

## Belt Conveyor Idlers - Engineering & Dimensions





**Precision Pulley and Idler (PPI)** was founded in 1977 with the goals of providing high-performance conveyor components and competitive pricing combined with unparalleled customer service.

These goals have not changed over the years, but in fact, have been enhanced. Every PPI employee is involved in the process of putting you, the customer, first. We listen to understand your needs and know that by responding quickly, we help improve your business profitability and potential. New product ideas and product changes are direct results of customer input.

The PPI staff of Production, Engineering, Quality Assurance, Customer Service, and Regional Sales People are dedicated to meeting your requirements for quality conveyor components.

We appreciate your business and support. You have our commitment that our goals for product performance, competitiveness, and service will continue as we respond to your requests for the finest conveyor components in the marketplace.

Retro Roll® & PPI® are registered trademarks of Precision Inc.  
Smart Roll™ & BeltSaver™ are trademarks of Precision Inc.  
Copyright © 2001-2010, Precision Pulley & Idler, All Rights Reserved



# Table of Contents

Idler Types & Applications .....	4
PPI Part Numbering .....	5

CEMA B Series Features & Details .....	6-7
Equal Trougher & Impact Trougher .....	8-9
Unequal Trougher, Flat, & Rubber Disc .....	10-11
Return, Channel Inset Flat, & Rubber Disc .....	12-13
Channel Inset Trougher & Return, & Rubber Disc .....	14-15
Self Aligners, (Trougher, Return & Flat) .....	16-17

**B**

CEMA C Series Features & Details .....	18-19
Equal Trougher & Impact Trougher .....	20-21
Unequal Trougher, Flat, & Rubber Disc .....	22-23
Return, V-Return, & Rubber Disc .....	24-25
Channel Inset Trougher & Return, & Rubber Disc .....	26-27
Channel Inset Flat, Live Shaft, & IVR & Rubber Disc .....	28-29
Self Aligners, (Trougher, Return & Flat) .....	30-31

**C**

CEMA D Series Features & Details .....	32-33
Equal Trougher & Impact Trougher .....	34-35
Unequal Trougher, Flat, & Rubber Disc .....	36-37
Return, V-Return, & Rubber Disc .....	38-39
Live Shaft, Inverted V-Return, & Rubber Disc .....	40-41
Self Aligners, (Trougher, Return & Flat) .....	42-43

**D**

CEMA E Series Features & Details .....	44-45
Equal Trougher & Impact Trougher .....	46-47
Unequal Trougher, Flat, & Rubber Disc .....	48-49
Return, V-Return, & Rubber Disc .....	50-51
Live Shaft, Inverted V-Return, & Rubber Disc .....	52-53
Self Aligners, (Trougher & Return) .....	54-55

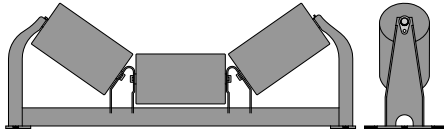
**E**

MOUNTING DETAILS (footpads & brackets) .....	56
Mounting Brackets (E, optional & IVR) .....	57
Guide Rollers .....	58
Stub Idlers .....	59

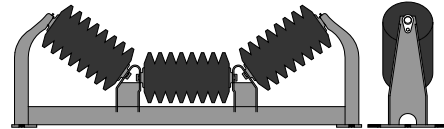
**REF.**

Specialty Products .....	60-62
Terms & Conditions .....	63

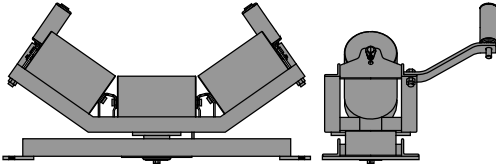
# Idler Types & Applications



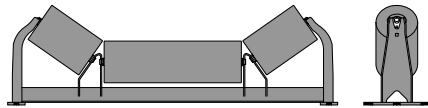
**Equal Troughing Idlers** support the belt and load in the transport section of the conveyor. Designed to meet or exceed the load limits established by the Conveyor Equipment Manufacturers Association (CEMA).



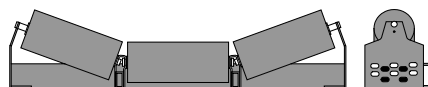
**Impact Troughing Idlers** are a special version of troughing idlers, providing a roll with cushioning rubber discs to lessen the belt damage due to impact from materials being loaded onto the belt. The frame is additionally reinforced to increase rigidity.



**Self-Aligning Idlers**, troughing, flat and return, assist in keeping the conveyor belt centered on the conveyor when temporary or transient conditions could result in belt misalignment.



**Unequal Troughing (Picking) Idlers** are used to reduce the height to aid in magnetic separation, picking, sorting, or manual separation. The inclined roll ends turn up the belt to minimize spillage. Rubber disc rolls are also available. The load ratings are greatly reduced from standard troughing idlers because most of the weight is on the long center roll.



**Channel Inset Troughing Idlers** are attached to a channel conveyor or other vertical surface by side mounting. They are used in tight clearance areas requiring a low profile. Rubber disc rolls are also available. Designed to interchange with other major brands.



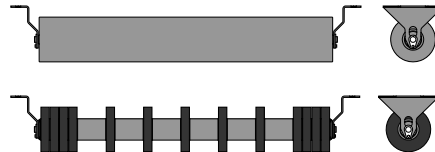
**Flat Carrier Idler** applications include picking, sorting, feeders, and package handling. Rubber disc rolls are also available. Load ratings are the same as return rolls and are greatly reduced from that of troughing idlers because of the long shaft length and having only two bearings.



**Live Shaft Idlers** with pillow block bearings provide an increased loading capacity. Available in solid and spaced rubber discs rolls and steel rolls.

**Return Idlers** support the belt during the return path and meet or exceed the CEMA load requirements.

Return and flat idlers (R, RRD, F, FRD, CIR, CIRRD, CIF, AND CIFRD types) in B,C, D, and E series should not be used in a snub pulley type application. Shafting, bearings, and brackets may be overloaded in such applications leading to premature failure.

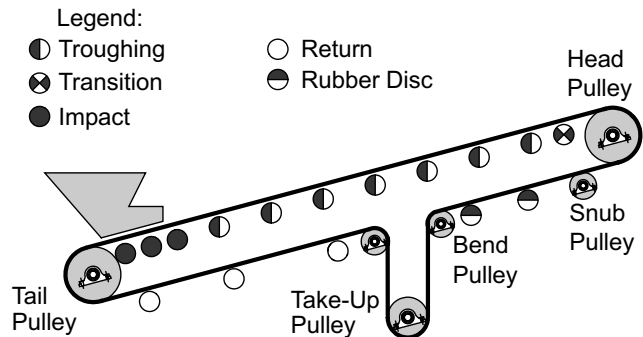


**Steel Tube** Used where materials are not sticky, corrosive, or abrasive.

**Rubber Disc** Used where sticky, corrosive, or abrasive materials are present. Massed end discs are standard.

**Covered Rolls** Used where very sticky or abrasive materials are present.

The following is a simplified conveyor used to illustrate basic belt conveyor components. Many variations of elevation, loading, discharge, idlers and idler spacing, pulleys, and accessories are possible.



## CEMA Reference & Interchange

CEMA Series	B	C	D	E
Precision	B	C	D	E
Continental	B, B+	HS, HG, HC	H+	SDX
FMC Linkbelt	B2000	C3000	D3000	E4000
Goodman/Jeffrey	B	C	D	E
Hewitt-Robins	B	B-C, 2000	3000	4000
Precismeca	PB	PC	PD	PE
Prok	01,15,20	01,15,21	25,30	45,50
Rexnord	B	C	D	E
Stephens-Adamson	2100	4100,4200	5100	6300
Superior	60,61	80,81	91	
Transall/North American	B	C	D	E



# Part Numbering System

C5-35TE-36SB

CEMA Series  
B, C, D, E

Roll Diameter  
B - 4, 5  
C - 4, 5, 6  
D - 5, 6  
E - 6, 7

Angle  
10°, 15°, 20°, 35°, 45°

Bearing Type  
SB = Sealed Ball Bearing

Belt Width  
B - 14 to 48"  
C - 18 to 60"  
D - 24 to 72"  
E - 36 to 96"

Frame Type - TE for Trougher Equal  
For others, see Idler Type list

Note: Angle does not apply to flat or standard return idlers.

Certain limitations apply, such as 10 for VR, 15 for IVR, and 20, 35 & 45 for TE

## Idler Type List

TE .....Trougher Equal  
TEI .....Trougher Equal Impact  
TESA .....Trougher Equal Self Aligner  
TU .....Trougher Unequal  
TUI .....Trougher Unequal Impact  
CIT .....Channel Inset Trougher  
CITI .....Channel Inset Trougher Impact  
F .....Flat  
FRD .....Flat Rubber Disc  
FSA .....Flat Self-Aligner  
CIF .....Channel Inset Flat  
CIFRD .....Channel Inset Flat Rubber Disc  
R .....Return  
RRD .....Return Rubber Disc  
RSA .....Return Self Aligner  
RRDSA .....Return Rubber Disc Self Aligner  
CIR .....Channel Inset Return  
CIRRD .....Channel Inset Return Rubber Disc

VR .....V-Return  
VRI .....V-Return Impact  
IVR .....Inverted V-Return  
IVRI .....Inverted V-Return Impact  
LSI .....Live Shaft Impact  
LSRRD .....Live Shaft Return Rubber Disc  
LSR .....Live Shaft Return (Steel)  
TIS .....Trougher Impact System  
TISZ .....Trougher Impact System – 2 Foot  
EZI .....EZSlider with Impact Rolls  
TET .....Trougher Equal Transition  
GRT .....Guide Roll Trougher  
GRF .....Guide Roll Flat  
GRR .....Guide Roll Return  
SADxCSR .....Smart Roll Clean Side Return

*For other types, consult your local PPI Distributor and/or Rep.*

*The Idler Selection Guide can be downloaded from our website at <http://www.ppipella.com>, just click on Catalogs.*

*For Replacement Rolls, Clips, Brackets, etc. (as well as special brackets) see the PPI Idler Replacement Parts Catalog, available on our website at <http://www.ppipella.com>, just click on Catalogs*

**Figures used in this catalog are for dimensional reference only. Some variation may occur from the illustrations.**

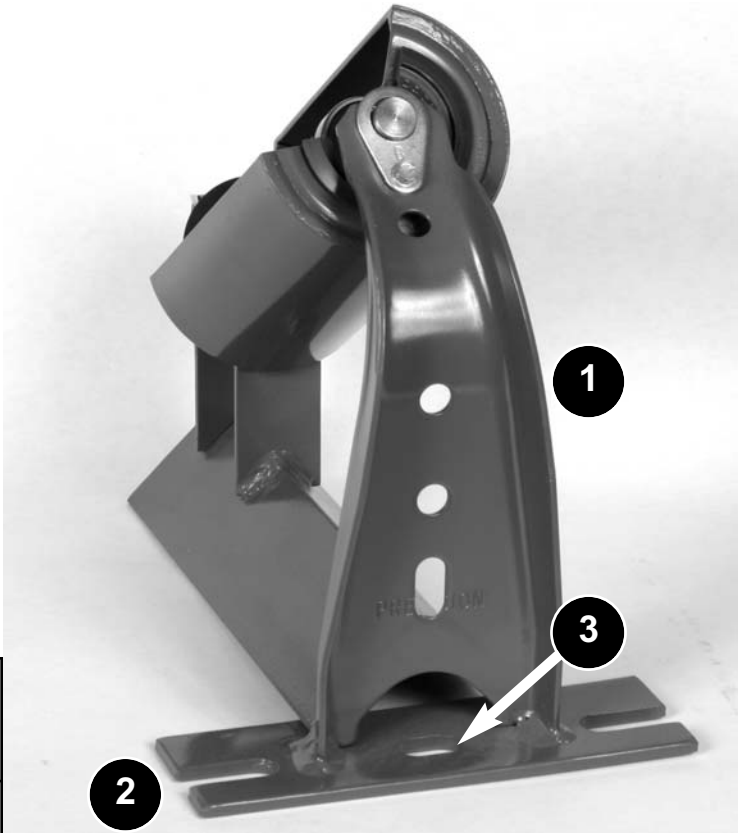
**B**

# B Series Idler Features

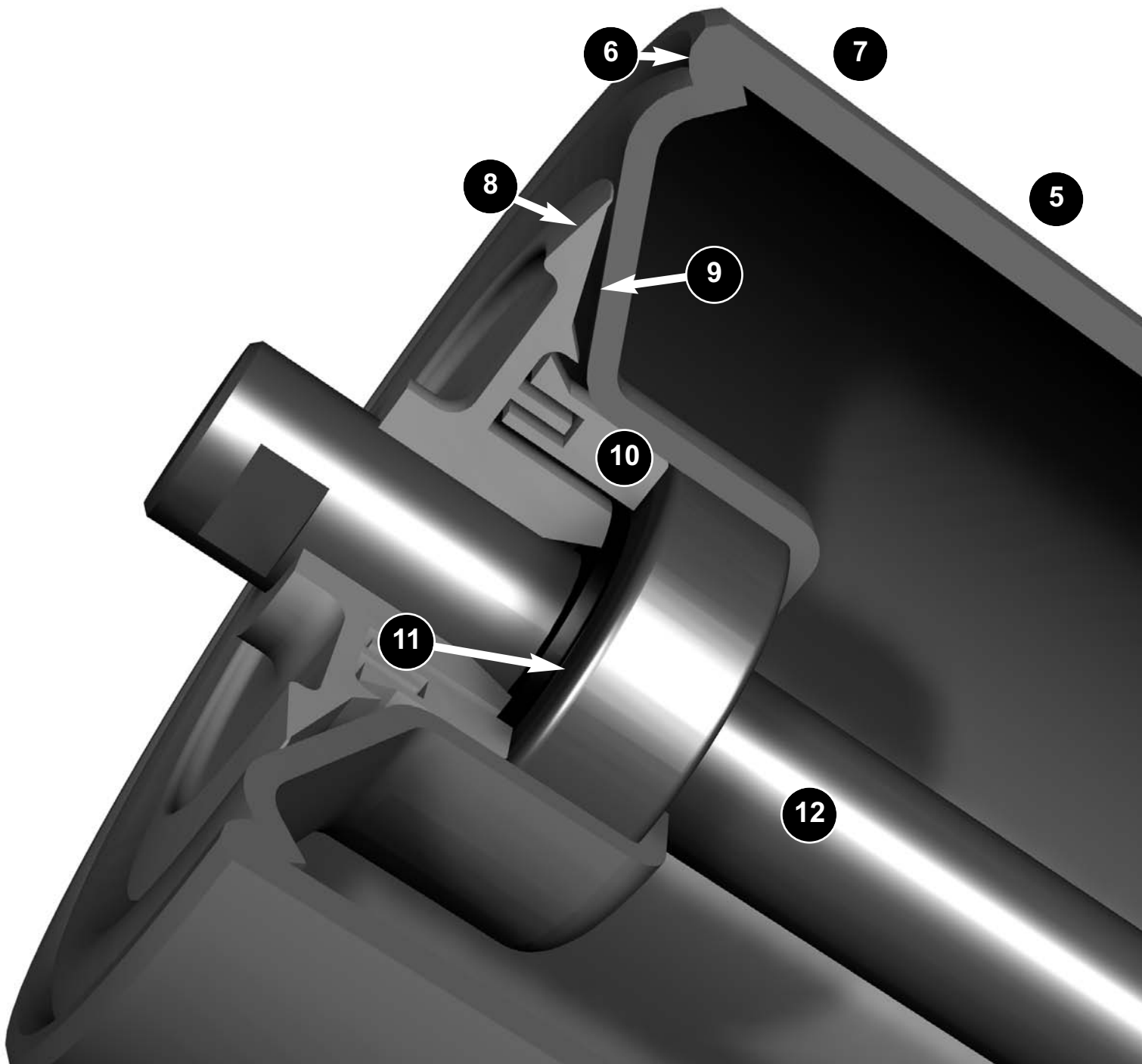
The B Series idler that sets a standard for the industry

- Designed and manufactured for a long trouble free life with no greasing
- Maintenance free high quality sealed ball bearings
- Conform to CEMA standards for dimensions and meet or exceed B series load ratings

CEMA B LOAD RATINGS						
BELT WIDTH	TROUGHING ANGLE			RETURN & FLAT	UNEQUAL	
	20°	35°	45°		20°	35°
18	410	410	410	220		
24	410	410	410	190	360	410
30	410	410	410	165	240	390
36	410	410	369	155	200	240
42	390	363	351	140	170	240
48	390	353	342	125	160	200



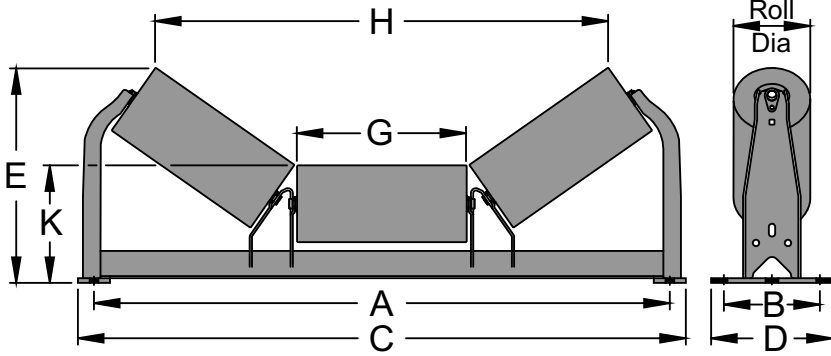
1. Deep formed channel end brackets to handle the loads
2. Heavy Duty long foot pads for two bolt mounting to alleviate frame rocking
3. Single center bolt mounting option
4. Minimal roll gaps



- 5. Extremely low T.I.R. or runout
- 6. Roll end welds protected from belt wear
- 7. Full thickness tubing for the entire length of the roll
- 8. Large diameter stationary outer seal
- 9. Highly effective flinger (centrifugal) seal
- 10. Effective radial and labyrinth seals
- 11. High Quality Ball Bearing with manufacturer's contact seal & grease
- 12. Solid steel shaft

# CEMA B Equal Trougher

\*Note: 16" belt width G=6 3/4" for center roll, and 5 7/16" for wing roll.



Belt Width	Standard Dimensions				
	A	B	C	D	G*
14	23	6	25	8	5 7/16
16	25	6	27	8	6 3/4
18	27	6	29	8	6 3/4
20	29	6	31	8	7 5/8
24	33	6	35	8	8 15/16
30	39	6	41	8	11 1/8
36	45	6	47	8	13 1/4
42	51	7 1/2	53 1/2	9 1/2	15 7/16
48	57	7 1/2	59 1/2	9 1/2	17 5/8

## 20° Equal Trougher

Belt Width	4" Roll Dia					5" Roll Dia				
	Part Number	E	H	K	WT	Part Number	E	H	K	WT
14	B4-20TE-14SB	9 1/16	16 15/16	7	25	B5-20TE-14SB	9 1/2	16 9/16	7 1/2	28
16	B4-20TE-16SB	9 1/16	18 1/4	7	26	B5-20TE-16SB	9 1/2	17 7/8	7 1/2	29
18	B4-20TE-18SB	9 7/16	20 11/16	7	28	B5-20TE-18SB	9 15/16	20 3/8	7 1/2	32
20	B4-20TE-20SB	9 13/16	23 1/4	7	30	B5-20TE-20SB	10 1/4	22 7/8	7 1/2	34
24	B4-20TE-24SB	10 1/4	26 15/16	7	33	B5-20TE-24SB	10 11/16	26 11/16	7 1/2	38
30	B4-20TE-30SB	10 15/16	33 5/16	7	39	B5-20TE-30SB	11 7/16	32 15/16	7 1/2	43
36	B4-20TE-36SB	11 11/16	39 7/16	7	44	B5-20TE-36SB	12 3/16	39 1/16	7 1/2	49
42	B4-20TE-42SB	12 15/16	45 3/4	7 1/2	54	B5-20TE-42SB	13 7/16	45 3/8	8	60
48	B4-20TE-48SB	13 11/16	52 1/16	7 1/2	60	B5-20TE-48SB	14 3/16	51 11/16	8	66

## 35° Equal Trougher

Belt Width	4" Roll Dia					5" Roll Dia				
	Part Number	E	H	K	WT	Part Number	E	H	K	WT
14	B4-35TE-14SB	10 1/4	15 1/2	7	26	B5-35TE-14SB	10 11/16	14 7/8	7 1/2	29
16	B4-35TE-16SB	10 1/4	16 13/16	7	27	B5-35TE-16SB	10 11/16	16 1/4	7 1/2	30
18	B4-35TE-18SB	10 15/16	18 15/16	7	29	B5-35TE-18SB	11 3/8	18 3/8	7 1/2	32
20	B4-35TE-20SB	11 1/2	21 1/4	7	31	B5-35TE-20SB	11 15/16	20 11/16	7 1/2	35
24	B4-35TE-24SB	12 1/4	24 11/16	7	34	B5-35TE-24SB	12 5/8	24 1/8	7 1/2	39
30	B4-35TE-30SB	13 1/2	30 1/2	7	40	B5-35TE-30SB	13 15/16	29 7/8	7 1/2	45
36	B4-35TE-36SB	14 11/16	36 1/8	7	45	B5-35TE-36SB	15 1/8	35 1/2	7 1/2	51
42	B4-35TE-42SB	16 7/16	41 7/8	7 1/2	56	B5-35TE-42SB	16 7/8	41 1/4	8	62
48	B4-35TE-48SB	17 11/16	47 5/8	7 1/2	62	B5-35TE-48SB	18 1/8	47 1/16	8	69

## 45° Equal Trougher

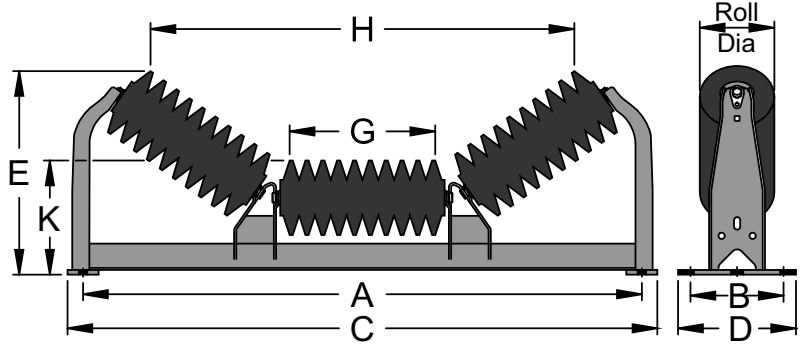
Belt Width	4" Roll Dia					5" Roll Dia				
	Part Number	E	H	K	WT	Part Number	E	H	K	WT
14	B4-45TE-14SB	11 3/16	14 1/8	7	27	B5-45TE-14SB	11 1/2	13 7/16	7 1/2	30
16	B4-45TE-16SB	11 3/16	15 7/16	7	28	B5-45TE-16SB	11 1/2	14 11/16	7 1/2	31
18	B4-45TE-18SB	12 1/8	17 1/4	7	31	B5-45TE-18SB	12 7/16	16 9/16	7 1/2	34
20	B4-45TE-20SB	12 11/16	19 3/8	7	33	B5-45TE-20SB	13 1/16	18 11/16	7 1/2	36
24	B4-45TE-24SB	13 5/8	22 9/16	7	35	B5-45TE-24SB	13 15/16	21 7/8	7 1/2	40
30	B4-45TE-30SB	15 3/16	27 11/16	7	41	B5-45TE-30SB	15 9/16	27 1/8	7 1/2	46
36	B4-45TE-36SB	16 11/16	32 15/16	7	47	B5-45TE-36SB	17 1/16	32 1/4	7 1/2	53
42	B4-45TE-42SB	18 11/16	38 1/4	7 1/2	63	B5-45TE-42SB	19 1/16	37 9/16	8	69
48	B4-45TE-48SB	20 1/4	43 9/16	7 1/2	68	B5-45TE-48SB	20 5/8	42 13/16	8	75



# CEMA B Equal Impact Trougher

\*Note: 16" belt width G=4 5/8" for center roll, and 3 5/16" for wing roll.

Belt Width	Standard Dimensions				
	A	B	C	D	G*
14	23	6	25	8	3 5/16
16	25	6	27	8	4 5/8
18	27	6	29	8	4 5/8
20	29	6	31	8	5 1/2
24	33	6	35	8	6 13/16
30	39	6	41	8	9
36	45	6	47	8	11 1/8
42	51	7 1/2	53 1/2	9 1/2	13 5/16
48	57	7 1/2	59 1/2	9 1/2	15 1/2



# B

## 20° Equal Impact Trougher

Belt Width	4" Roll Dia					5" Roll Dia				
	Part Number	E	H	K	WT	Part Number	E	H	K	WT
14	B4-20TEI-14SB	8 11/16	14 15/16	7	31	B5-20TEI-14SB	9 1/8	14 9/16	7 1/2	36
16	B4-20TEI-16SB	8 11/16	16 1/4	7	35	B5-20TEI-16SB	9 1/8	15 7/8	7 1/2	40
18	B4-20TEI-18SB	9 1/16	18 11/16	7	37	B5-20TEI-18SB	9 9/16	18 3/8	7 1/2	43
20	B4-20TEI-20SB	9 7/16	21 1/4	7	41	B5-20TEI-20SB	9 7/8	20 7/8	7 1/2	49
24	B4-20TEI-24SB	9 7/8	24 15/16	7	47	B5-20TEI-24SB	10 5/16	24 11/16	7 1/2	56
30	B4-20TEI-30SB	10 9/16	31 5/16	7	56	B5-20TEI-30SB	11 1/16	30 15/16	7 1/2	65
36	B4-20TEI-36SB	11 5/16	37 7/16	7	66	B5-20TEI-36SB	11 13/16	37 1/16	7 1/2	77
42	B4-20TEI-42SB	12 9/16	43 3/4	7 1/2	81	B5-20TEI-42SB	13 1/16	43 3/8	8	95
48	B4-20TEI-48SB	13 5/16	50 1/16	7 1/2	92	B5-20TEI-48SB	13 13/16	49 11/16	8	107

## 35° Equal Impact Trougher

Belt Width	4" Roll Dia					5" Roll Dia				
	Part Number	E	H	K	WT	Part Number	E	H	K	WT
14	B4-35TEI-14SB	9 5/8	13 3/4	7	32	B5-35TEI-14SB	10 1/16	13 1/8	7 1/2	37
16	B4-35TEI-16SB	9 5/8	15 1/16	7	36	B5-35TEI-16SB	10 1/16	14 1/2	7 1/2	41
18	B4-35TEI-18SB	10 5/16	17 3/16	7	38	B5-35TEI-18SB	10 3/4	16 5/8	7 1/2	44
20	B4-35TEI-20SB	10 7/8	19 1/2	7	42	B5-35TEI-20SB	11 5/16	18 15/16	7 1/2	50
24	B4-35TEI-24SB	11 5/8	22 15/16	7	48	B5-35TEI-24SB	12	22 3/8	7 1/2	57
30	B4-35TEI-30SB	12 7/8	28 3/4	7	60	B5-35TEI-30SB	13 5/16	28 1/8	7 1/2	67
36	B4-35TEI-36SB	14 1/16	34 3/8	7	68	B5-35TEI-36SB	14 1/2	33 3/4	7 1/2	79
42	B4-35TEI-42SB	15 13/16	40 1/8	7 1/2	83	B5-35TEI-42SB	16 1/4	39 1/2	8	96
48	B4-35TEI-48SB	17 1/16	45 7/8	7 1/2	95	B5-35TEI-48SB	17 1/2	45 5/16	8	109

## 45° Equal Impact Trougher

Belt Width	4" Roll Dia					5" Roll Dia				
	Part Number	E	H	K	WT	Part Number	E	H	K	WT
14	B4-45TEI-14SB	10 7/16	12 5/8	7	33	B5-45TEI-14SB	10 3/4	11 15/16	7 1/2	38
16	B4-45TEI-16SB	10 7/16	13 15/16	7	37	B5-45TEI-16SB	10 3/4	13 3/16	7 1/2	42
18	B4-45TEI-18SB	11 3/8	15 3/4	7	39	B5-45TEI-18SB	11 11/16	15 1/16	7 1/2	45
20	B4-45TEI-20SB	11 15/16	17 7/8	7	43	B5-45TEI-20SB	12 5/16	17 3/16	7 1/2	51
24	B4-45TEI-24SB	12 7/8	21 1/16	7	49	B5-45TEI-24SB	13 3/16	20 3/8	7 1/2	58
30	B4-45TEI-30SB	14 7/16	26 3/16	7	58	B5-45TEI-30SB	14 13/16	25 5/8	7 1/2	68
36	B4-45TEI-36SB	15 15/16	31 7/16	7	70	B5-45TEI-36SB	16 5/16	30 3/4	7 1/2	81
42	B4-45TEI-42SB	17 15/16	36 3/4	7 1/2	90	B5-45TEI-42SB	18 5/16	36 1/16	8	103
48	B4-45TEI-48SB	19 1/2	42 1/16	7 1/2	102	B5-45TEI-48SB	19 7/8	41 5/16	8	117

For Mounting Details, see pages 56 & 57.

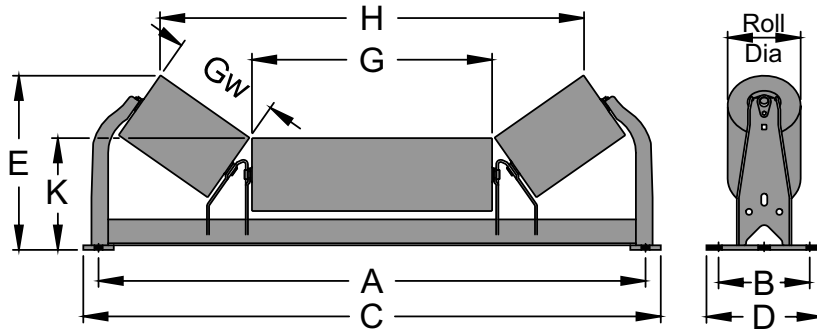
800.247.1228

www.ppipella.com



Subject to change without notice

# CEMA B Unequal Trougher & Flat Carrier



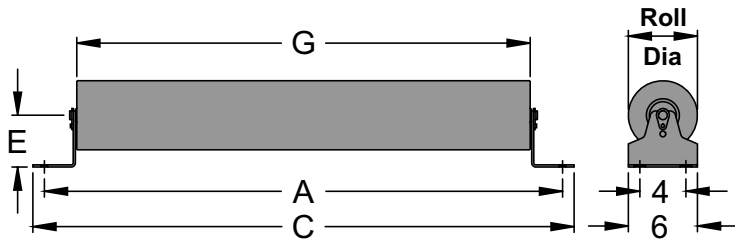
Belt Width	Standard Dimensions			
	A	B	C	D
24	33	6	35	8
30	39	6	41	8
36	45	6	47	8
42	51	7 1/2	53 1/2	9 1/2
48	57	7 1/2	59 1/2	9 1/2

## 20° Unequal Trougher

Belt Width	4" Roll Dia					5" Roll Dia					G	Gw
	Part Number	E	H	K	WT	Part Number	E	H	K	WT		
24	B4-20TU-24SB	9 1/16	26 15/16	7	33	B5-20TU-24SB	9 7/16	26 9/16	7 1/2	37	15 7/16	5 7/16
30	B4-20TU-30SB	9 1/16	32 7/8	7	38	B5-20TU-30SB	9 7/16	32 1/2	7 1/2	43	21 3/8	5 7/16
36	B4-20TU-36SB	9 1/16	38 7/8	7	43	B5-20TU-36SB	9 7/16	38 1/2	7 1/2	48	27 3/8	5 7/16
42	B4-20TU-42SB	9 9/16	44 7/8	7 1/2	53	B5-20TU-42SB	9 15/16	44 1/2	8	59	33 3/8	5 7/16
48	B4-20TU-48SB	9 9/16	50 7/8	7 1/2	58	B5-20TU-48SB	9 15/16	50 1/2	8	64	39 3/8	5 7/16

## 35° Unequal Trougher

Belt Width	4" Roll Dia					5" Roll Dia					G	Gw
	Part Number	E	H	K	WT	Part Number	E	H	K	WT		
24	B4-35TU-24SB	11	25 7/16	7	35	B5-35TU-24SB	11 3/8	24 7/8	7 1/2	39	13 1/4	6 3/4
30	B4-35TU-30SB	12 1/4	31 1/4	7	40	B5-35TU-30SB	12 5/8	30 11/16	7 1/2	45	15 7/16	8 15/16
36	B4-35TU-36SB	12 1/4	37 1/8	7	45	B5-35TU-36SB	12 5/8	36 9/16	7 1/2	50	21 3/8	8 15/16
42	B4-35TU-42SB	14	40 3/16	7 1/2	56	B5-35TU-42SB	14 3/8	40 3/4	8	64	21 3/8	11 1/8
48	B4-35TU-48SB	14	46 3/4	7 1/2	63	B5-35TU-48SB	14 3/8	46	8	70	27 3/8	11 1/8



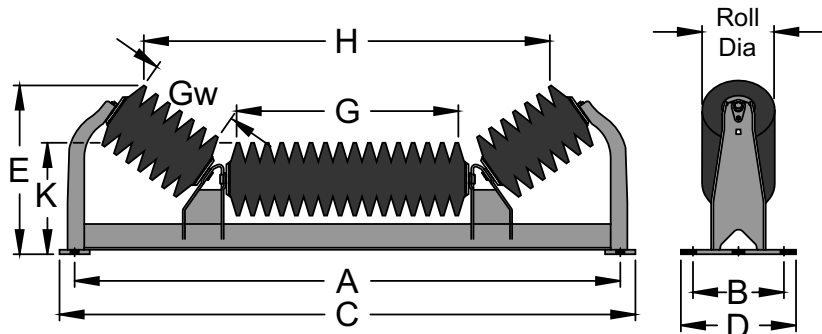
Operation & Maintenance manuals can be downloaded from our website at <http://www.ppipella.com>

## Flat Carrier

Belt Width	4" Roll Dia				5" Roll Dia				Standard Dimensions		
	E=4 1/2"		E=1 1/2"		E=4 1/2"		E=1 1/2"		A	C	G
	Part Number	WT	Part Number	WT	Part Number	WT	Part Number	WT			
14	B4-F-14SB	17	B4-F-14SB-1	16	B5-F-14SB	19	B5-F-14SB-1	18	23	25	17 3/8
16	B4-F-16SB	18	B4-F-16SB-1	17	B5-F-16SB	20	B5-F-16SB-1	19	25	27	19 3/8
18	B4-F-18SB	19	B4-F-18SB-1	18	B5-F-18SB	21	B5-F-18SB-1	20	27	29	21 3/8
20	B4-F-20SB	20	B4-F-20SB-1	19	B5-F-20SB	23	B5-F-20SB-1	22	29	31	23 3/8
24	B4-F-24SB	22	B4-F-24SB-1	21	B5-F-24SB	25	B5-F-24SB-1	24	33	35	27 3/8
30	B4-F-30SB	25	B4-F-30SB-1	24	B5-F-30SB	29	B5-F-30SB-1	28	39	41	33 3/8
36	B4-F-36SB	28	B4-F-36SB-1	27	B5-F-36SB	32	B5-F-36SB-1	31	45	47	39 3/8
42	B4-F-42SB	31	B4-F-42SB-1	30	B5-F-42SB	36	B5-F-42SB-1	35	51	53	45 3/8
48	B4-F-48SB	34	B4-F-48SB-1	33	B5-F-48SB	39	B5-F-48SB-1	38	57	59	51 3/8

# CEMA B Unequal Impact Trougher & Flat Carrier

Belt Width	Standard Dimensions			
	A	B	C	D
24	33	6	35	8
30	39	6	41	8
36	45	6	47	8
42	51	7 1/2	53 1/2	9 1/2
48	57	7 1/2	59 1/2	9 1/2



**B**

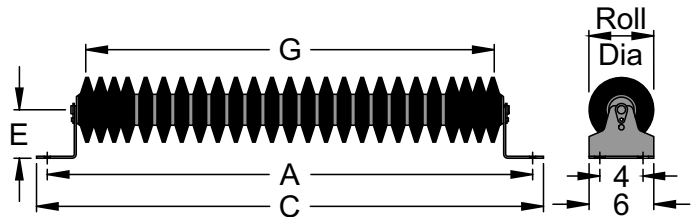
## 20° Unequal Impact Trougher

Belt Width	4" Roll Dia					5" Roll Dia					G	Gw
	Part Number	E	H	K	WT	Part Number	E	H	K	WT		
24	B4-20TUI-24SB	8 11/16	24 15/16	7	46	B5-20TUI-24SB	9 1/16	24 9/16	7 1/2	54	13 5/16	3 5/16
30	B4-20TUI-30SB	8 11/16	30 7/8	7	55	B5-20TUI-30SB	9 1/16	30 1/2	7 1/2	61	19 1/4	3 5/16
36	B4-20TUI-36SB	8 11/16	36 7/8	7	62	B5-20TUI-36SB	9 1/16	36 1/2	7 1/2	68	25 1/4	3 5/16
42	B4-20TUI-42SB	9 3/16	42 7/8	7 1/2	75	B5-20TUI-42SB	9 9/16	42 1/2	8	80	31 1/4	3 5/16
48	B4-20TUI-48SB	9 3/16	48 7/8	7 1/2	85	B5-20TUI-48SB	9 9/16	48 1/2	8	99	37 1/4	3 5/16

## 35° Unequal Impact Trougher

Belt Width	4" Roll Dia					5" Roll Dia					G	Gw
	Part Number	E	H	K	WT	Part Number	E	H	K	WT		
24	B4-35TUI-24SB	10 3/8	23 11/16	7	47	B5-35TUI-24SB	10 3/4	23 1/8	7 1/2	51	11 1/8	4 5/8
30	B4-35TUI-30SB	11 5/8	29 1/2	7	58	B5-35TUI-30SB	12	28 15/16	7 1/2	63	13 5/16	6 13/16
36	B4-35TUI-36SB	11 5/8	35 3/8	7	66	B5-35TUI-36SB	12	34 13/16	7 1/2	70	19 1/4	6 13/16
42	B4-35TUI-42SB	13 3/8	38 7/16	7 1/2	79	B5-35TUI-42SB	13 3/4	39	8	91	19 1/4	9
48	B4-35TUI-48SB	13 3/8	45	7 1/2	93	B5-35TUI-48SB	13 3/4	44 1/4	8	99	25 1/4	9

For Idler Replacement Parts & Special Mounting Brackets, download our Idler Replacement Parts Catalog at <http://www.ppipella.com>



## Flat Carrier Rubber Disc

Belt Width	4" Roll Dia				5" Roll Dia				Standard Dimensions		
	E=4 1/2"		E=1 1/2"		E=4 1/2"		E=1 1/2"		A	C	G
	Part Number	WT	Part Number	WT	Part Number	WT	Part Number	WT			
14	B4-FRD-14SB	20	B4-FRD-14SB-1	19	B5-FRD-14SB	27	B5-FRD-14SB-1	26	23	25	15 1/4
16	B4-FRD-16SB	22	B4-FRD-16SB-1	21	B5-FRD-16SB	29	B5-FRD-16SB-1	28	25	27	17 1/4
18	B4-FRD-18SB	23	B4-FRD-18SB-1	22	B5-FRD-18SB	31	B5-FRD-18SB-1	30	27	29	19 1/4
20	B4-FRD-20SB	25	B4-FRD-20SB-1	24	B5-FRD-20SB	33	B5-FRD-20SB-1	32	29	31	21 1/4
24	B4-FRD-24SB	28	B4-FRD-24SB-1	27	B5-FRD-24SB	36	B5-FRD-24SB-1	35	33	35	25 1/4
30	B4-FRD-30SB	33	B4-FRD-30SB-1	32	B5-FRD-30SB	43	B5-FRD-30SB-1	42	39	41	31 1/4
36	B4-FRD-36SB	39	B4-FRD-36SB-1	38	B5-FRD-36SB	50	B5-FRD-36SB-1	49	45	47	37 1/4
42	B4-FRD-42SB	44	B4-FRD-42SB-1	43	B5-FRD-42SB	57	B5-FRD-42SB-1	56	51	53	43 1/4
48	B4-FRD-48SB	50	B4-FRD-48SB-1	49	B5-FRD-48SB	63	B5-FRD-48SB-1	62	57	59	49 1/4

For Mounting Details, see pages 56 & 57.

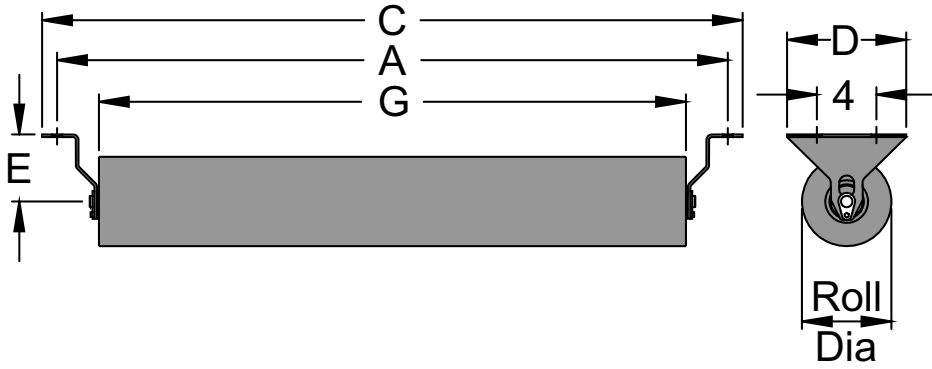
800.247.1228

www.ppipella.com



Subject to change without notice

# CEMA B Return & CIF

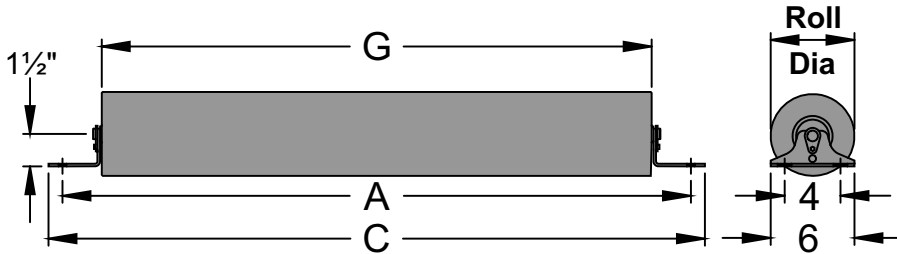


Operation & Maintenance manuals can be downloaded from our website at <http://www.ppipella.com>

**B**

## Return

Belt Width	4" Roll Dia						5" Roll Dia						Standard Dimensions		
	E=4½"			E=1½"			E=4½"			E=1½"					
	Part Number	D	WT	Part Number	D	WT	Part Number	D	WT	Part Number	D	WT	A	C	G
14	B4-R-14SB	8	14	B4-R-14SB-1	6	13	B5-R-14SB	8	17	B5-R-14SB-1	6	16	23	25	17 3/8
16	B4-R-16SB	8	15	B4-R-16SB-1	6	14	B5-R-16SB	8	18	B5-R-16SB-1	6	17	25	27	19 3/8
18	B4-R-18SB	8	16	B4-R-18SB-1	6	15	B5-R-18SB	8	19	B5-R-18SB-1	6	18	27	29	21 3/8
20	B4-R-20SB	8	17	B4-R-20SB-1	6	16	B5-R-20SB	8	20	B5-R-20SB-1	6	19	29	31	23 3/8
24	B4-R-24SB	8	19	B4-R-24SB-1	6	18	B5-R-24SB	8	23	B5-R-24SB-1	6	22	33	35	27 3/8
30	B4-R-30SB	8	22	B4-R-30SB-1	6	21	B5-R-30SB	8	26	B5-R-30SB-1	6	25	39	41	33 3/8
36	B4-R-36SB	8	25	B4-R-36SB-1	6	24	B5-R-36SB	8	30	B5-R-36SB-1	6	29	45	47	39 3/8
42	B4-R-42SB	8	28	B4-R-42SB-1	6	27	B5-R-42SB	8	33	B5-R-42SB-1	6	32	51	53	45 3/8
48	B4-R-48SB	8	31	B4-R-48SB-1	6	30	B5-R-48SB	8	37	B5-R-48SB-1	6	36	57	59	51 3/8



For Mounting Details, see pages 56 & 57.

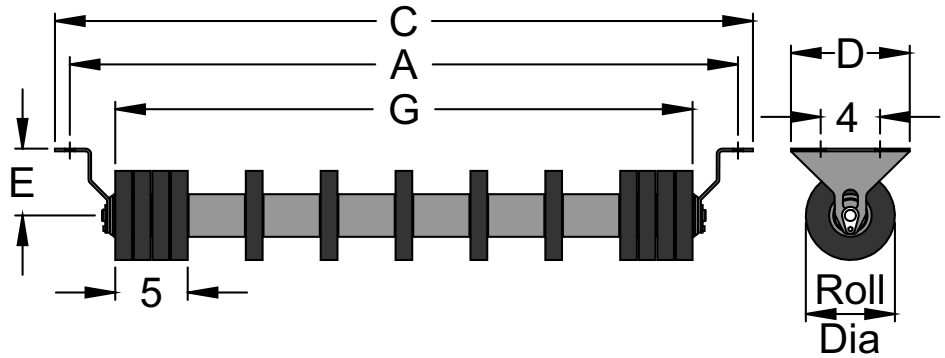
## Channel Inset Flat Carrier

Belt Width	4" Roll Dia		5" Roll Dia		Standard Dimensions		
	Part Number	WT	Part Number	WT	A	C	G
14	B4-CIF-14SB	14	B5-CIF-14SB	16	22	24	16 1/2
16	B4-CIF-16SB	15	B5-CIF-16SB	17	24	26	18 1/2
18	B4-CIF-18SB	16	B5-CIF-18SB	18	26	28	20 1/2
20	B4-CIF-20SB	17	B5-CIF-20SB	19	28	30	22 1/2
24	B4-CIF-24SB	19	B5-CIF-24SB	22	32	34	26 1/2
30	B4-CIF-30SB	22	B5-CIF-30SB	26	38	40	32 1/2
36	B4-CIF-36SB	25	B5-CIF-36SB	29	44	46	38 1/2
42	B4-CIF-42SB	27	B5-CIF-42SB	33	50	52	44 1/2
48	B4-CIF-48SB	31	B5-CIF-48SB	36	56	58	50 1/2



# CEMA B Return Rubber Disc & CIFRD

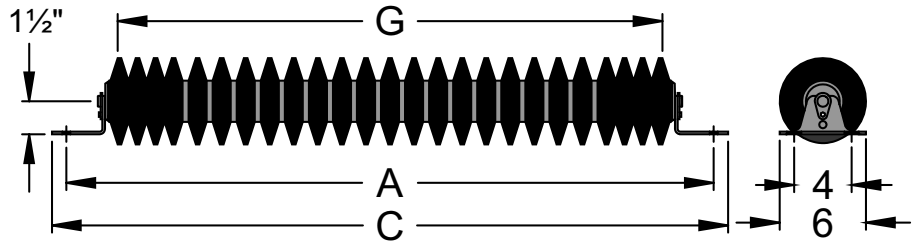
For Idler Replacement Parts & Special Mounting Brackets, download our Idler Replacement Parts Catalog at <http://www.ppipella.com>



**B**

Return Rubber Disc															
Belt Width	4" Roll Dia						5" Roll Dia						Standard Dimensions		
	E=4 1/2"			E=1 1/2"			E=4 1/2"			E=1 1/2"					
	Part Number	D	WT	Part Number	D	WT	Part Number	D	WT	Part Number	D	WT	A	C	G
14	B4-RRD-14SB	8	18	B4-RRD-14SB-1	6	17	B5-RRD-14SB	8	22	B5-RRD-14SB-1	6	21	23	25	16 1/4
16	B4-RRD-16SB	8	20	B4-RRD-16SB-1	6	19	B5-RRD-16SB	8	24	B5-RRD-16SB-1	6	23	25	27	18 1/4
18	B4-RRD-18SB	8	21	B4-RRD-18SB-1	6	20	B5-RRD-18SB	8	25	B5-RRD-18SB-1	6	24	27	29	20 1/4
20	B4-RRD-20SB	8	22	B4-RRD-20SB-1	6	21	B5-RRD-20SB	8	26	B5-RRD-20SB-1	6	25	29	31	22 1/4
24	B4-RRD-24SB	8	24	B4-RRD-24SB-1	6	23	B5-RRD-24SB	8	29	B5-RRD-24SB-1	6	28	33	35	26 1/4
30	B4-RRD-30SB	8	28	B4-RRD-30SB-1	6	27	B5-RRD-30SB	8	33	B5-RRD-30SB-1	6	32	39	41	32 1/4
36	B4-RRD-36SB	8	33	B4-RRD-36SB-1	6	32	B5-RRD-36SB	8	37	B5-RRD-36SB-1	6	36	45	47	38 1/4
42	B4-RRD-42SB	8	35	B4-RRD-42SB-1	6	34	B5-RRD-42SB	8	41	B5-RRD-42SB-1	6	40	51	53	44 1/4
48	B4-RRD-48SB	8	39	B4-RRD-48SB-1	6	38	B5-RRD-48SB	8	45	B5-RRD-48SB-1	6	44	57	59	50 1/4

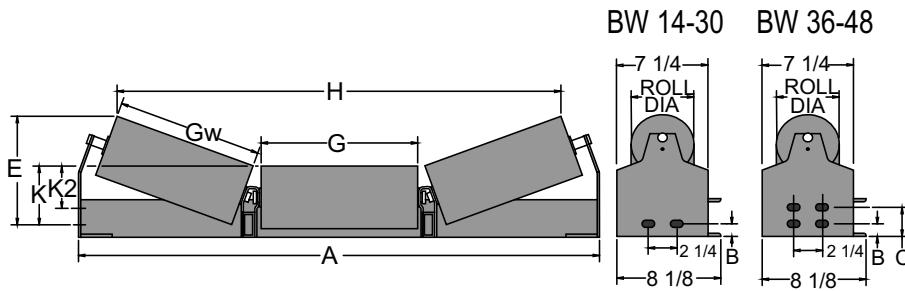
For Mounting Details, see pages 56 & 57.



Channel Inset Flat Impact							
Belt Width	4" Roll Dia		5" Roll Dia		Standard Dimensions		
	Part Number	WT	Part Number	WT	A	C	G
14	B4-CIFRD-14SB	17	B5-CIFRD-14SB	23	22	24	14 3/8
16	B4-CIFRD-16SB	19	B5-CIFRD-16SB	25	24	26	16 3/8
18	B4-CIFRD-18SB	21	B5-CIFRD-18SB	28	26	28	18 3/8
20	B4-CIFRD-20SB	23	B5-CIFRD-20SB	31	28	30	20 3/8
24	B4-CIFRD-24SB	26	B5-CIFRD-24SB	34	32	34	24 3/8
30	B4-CIFRD-30SB	32	B5-CIFRD-30SB	41	38	40	30 3/8
36	B4-CIFRD-36SB	37	B5-CIFRD-36SB	48	44	46	36 3/8
42	B4-CIFRD-42SB	43	B5-CIFRD-42SB	55	50	52	42 3/8
48	B4-CIFRD-48SB	48	B5-CIFRD-48SB	62	56	58	48 3/8

# CEMA B Channel Inset Trougher & Return

Belt Width	Standard Dimensions				
	A	B	C	G	Gw
14	19 5/8	1 5/8	-	5	4
16	21 5/8	1 5/8	-	5 3/4	4 3/4
18	23 5/8	1 5/8	-	6 1/2	5 1/2
20	25 5/8	1 5/8	-	7 1/8	6 1/8
24	29 5/8	1 5/8	-	8 1/2	7 1/2
30	35 5/8	1 5/8	-	10 1/2	9 1/2
36	41 5/8	1	2 5/16	12 1/2	11 1/2
42	47 5/8	1	2 5/16	18 1/2	11 1/2
48	53 5/8	1	2 5/16	24 1/2	11 1/2

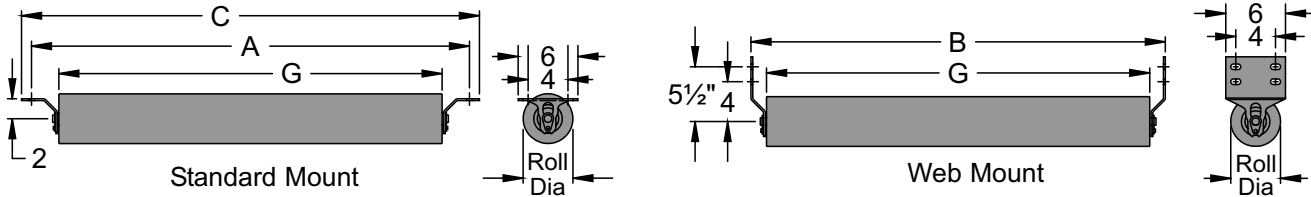


## 20° Channel Inset Trougher

Belt Width	4" Roll Dia						5" Roll Dia					
	Part Number	E	H	K	K2	WT	Part Number	E	H	K	K2	WT
14	B4-20CIT-14SB	4 3/4	13 13/16	3 3/8	-	22	B5-20CIT-14SB	5 1/4	13 7/16	3 7/8	-	24
16	B4-20CIT-16SB	5 1/16	15 15/16	3 3/8	-	23	B5-20CIT-16SB	5 1/2	15 5/8	3 7/8	-	26
18	B4-20CIT-18SB	5 1/4	18 1/16	3 3/8	-	25	B5-20CIT-18SB	5 3/4	17 3/4	3 7/8	-	28
20	B4-20CIT-20SB	5 1/2	19 7/8	3 3/8	-	27	B5-20CIT-20SB	5 15/16	19 9/16	3 7/8	-	30
24	B4-20CIT-24SB	5 15/16	23 7/8	3 3/8	-	31	B5-20CIT-24SB	6 7/16	23 1/2	3 7/8	-	34
30	B4-20CIT-30SB	6 11/16	29 5/8	3 3/8	-	36	B5-20CIT-30SB	7 1/8	29 1/4	3 7/8	-	40
36	B4-20CIT-36SB	8	35 3/8	4	2 11/16	41	B5-20CIT-36SB	8 7/16	35 1/16	4 1/2	3 3/16	46
42	B4-20CIT-42SB	8	41 3/8	4	2 11/16	46	B5-20CIT-42SB	8 7/16	41 1/16	4 1/2	3 3/16	52
48	B4-20CIT-48SB	8	47 3/8	4	2 11/16	51	B5-20CIT-48SB	8 7/16	47 1/16	4 1/2	3 3/16	57

## 35° Channel Inset Trougher

Belt Width	4" Roll Dia						5" Roll Dia					
	Part Number	E	H	K	K2	WT	Part Number	E	H	K	K2	WT
14	B4-35CIT-14SB	5 11/16	12 11/16	3 3/8	-	22	B5-35CIT-14SB	6 1/8	12 1/8	3 7/8	-	25
16	B4-35CIT-16SB	6 1/8	14 11/16	3 3/8	-	24	B5-35CIT-16SB	6 1/2	14 1/8	3 7/8	-	27
18	B4-35CIT-18SB	6 9/16	16 5/8	3 3/8	-	26	B5-35CIT-18SB	6 15/16	16 1/16	3 7/8	-	29
20	B4-35CIT-20SB	6 15/16	18 5/16	3 3/8	-	28	B5-35CIT-20SB	7 3/8	17 3/4	3 7/8	-	31
24	B4-35CIT-24SB	7 3/4	21 15/16	3 3/8	-	32	B5-35CIT-24SB	8 1/8	21 5/16	3 7/8	-	35
30	B4-35CIT-30SB	8 7/8	27 3/16	3 3/8	-	37	B5-35CIT-30SB	9 1/4	26 5/8	3 7/8	-	41
36	B4-35CIT-36SB	10 5/8	32 1/2	4	2 11/16	43	B5-35CIT-36SB	11 1/16	31 15/16	4 1/2	7 1/2	47
42	B4-35CIT-42SB	10 5/8	38 1/2	4	2 11/16	47	B5-35CIT-42SB	11 1/16	37 15/16	4 1/2	8	52
48	B4-35CIT-48SB	10 5/8	44 1/2	4	2 11/16	52	B5-35CIT-48SB	11 1/16	43 15/16	4 1/2	8	58

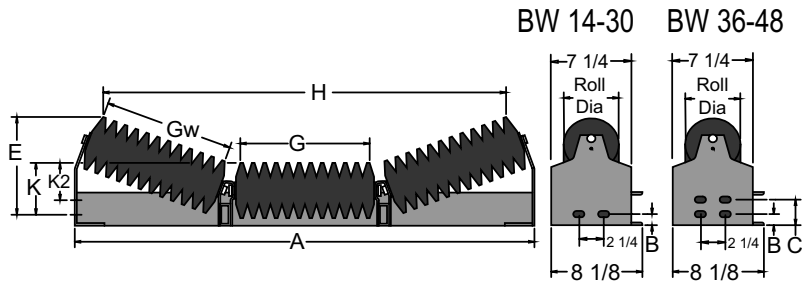


## Channel Inset Return

Belt Width	Standard Mount				Web Mount				Standard Dimensions			
	4" Roll Dia		5" Roll Dia		4" Roll Dia		5" Roll Dia		A	B	C	G
	Part Number	WT	Part Number	WT	Part Number	WT	Part Number	WT				
14	B4-CIR-14SB	15	B5-CIR-14SB	18	B4-CIRW-14SB	16	B5-CIRW-14SB	19	22	19 5/8	24	16 1/2
16	B4-CIR-16SB	16	B5-CIR-16SB	19	B4-CIRW-16SB	17	B5-CIRW-16SB	20	24	21 5/8	26	18 1/2
18	B4-CIR-18SB	17	B5-CIR-18SB	20	B4-CIRW-18SB	18	B5-CIRW-18SB	21	26	23 5/8	28	20 1/2
20	B4-CIR-20SB	18	B5-CIR-20SB	21	B4-CIRW-20SB	19	B5-CIRW-20SB	22	28	25 5/8	30	22 1/2
24	B4-CIR-24SB	20	B5-CIR-24SB	23	B4-CIRW-24SB	21	B5-CIRW-24SB	24	32	29 5/8	34	26 1/2
30	B4-CIR-30SB	23	B5-CIR-30SB	27	B4-CIRW-30SB	24	B5-CIRW-30SB	28	38	35 5/8	40	32 1/2
36	B4-CIR-36SB	26	B5-CIR-36SB	30	B4-CIRW-36SB	27	B5-CIRW-36SB	31	44	41 5/8	46	38 1/2
42	B4-CIR-42SB	29	B5-CIR-42SB	34	B4-CIRW-42SB	30	B5-CIRW-42SB	35	50	47 5/8	52	44 1/2
48	B4-CIR-48SB	31	B5-CIR-48SB	37	B4-CIRW-48SB	32	B5-CIRW-48SB	38	56	53 5/8	58	50 1/2

# CEMA B Channel Inset Impact Trougher & Return

Belt Width	Standard Dimensions				
	A	B	C	G	Gw
14	19 5/8	1 5/8	-	2 7/8	2 7/8
16	21 5/8	1 5/8	-	3 5/8	3 5/8
18	23 5/8	1 5/8	-	4 3/8	4 3/8
20	25 5/8	1 5/8	-	5	5
24	29 5/8	1 5/8	-	6 3/8	6 3/8
30	35 5/8	1 5/8	-	8 3/8	8 3/8
36	41 5/8	1	2 5/16	10 3/8	10 3/8
42	47 5/8	1	2 5/16	16 3/8	10 3/8
48	53 5/8	1	2 5/16	22 3/8	10 3/8

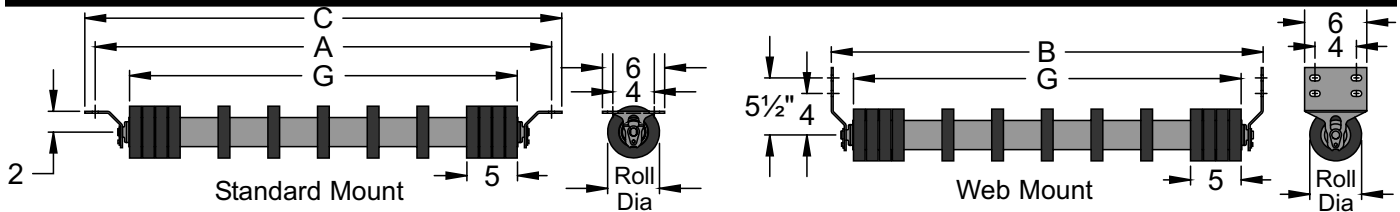


## 20° Channel Inset Impact Trougher

Belt Width	4" Roll Dia						5" Roll Dia					
	Part Number	E	H	K	K2	WT	Part Number	E	H	K	K2	WT
14	B4-20CITI-14SB	4 3/4	13 13/16	3 3/8	-	26	B5-20CITI-14SB	5 1/4	13 7/16	3 7/8	-	29
16	B4-20CITI-16SB	5 1/16	15 15/16	3 3/8	-	27	B5-20CITI-16SB	5 1/2	15 5/8	3 7/8	-	30
18	B4-20CITI-18SB	5 1/4	18 1/16	3 3/8	-	31	B5-20CITI-18SB	5 3/4	17 3/4	3 7/8	-	35
20	B4-20CITI-20SB	5 1/2	19 7/8	3 3/8	-	35	B5-20CITI-20SB	5 15/16	19 9/16	3 7/8	-	40
24	B4-20CITI-24SB	5 15/16	23 7/8	3 3/8	-	40	B5-20CITI-24SB	6 7/16	23 1/2	3 7/8	-	46
30	B4-20CITI-30SB	6 11/16	29 5/8	3 3/8	-	48	B5-20CITI-30SB	7 1/8	29 1/4	3 7/8	-	54
36	B4-20CITI-36SB	8	35 3/8	4	2 11/16	57	B5-20CITI-36SB	8 7/16	35 1/16	4 1/2	3 3/16	65
42	B4-20CITI-42SB	8	41 3/8	4	2 11/16	63	B5-20CITI-42SB	8 7/16	41 1/16	4 1/2	3 3/16	73
48	B4-20CITI-48SB	8	47 3/8	4	2 11/16	72	B5-20CITI-48SB	8 7/16	47 1/16	4 1/2	3 3/16	83

## 35° Channel Inset Impact Trougher

Belt Width	4" Roll Dia						5" Roll Dia					
	Part Number	E	H	K	K2	WT	Part Number	E	H	K	K2	WT
14	B4-35CITI-14SB	5 11/16	12 11/16	3 3/8	-	27	B5-35CITI-14SB	6 1/8	12 1/8	3 7/8	-	30
16	B4-35CITI-16SB	6 1/8	14 11/16	3 3/8	-	28	B5-35CITI-16SB	6 1/2	14 1/8	3 7/8	-	31
18	B4-35CITI-18SB	6 9/16	16 5/8	3 3/8	-	33	B5-35CITI-18SB	6 15/16	16 1/16	3 7/8	-	36
20	B4-35CITI-20SB	6 15/16	18 5/16	3 3/8	-	36	B5-35CITI-20SB	7 3/8	17 3/4	3 7/8	-	41
24	B4-35CITI-24SB	7 3/4	21 15/16	3 3/8	-	42	B5-35CITI-24SB	8 1/8	21 5/16	3 7/8	-	48
30	B4-35CITI-30SB	8 7/8	27 3/16	3 3/8	-	49	B5-35CITI-30SB	9 1/4	26 5/8	3 7/8	-	56
36	B4-35CITI-36SB	10 5/8	32 1/2	4	2 11/16	59	B5-35CITI-36SB	11 1/16	31 15/16	4 1/2	7 1/2	67
42	B4-35CITI-42SB	10 5/8	38 1/2	4	2 11/16	65	B5-35CITI-42SB	11 1/16	37 15/16	4 1/2	8	75
48	B4-35CITI-48SB	10 5/8	44 1/2	4	2 11/16	74	B5-35CITI-48SB	11 1/16	43 15/16	4 1/2	8	85



## Channel Inset Return Rubber Disc

Belt Width	Standard Mount				Web Mount				Standard Dimensions			
	4" Roll Dia		5" Roll Dia		4" Roll Dia		5" Roll Dia					
	Part Number	WT	Part Number	WT	Part Number	WT	Part Number	WT	A	B	C	G
14	B4-CIRRD-14SB	17	B5-CIRRD-14SB	23	B4-CIRRDW-14SB	18	B5-CIRRDW-14SB	24	22	19 5/8	24	15 3/8
16	B4-CIRRD-16SB	18	B5-CIRRD-16SB	25	B4-CIRRDW-16SB	19	B5-CIRRDW-16SB	26	24	21 5/8	26	17 3/8
18	B4-CIRRD-18SB	19	B5-CIRRD-18SB	26	B4-CIRRDW-18SB	20	B5-CIRRDW-18SB	27	26	23 5/8	28	19 3/8
20	B4-CIRRD-20SB	20	B5-CIRRD-20SB	27	B4-CIRRDW-20SB	21	B5-CIRRDW-20SB	28	28	25 5/8	30	21 3/8
24	B4-CIRRD-24SB	22	B5-CIRRD-24SB	30	B4-CIRRDW-24SB	23	B5-CIRRDW-24SB	31	32	29 5/8	34	25 3/8
30	B4-CIRRD-30SB	27	B5-CIRRD-30SB	34	B4-CIRRDW-30SB	28	B5-CIRRDW-30SB	35	38	35 5/8	40	31 3/8
36	B4-CIRRD-36SB	30	B5-CIRRD-36SB	37	B4-CIRRDW-36SB	31	B5-CIRRDW-36SB	38	44	41 5/8	46	37 3/8
42	B4-CIRRD-42SB	34	B5-CIRRD-42SB	41	B4-CIRRDW-42SB	35	B5-CIRRDW-42SB	42	50	47 5/8	52	43 3/8
48	B4-CIRRD-48SB	37	B5-CIRRD-48SB	45	B4-CIRRDW-48SB	38	B5-CIRRDW-48SB	46	56	53 5/8	58	49 3/8

For Mounting Details, see pages 56 & 57.

800.247.1228

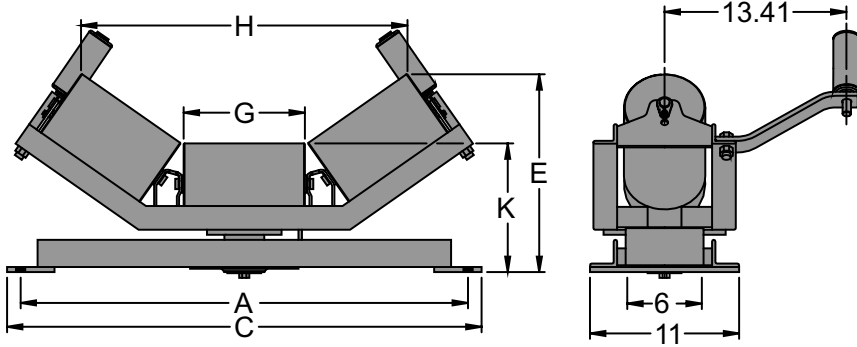
www.ppipella.com



Subject to change without notice

# CEMA B Self-Aligner - Trougher

\*Note: 16" belt width G=6 3/4" for center roll, and 5 7/16" for wing roll.



Belt Width	Standard Dimensions		
	A	C	G*
14	23	25	5 7/16
16	25	27	6 3/4
18	27	29	6 3/4
20	29	31	7 5/8
24	33	35	8 15/16
30	39	41	11 1/8
36	45	47	13 1/4
42	51	53	15 7/16
48	57	59	17 5/8

## 20° Self-Aligner Equal Trougher

Belt Width	4" Roll Dia					5" Roll Dia				
	Part Number	E	H	K	WT	Part Number	E	H	K	WT
14	B4-20TESA-14SB	9 9/16	16 15/16	7 1/2	74	B5-20TESA-14SB	10	16 9/16	8	77
16	B4-20TESA-16SB	9 9/16	18 1/4	7 1/2	76	B5-20TESA-16SB	10	17 7/8	8	80
18	B4-20TESA-18SB	9 15/16	20 11/16	7 1/2	79	B5-20TESA-18SB	10 7/16	20 3/8	8	83
20	B4-20TESA-20SB	10 5/16	23 1/4	7 1/2	82	B5-20TESA-20SB	10 3/4	22 7/8	8	86
24	B4-20TESA-24SB	10 3/4	26 15/16	7 1/2	87	B5-20TESA-24SB	11 3/16	26 11/16	8	92
30	B4-20TESA-30SB	11 7/16	33 5/16	7 1/2	95	B5-20TESA-30SB	11 15/16	32 15/16	8	100
36	B4-20TESA-36SB	12 3/16	39 7/16	7 1/2	103	B5-20TESA-36SB	12 11/16	39 1/16	8	109
42	B4-20TESA-42SB	13 7/16	45 3/4	8	120	B5-20TESA-42SB	13 15/16	45 3/8	8 1/2	126
48	B4-20TESA-48SB	14 3/16	52 1/16	8	128	B5-20TESA-48SB	14 11/16	51 11/16	8 1/2	136

## 35° Self-Aligner Equal Trougher

Belt Width	4" Roll Dia					5" Roll Dia				
	Part Number	E	H	K	WT	Part Number	E	H	K	WT
14	B4-35TESA-14SB	10 3/4	15 1/2	7 1/2	74	B5-35TESA-14SB	11 3/16	14 7/8	8	77
16	B4-35TESA-16SB	10 3/4	16 13/16	7 1/2	76	B5-35TESA-16SB	11 3/16	16 1/4	8	79
18	B4-35TESA-18SB	11 7/16	18 15/16	7 1/2	79	B5-35TESA-18SB	11 7/8	18 3/8	8	82
20	B4-35TESA-20SB	12	21 1/4	7 1/2	81	B5-35TESA-20SB	12 7/16	20 11/16	8	85
24	B4-35TESA-24SB	12 3/4	24 11/16	7 1/2	87	B5-35TESA-24SB	13 1/8	24 1/8	8	91
30	B4-35TESA-30SB	14	30 1/2	7 1/2	91	B5-35TESA-30SB	14 7/16	29 7/8	8	100
36	B4-35TESA-36SB	15 3/16	36 1/8	7 1/2	102	B5-35TESA-36SB	15 5/8	35 1/2	8	108
42	B4-35TESA-42SB	16 15/16	41 7/8	8	119	B5-35TESA-42SB	17 3/8	41 1/4	8 1/2	126
48	B4-35TESA-48SB	18 3/16	47 5/8	8	128	B5-35TESA-48SB	18 5/8	47 1/16	8 1/2	135

## 45° Self-Aligner Equal Trougher

Belt Width	4" Roll Dia					5" Roll Dia				
	Part Number	E	H	K	WT	Part Number	E	H	K	WT
14	B4-45TESA-14SB	11 11/16	14 1/8	7 1/2	76	B5-45TESA-14SB	12	13 7/16	8	80
16	B4-45TESA-16SB	11 11/16	15 7/16	7 1/2	78	B5-45TESA-16SB	12	14 11/16	8	82
18	B4-45TESA-18SB	12 5/8	17 1/4	7 1/2	81	B5-45TESA-18SB	12 15/16	16 9/16	8	85
20	B4-45TESA-20SB	13 3/16	19 3/8	7 1/2	84	B5-45TESA-20SB	13 9/16	18 11/16	8	88
24	B4-45TESA-24SB	14 1/8	22 9/16	7 1/2	89	B5-45TESA-24SB	14 7/16	21 7/8	8	94
30	B4-45TESA-30SB	15 11/16	27 11/16	7 1/2	97	B5-45TESA-30SB	16 1/16	27 1/8	8	103
36	B4-45TESA-36SB	17 3/16	32 15/16	7 1/2	105	B5-45TESA-36SB	17 9/16	32 1/4	8	111
42	B4-45TESA-42SB	19 3/16	38 1/4	8	121	B5-45TESA-42SB	19 9/16	37 9/16	8 1/2	128
48	B4-45TESA-48SB	20 3/4	43 9/16	8	130	B5-45TESA-48SB	21 1/8	42 13/16	8 1/2	138



# CEMA B Self-Aligner - Return & Flat



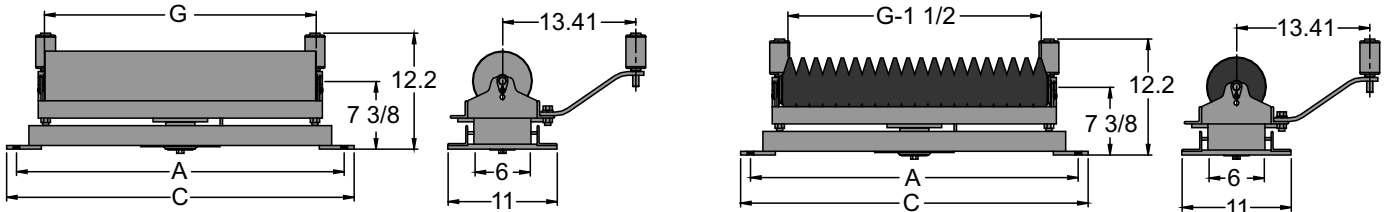
**B**

## Return Self-Aligner

Belt Width	4" Roll Dia				5" Roll Dia				Standard Dimensions		
	E=4½"	WT	E=1½"	WT	E=4½"	WT	E=1½"	WT	A	C	G
14	B4-RSA-14SB	81	B4-RSA-14SB-1	77	B5-RSA-14SB	83	B5-RSA-14SB-1	80	23	25	17 3/8
16	B4-RSA-16SB	83	B4-RSA-16SB-1	80	B5-RSA-16SB	86	B5-RSA-16SB-1	82	25	27	19 3/8
18	B4-RSA-18SB	86	B4-RSA-18SB-1	85	B5-RSA-18SB	89	B5-RSA-18SB-1	85	27	29	21 3/8
20	B4-RSA-20SB	88	B4-RSA-20SB-1	85	B5-RSA-20SB	91	B5-RSA-20SB-1	88	29	31	23 3/8
24	B4-RSA-24SB	93	B4-RSA-24SB-1	90	B5-RSA-24SB	97	B5-RSA-24SB-1	94	33	35	27 3/8
30	B4-RSA-30SB	101	B4-RSA-30SB-1	98	B5-RSA-30SB	105	B5-RSA-30SB-1	102	39	41	33 3/8
36	B4-RSA-36SB	109	B4-RSA-36SB-1	105	B5-RSA-36SB	114	B5-RSA-36SB-1	110	45	47	39 3/8
42	B4-RSA-42SB	122	B4-RSA-42SB-1	119	B5-RSA-42SB	128	B5-RSA-42SB-1	125	51	53	45 3/8
48	B4-RSA-48SB	130	B4-RSA-48SB-1	127	B5-RSA-48SB	137	B5-RSA-48SB-1	134	57	59	51 3/8

## Return Rubber Disc Self-Aligner

Belt Width	4" Roll Dia				5" Roll Dia				Standard Dimensions		
	E=4½"	WT	E=1½"	WT	E=4½"	WT	E=1½"	WT	A	C	G
14	B4-RRDSA-14SB	86	B4-RRDSA-14SB-1	82	B5-RRDSA-14SB	88	B5-RRDSA-14SB-1	85	23	25	16 1/4
16	B4-RRDSA-16SB	89	B4-RRDSA-16SB-1	85	B5-RRDSA-16SB	92	B5-RRDSA-16SB-1	89	25	27	18 1/4
18	B4-RRDSA-18SB	91	B4-RRDSA-18SB-1	88	B5-RRDSA-18SB	95	B5-RRDSA-18SB-1	91	27	29	20 1/4
20	B4-RRDSA-20SB	94	B4-RRDSA-20SB-1	91	B5-RRDSA-20SB	97	B5-RRDSA-20SB-1	94	29	31	22 1/4
24	B4-RRDSA-24SB	100	B4-RRDSA-24SB-1	97	B5-RRDSA-24SB	103	B5-RRDSA-24SB-1	100	33	35	26 1/4
30	B4-RRDSA-30SB	108	B4-RRDSA-30SB-1	105	B5-RRDSA-30SB	112	B5-RRDSA-30SB-1	109	39	41	32 1/4
36	B4-RRDSA-36SB	117	B4-RRDSA-36SB-1	114	B5-RRDSA-36SB	121	B5-RRDSA-36SB-1	118	45	47	38 1/4
42	B4-RRDSA-42SB	131	B4-RRDSA-42SB-1	128	B5-RRDSA-42SB	136	B5-RRDSA-42SB-1	132	51	53	44 1/4
48	B4-RRDSA-48SB	140	B4-RRDSA-48SB-1	137	B5-RRDSA-48SB	145	B5-RRDSA-48SB-1	142	57	59	50 1/4



## Flat Carrier Self-Aligner

Belt Width	Steel Rolls				Rubber Disc Rolls				Standard Dimensions		
	4" Roll Dia		5" Roll Dia		4" Roll Dia		5" Roll Dia				
	Part Number	WT	Part Number	WT	Part Number	WT	Part Number	WT	A	C	G
14	B4-FSA-14SB	64	B5-FSA-14SB	67	B4-FRDSA-14SB	69	B5-FRDSA-14SB	72	23	25	17 3/8
16	B4-FSA-16SB	67	B5-FSA-16SB	70	B4-FRDSA-16SB	72	B5-FRDSA-16SB	76	25	27	19 3/8
18	B4-FSA-18SB	69	B5-FSA-18SB	72	B4-FRDSA-18SB	75	B5-FRDSA-18SB	79	27	29	21 3/8
20	B4-FSA-20SB	72	B5-FSA-20SB	75	B4-FRDSA-20SB	78	B5-FRDSA-20SB	82	29	31	23 3/8
24	B4-FSA-24SB	77	B5-FSA-24SB	81	B4-FRDSA-24SB	83	B5-FRDSA-24SB	88	33	35	27 3/8
30	B4-FSA-30SB	85	B5-FSA-30SB	89	B4-FRDSA-30SB	93	B5-FRDSA-30SB	99	39	41	33 3/8
36	B4-FSA-36SB	92	B5-FSA-36SB	98	B4-FRDSA-36SB	102	B5-FRDSA-36SB	110	45	47	39 3/8
42	B4-FSA-42SB	106	B5-FSA-42SB	112	B4-FRDSA-42SB	118	B5-FRDSA-42SB	126	51	53	45 3/8
48	B4-FSA-48SB	114	B5-FSA-48SB	121	B4-FRDSA-48SB	128	B5-FRDSA-48SB	138	57	59	51 3/8

For Mounting Details, see pages 56 & 57.

800.247.1228

Subject to change without notice

www.pipella.com

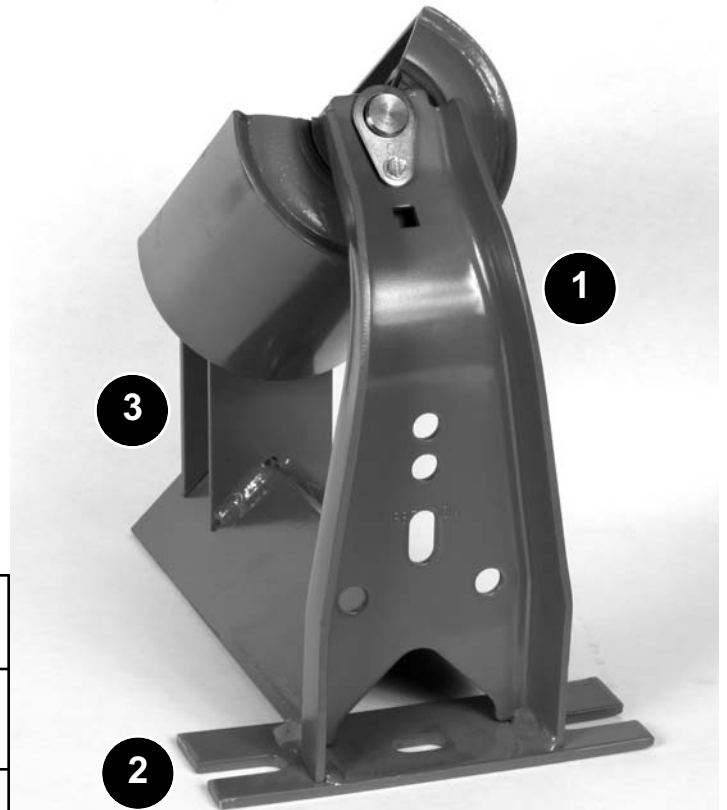
# C Series Idler Features

**C series idlers designed and built for the toughest jobs**

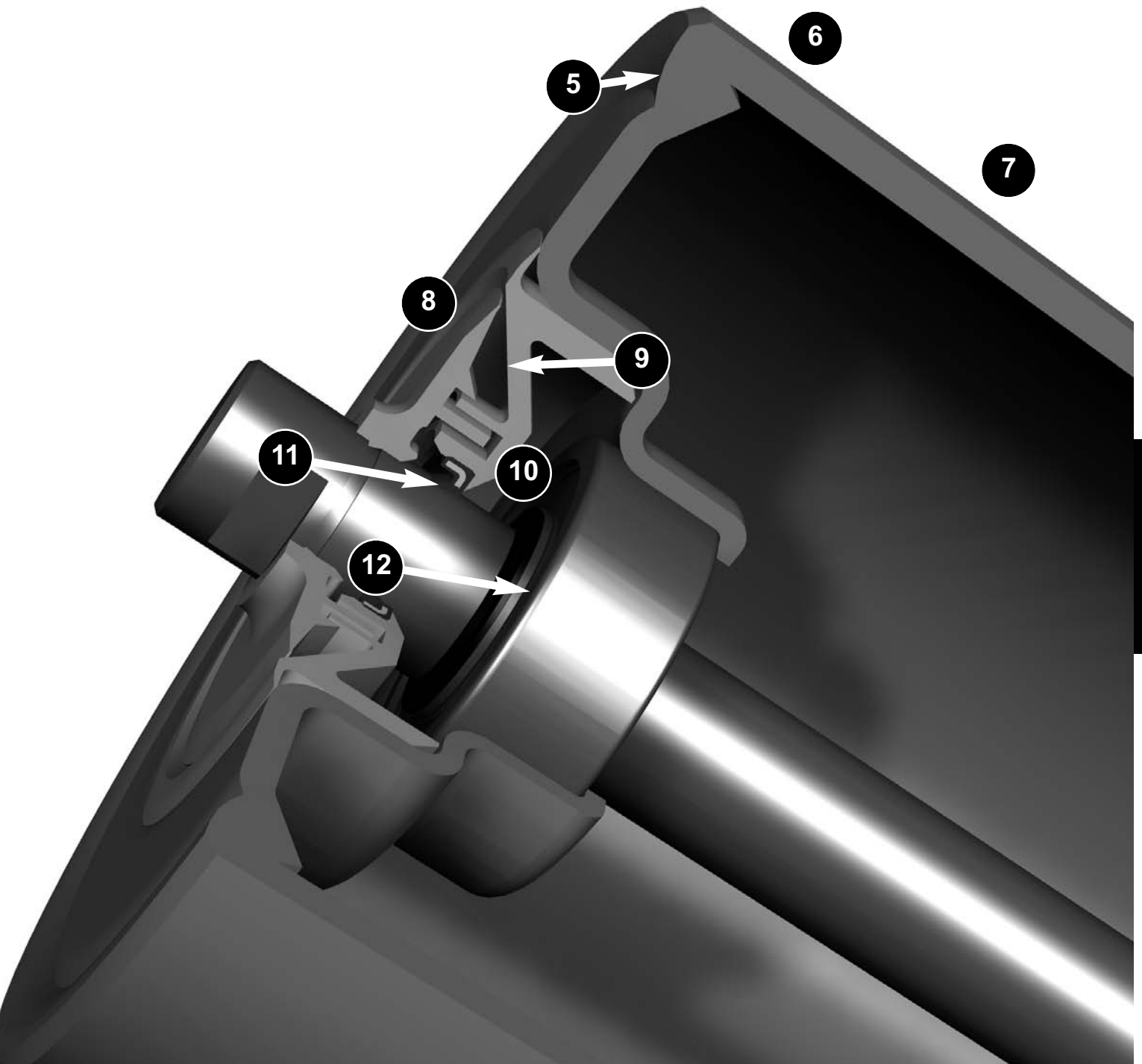
- Designed and manufactured for a long trouble free life with no greasing
- Maintenance free high quality sealed ball bearings.
- Conforms to CEMA standards for dimensions and meet or exceed C series load ratings

## CEMA C LOAD RATINGS

BELT WIDTH	TROUGHING ANGLE			RETURN & FLAT	UNEQUAL (Picking)	LIVE SHAFT
	20°	35°	45°			
18	900	900	900	475		1,200
24	900	900	900	325	475	1,200
30	900	900	900	250	475	1,200
36	900	837	810	200	325	1,200
42	850	791	765	150	250	1,200
48	800	744	720	125	200	1,100
54	750	698	675	CEMA D	150	1,000
60	700	650	630	CEMA D	125	875
Two roll V>Returns (All)				500		



1. Wide heavy duty formed end brackets
2. Heavy Duty foot pads for a solid base
3. Wide center brackets for heavy loads
4. Designed with minimal roll gaps

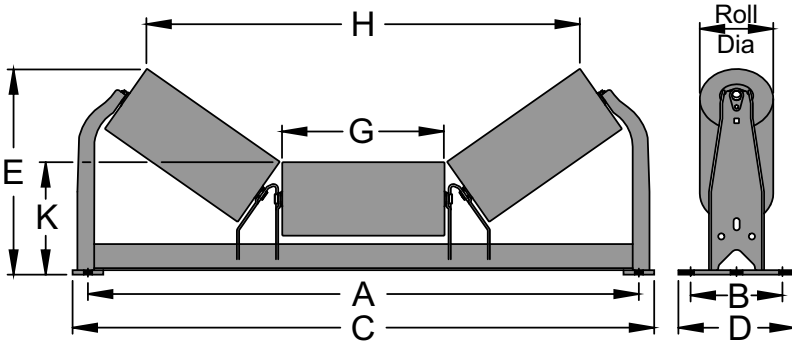


- 5. Roll weld protected from belt wear by the full thickness of the tubing
- 6. Full thickness tubing for the length of the roll with a 1/4" wall option
- 7. Extremely low T.I.R. or runout
- 8. Large diameter stationary outer seal

- 9. Highly effective flinger seal
- 10. Effective radial and labyrinth seals
- 11. Long lasting nitrile contact seal protected from the environment
- 12. High Quality Ball Bearing with manufacturer's contact seal & grease

# CEMA C Equal Troughers

For Mounting Details, see pages 56 & 57.



Belt Width	Standard Dimensions					Wide Base	
	A	B	C	D	G	Aw	Cw
18	27	6	29	8	6 3/4	33	35
20	29	6	31	8	7 5/8	35	37
24	33	6	35	8	8 15/16	39	41
30	39	6	41 1/2	9 1/2	11 1/8	45	47 1/2
36	45	6	47 1/2	9 1/2	13 1/4	51	53 1/2
42	51	7 1/2	53 1/2	9 1/2	15 7/16	57	59 1/2
48	57	7 1/2	59 1/2	9 1/2	17 5/8	63	65 1/2
54	63	9	65 1/2	10 15/16	19 3/4	69	71 1/2
60	69	9	71 1/2	10 15/16	21 3/4	75	77 1/2

## 20° Equal Trougher

Belt Width	4" Roll Dia					5" Roll Dia					6" Roll Dia				
	Part Number	E	H	K	WT	Part Number	E	H	K	WT	Part Number	E	H	K	WT
18	C4-20TE-18SB	10 7/16	21 1/16	8	34	C5-20TE-18SB	10 15/16	20 11/16	8 1/2	39	C6-20TE-18SB	11 3/8	20 3/8	9	45
20	C4-20TE-20SB	10 3/4	23 9/16	8	37	C5-20TE-20SB	11 1/4	23 1/4	8 1/2	42	C6-20TE-20SB	11 11/16	22 7/8	9	49
24	C4-20TE-24SB	11 3/16	27 3/8	8	41	C5-20TE-24SB	11 11/16	27 1/16	8 1/2	46	C6-20TE-24SB	12 1/8	26 11/16	9	54
30	C4-20TE-30SB	12 1/8	33 5/8	8 1/8	49	C5-20TE-30SB	12 9/16	33 3/8	8 5/8	55	C6-20TE-30SB	13 1/16	32 15/16	9 1/8	64
36	C4-20TE-36SB	12 13/16	39 3/4	8 1/8	56	C5-20TE-36SB	13 5/16	39 7/16	8 5/8	64	C6-20TE-36SB	13 3/4	39 1/8	9 1/8	74
42	C4-20TE-42SB	13 15/16	46 1/16	8 1/2	73	C5-20TE-42SB	14 7/16	45 3/4	9	81	C6-20TE-42SB	14 7/8	45 7/16	9 1/2	92
48	C4-20TE-48SB	14 11/16	52 3/8	8 1/2	80	C5-20TE-48SB	15 3/16	52 1/16	9	89	C6-20TE-48SB	15 5/8	51 3/4	9 1/2	102
54	C4-20TE-54SB	15 7/16	58 1/2	8 1/2	89	C5-20TE-54SB	15 7/8	58 3/16	9	99	C6-20TE-54SB	16 3/8	57 13/16	9 1/2	112
60	C4-20TE-60SB	16 1/16	64 1/4	8 1/2	96	C5-20TE-60SB	16 9/16	63 7/8	9	106	C6-20TE-60SB	17	63 9/16	9 1/2	121

## 35° Equal Trougher

Belt Width	4" Roll Dia					5" Roll Dia					6" Roll Dia				
	Part Number	E	H	K	WT	Part Number	E	H	K	WT	Part Number	E	H	K	WT
18	C4-35TE-18SB	12 1/8	19 3/8	8	35	C5-35TE-18SB	12 9/16	18 13/16	8 1/2	40	C6-35TE-18SB	13 1/16	18 1/4	9	46
20	C4-35TE-20SB	12 5/8	21 11/16	8	38	C5-35TE-20SB	13 1/16	21 1/8	8 1/2	43	C6-35TE-20SB	13 1/2	20 9/16	9	50
24	C4-35TE-24SB	13 3/8	25 1/8	8	42	C5-35TE-24SB	13 13/16	24 9/16	8 1/2	48	C6-35TE-24SB	14 1/4	24 1/16	9	55
30	C4-35TE-30SB	14 3/4	30 15/16	8 1/8	50	C5-35TE-30SB	15 3/16	30 3/8	8 5/8	57	C6-35TE-30SB	15 11/16	29 13/16	9 1/8	66
36	C4-35TE-36SB	15 15/16	36 1/2	8 1/8	58	C5-35TE-36SB	16 3/8	35 15/16	8 5/8	66	C6-35TE-36SB	16 13/16	35 7/16	9 1/8	75
42	C4-35TE-42SB	17 5/8	42 5/16	8 1/2	75	C5-35TE-42SB	18 1/16	41 3/4	9	84	C6-35TE-42SB	18 7/16	41 3/16	9 1/2	95
48	C4-35TE-48SB	18 7/8	48 1/16	8 1/2	83	C5-35TE-48SB	19 5/16	47 1/2	9	92	C6-35TE-48SB	19 11/16	46 15/16	9 1/2	104
54	C4-35TE-54SB	20 1/8	53 11/16	8 1/2	96	C5-35TE-54SB	20 1/2	53 1/8	9	106	C6-35TE-54SB	20 15/16	52 9/16	9 1/2	120
60	C4-35TE-60SB	21 1/4	58 15/16	8 1/2	103	C5-35TE-60SB	21 11/16	58 3/8	9	113	C6-35TE-60SB	22 1/16	57 7/8	9 1/2	128

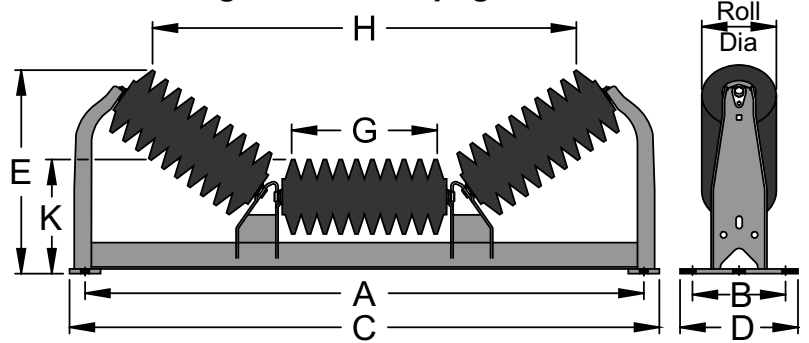
## 45° Equal Trougher

Belt Width	4" Roll Dia					5" Roll Dia					6" Roll Dia				
	Part Number	E	H	K	WT	Part Number	E	H	K	WT	Part Number	E	H	K	WT
18	C4-45TE-18SB	13 3/16	18 1/8	8	37	C5-45TE-18SB	13 1/2	17 1/2	8 1/2	42	C6-45TE-18SB	13 7/8	16 13/16	9	48
20	C4-45TE-20SB	13 3/4	20 5/16	8	39	C5-45TE-20SB	14 1/8	19 5/8	8 1/2	44	C6-45TE-20SB	14 1/2	18 15/16	9	51
24	C4-45TE-24SB	14 11/16	23 3/8	8	43	C5-45TE-24SB	15 1/16	22 3/4	8 1/2	49	C6-45TE-24SB	15 3/8	22 1/8	9	57
30	C4-45TE-30SB	16 3/8	28 11/16	8 1/8	52	C5-45TE-30SB	16 3/4	28 1/16	8 5/8	58	C6-45TE-30SB	17 1/16	27 3/8	9 1/8	67
36	C4-45TE-36SB	17 7/8	33 7/8	8 1/8	59	C5-45TE-36SB	18 3/16	33 1/8	8 5/8	67	C6-45TE-36SB	18 9/16	32 5/16	9 1/8	77
42	C4-45TE-42SB	19 13/16	39 1/8	8 1/2	75	C5-45TE-42SB	20 1/8	38 7/16	9	84	C6-45TE-42SB	20 1/2	37 11/16	9 1/2	95
48	C4-45TE-48SB	21 3/8	44 7/16	8 1/2	86	C5-45TE-48SB	21 11/16	43 11/16	9	95	C6-45TE-48SB	22 1/16	43 1/16	9 1/2	108
54	C4-45TE-54SB	22 7/8	49 9/16	8 1/2	97	C5-45TE-54SB	23 3/16	48 13/16	9	107	C6-45TE-54SB	23 9/16	48 1/16	9 1/2	121
60	C4-45TE-60SB	24 1/4	54 3/8	8 1/2	104	C5-45TE-60SB	24 5/8	53 11/16	9	114	C6-45TE-60SB	24 15/16	53	9 1/2	129

# CEMA C Equal Impact Troughers

Belt Width	Standard Dimensions					Wide Base	
	A	B	C	D	G	Aw	Cw
18	27	6	29	8	5 1/4	33	35
20	29	6	31	8	6 1/8	35	37
24	33	6	35	8	7 7/16	39	41
30	39	6	41 1/2	9 1/2	9 5/8	45	47 1/2
36	45	6	47 1/2	9 1/2	11 3/4	51	53 1/2
42	51	7 1/2	53 1/2	9 1/2	13 15/16	57	59 1/2
48	57	7 1/2	59 1/2	9 1/2	16 1/8	63	65 1/2
54	63	9	65 1/2	10 15/16	18 1/4	69	71 1/2
60	69	9	71 1/2	10 15/16	20 1/4	75	77 1/2

For Mounting Details, see pages 56 & 57.



## 20° Equal Impact Trougher

Belt Width	4" Roll Dia						5" Roll Dia					6" Roll Dia				
	Part Number	E	H	K	WT	Part Number	E	H	K	WT	Part Number	E	H	K	WT	
18	C4-20TEI-18SB	10 3/16	19 5/8	8	41	C5-20TEI-18SB	10 11/16	19 1/4	8 1/2	45	C6-20TEI-18SB	11 1/8	18 15/16	9	51	
20	C4-20TEI-20SB	10 1/2	22 1/8	8	43	C5-20TEI-20SB	11	21 13/16	8 1/2	48	C6-20TEI-20SB	11 7/16	21 7/16	9	54	
24	C4-20TEI-24SB	10 15/16	25 15/16	8	48	C5-20TEI-24SB	11 7/16	25 5/8	8 1/2	54	C6-20TEI-24SB	11 7/8	25 1/4	9	61	
30	C4-20TEI-30SB	11 7/8	32 3/16	8 1/8	59	C5-20TEI-30SB	12 5/16	31 15/16	8 5/8	66	C6-20TEI-30SB	12 3/4	31 1/2	9 1/8	75	
36	C4-20TEI-36SB	12 9/16	38 5/16	8 1/8	69	C5-20TEI-36SB	13 1/16	38	8 5/8	78	C6-20TEI-36SB	13 1/2	37 11/16	9 1/8	90	
42	C4-20TEI-42SB	13 11/16	44 5/8	8 1/2	88	C5-20TEI-42SB	14 3/16	44 5/16	9	99	C6-20TEI-42SB	14 5/8	44	9 1/2	113	
48	C4-20TEI-48SB	14 7/16	50 15/16	8 1/2	97	C5-20TEI-48SB	14 15/16	50 5/8	9	109	C6-20TEI-48SB	15 3/8	50 1/4	9 1/2	122	
54	C4-20TEI-54SB	15 3/16	57 1/16	8 1/2	111	C5-20TEI-54SB	15 5/8	56 3/4	9	122	C6-20TEI-54SB	16 1/8	56 3/8	9 1/2	139	
60	C4-20TEI-60SB	15 13/16	62 13/16	8 1/2	119	C5-20TEI-60SB	16 5/16	62 7/16	9	133	C6-20TEI-60SB	16 3/4	62 1/8	9 1/2	153	

## 35° Equal Impact Trougher

Belt Width	4" Roll Dia						5" Roll Dia					6" Roll Dia				
	Part Number	E	H	K	WT	Part Number	E	H	K	WT	Part Number	E	H	K	WT	
18	C4-35TEI-18SB	11 11/16	18 1/8	8	42	C5-35TEI-18SB	12 1/8	17 9/16	8 1/2	47	C6-35TEI-18SB	12 5/8	17	9	53	
20	C4-35TEI-20SB	12 3/16	20 7/16	8	45	C5-35TEI-20SB	12 5/8	19 7/8	8 1/2	50	C6-35TEI-20SB	13 1/16	19 5/16	9	56	
24	C4-35TEI-24SB	12 15/16	23 7/8	8	50	C5-35TEI-24SB	13 3/8	23 5/16	8 1/2	56	C6-35TEI-24SB	13 13/16	22 13/16	9	63	
30	C4-35TEI-30SB	14 5/16	29 11/16	8 1/8	62	C5-35TEI-30SB	14 3/4	29 1/8	8 5/8	68	C6-35TEI-30SB	15 1/4	28 9/16	9 1/8	78	
36	C4-35TEI-36SB	15 1/2	35 1/4	8 1/8	71	C5-35TEI-36SB	15 15/16	34 11/16	8 5/8	80	C6-35TEI-36SB	16 3/8	34 3/16	9 1/8	92	
42	C4-35TEI-42SB	17 3/16	41 1/16	8 1/2	91	C5-35TEI-42SB	17 5/8	40 1/2	9	102	C6-35TEI-42SB	18	39 15/16	9 1/2	116	
48	C4-35TEI-48SB	18 7/16	46 13/16	8 1/2	100	C5-35TEI-48SB	18 7/8	46 1/4	9	112	C6-35TEI-48SB	19 1/4	45 11/16	9 1/2	125	
54	C4-35TEI-54SB	19 11/16	52 7/16	8 1/2	118	C5-35TEI-54SB	20 1/16	51 7/8	9	129	C6-35TEI-54SB	20 1/2	51 5/16	9 1/2	147	
60	C4-35TEI-60SB	20 13/16	57 11/16	8 1/2	126	C5-35TEI-60SB	21 1/4	57 1/8	9	140	C6-35TEI-60SB	21 5/8	56 5/8	9 1/2	160	

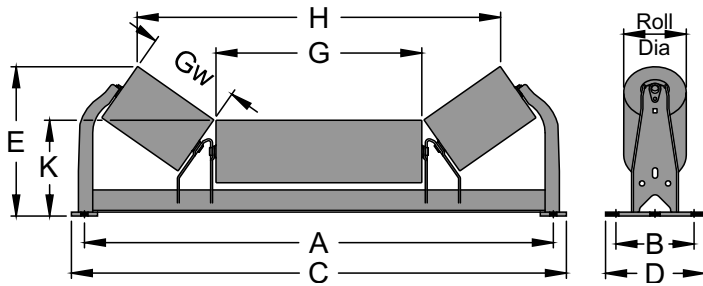
## 45° Equal Impact Trougher

Belt Width	4" Roll Dia						5" Roll Dia					6" Roll Dia				
	Part Number	E	H	K	WT	Part Number	E	H	K	WT	Part Number	E	H	K	WT	
18	C4-45TEI-18SB	12 11/16	17 1/16	8	43	C5-45TEI-18SB	13	16 7/16	8 1/2	48	C6-45TEI-18SB	13 3/8	15 3/4	9	54	
20	C4-45TEI-20SB	13 1/4	19 1/4	8	46	C5-45TEI-20SB	13 5/8	18 9/16	8 1/2	51	C6-45TEI-20SB	14	17 7/8	9	57	
24	C4-45TEI-24SB	14 3/16	22 5/16	8	51	C5-45TEI-24SB	14 9/16	21 11/16	8 1/2	57	C6-45TEI-24SB	14 7/8	21 1/16	9	64	
30	C4-45TEI-30SB	15 7/8	27 5/8	8 1/8	63	C5-45TEI-30SB	16 1/4	27	8 5/8	70	C6-45TEI-30SB	16 5/8	26 5/16	9 1/8	79	
36	C4-45TEI-36SB	17 3/8	32 13/16	8 1/8	72	C5-45TEI-36SB	17 11/16	32 1/16	8 5/8	81	C6-45TEI-36SB	18 1/16	31 1/4	9 1/8	93	
42	C4-45TEI-42SB	19 5/16	38 1/16	8 1/2	91	C5-45TEI-42SB	19 5/8	37 3/8	9	102	C6-45TEI-42SB	20	36 5/8	9 1/2	115	
48	C4-45TEI-48SB	20 7/8	43 3/8	8 1/2	103	C5-45TEI-48SB	21 3/16	42 5/8	9	115	C6-45TEI-48SB	21 9/16	42	9 1/2	128	
54	C4-45TEI-54SB	22 3/8	48 1/2	8 1/2	119	C5-45TEI-54SB	22 11/16	47 3/4	9	130	C6-45TEI-54SB	23 1/16	47	9 1/2	148	
60	C4-45TEI-60SB	23 3/4	53 5/16	8 1/2	127	C5-45TEI-60SB	24 1/8	52 5/8	9	141	C6-45TEI-60SB	24 7/16	51 15/16	9 1/2	160	

For Wide Base Option, add WB to end of the part number.

Subject to change without notice

# CEMA C Unequal Trougher & Flat Carrier



Belt Width	Standard Dimensions				Wide Base	
	A	B	C	D	Aw	Cw
24	33	6	35 1/2	9 1/2	39	41 1/2
30	39	6	41 1/2	9 1/2	45	47 1/2
36	45	6	47 1/2	9 1/2	51	53 1/2
42	51	7 1/2	53 1/2	9 1/2	57	59 1/2
48	57	7 1/2	59 1/2	9 1/2	63	65 1/2
54	63	9	65 1/2	10 15/16	69	71 1/2
60	69	9	71 1/2	10 15/16	75	77 1/2

## 20° Unequal Trougher

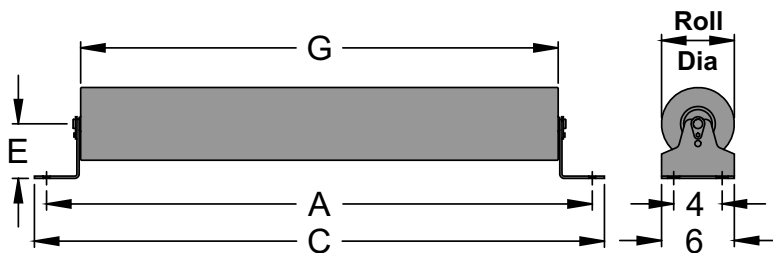
\*Self-Aligner available, contact PPI for more details

Belt Width	4" Roll Dia					5" Roll Dia					6" Roll Dia					G	Gw
	Part Number	E	H	K	WT	Part Number	E	H	K	WT	Part Number	E	H	K	WT		
24	C4-20TU-24SB	10 1/8	27 5/16	8 1/8	40	C5-20TU-24SB	10 5/8	27	8 5/8	46	C6-20TU-24SB	11 1/16	26 11/16	9 1/8	53	15 7/16	5 7/16
30	C4-20TU-30SB	10 1/8	33 1/4	8 1/8	47	C5-20TU-30SB	10 5/8	32 15/16	8 5/8	54	C6-20TU-30SB	11 1/16	32 9/16	9 1/8	62	21 3/8	5 7/16
36	C4-20TU-36SB	10 1/8	39 1/4	8 1/8	54	C5-20TU-36SB	10 5/8	38 7/8	8 5/8	62	C6-20TU-36SB	11 1/16	38 9/16	9 1/8	71	27 3/8	5 7/16
42	C4-20TU-42SB	10 9/16	45 1/4	8 1/2	69	C5-20TU-42SB	11	44 7/8	9	77	C6-20TU-42SB	11 7/16	44 9/16	9 1/2	87	33 3/8	5 7/16
48	C4-20TU-48SB	10 9/16	51 1/4	8 1/2	75	C5-20TU-48SB	11	50 7/8	9	84	C6-20TU-48SB	11 7/16	50 9/16	9 1/2	96	39 3/8	5 7/16
54	C4-20TU-54SB	10 9/16	57 1/4	8 1/2	83	C5-20TU-54SB	11	56 7/8	9	92	C6-20TU-54SB	11 7/16	56 9/16	9 1/2	105	45 3/8	5 7/16
60	C4-20TU-60SB	10 9/16	63 1/4	8 1/2	90	C5-20TU-60SB	11	62 7/8	9	100	C6-20TU-60SB	11 7/16	62 9/16	9 1/2	114	51 3/8	5 7/16

## 35° Unequal Trougher

\*Self-Aligner available, contact PPI for more details

Belt Width	4" Roll Dia					5" Roll Dia					6" Roll Dia					G	Gw
	Part Number	E	H	K	WT	Part Number	E	H	K	WT	Part Number	E	H	K	WT		
24	C4-35TU-24SB	12 3/8	25 7/8	8 1/8	42	C5-35TU-24SB	12 3/4	25 1/4	8 5/8	47	C6-35TU-24SB	13 3/16	24 3/4	9 1/8	55	13 1/4	6 3/4
30	C4-35TU-30SB	13 5/8	31 5/8	8 1/8	50	C5-35TU-30SB	14	31 1/16	8 5/8	56	C6-35TU-30SB	14 3/8	30 1/2	9 1/8	65	15 7/16	8 15/16
36	C4-35TU-36SB	13 1/2	35 15/16	8 1/8	56	C5-35TU-36SB	13 15/16	35 3/8	8 5/8	63	C6-35TU-36SB	14 5/16	34 7/8	9 1/8	72	19 3/4	8 15/16
42	C4-35TU-42SB	15 3/16	41 3/16	8 1/2	70	C5-35TU-42SB	15 9/16	40 5/8	9	78	C6-35TU-42SB	15 15/16	40 1/16	9 1/2	89	21 3/8	11 1/8
48	C4-35TU-48SB	15 3/16	47 3/16	8 1/2	77	C5-35TU-48SB	15 9/16	46 5/8	9	86	C6-35TU-48SB	15 15/16	46 1/16	9 1/2	97	27 3/8	11 1/8
54	C4-35TU-54SB	15 3/16	53 3/16	8 1/2	85	C5-35TU-54SB	15 9/16	52 5/8	9	94	C6-35TU-54SB	15 15/16	52 1/16	9 1/2	107	33 3/8	11 1/8
60	C4-35TU-60SB	15 3/16	59 3/16	8 1/2	91	C5-35TU-60SB	15 9/16	58 5/8	9	101	C6-35TU-60SB	15 15/16	58 1/16	9 1/2	115	39 3/8	11 1/8



Operation & Maintenance manuals can be downloaded from our website at <http://www.ppipella.com>

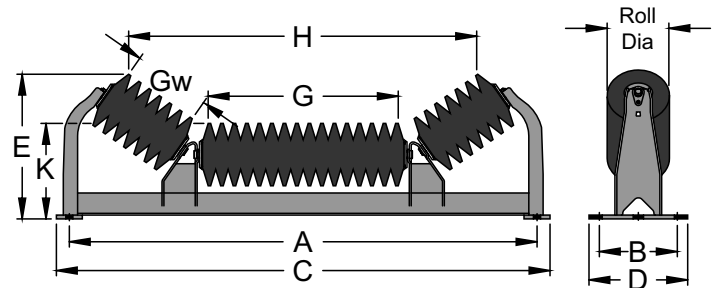
\*CEMA recommends D idlers for 54" & 60" flat carrying idlers

## Flat Carrier

Belt Width	4" Roll Dia				5" Roll Dia				6" Roll Dia				Standard Dimensions		
	E=4 1/2"		E=1 1/2"		E=4 1/2"		E=1 1/2"		E=4 1/2"		E=1 1/2"		A	C	G
	Part Number	WT	Part Number	WT	Part Number	WT	Part Number	WT	Part Number	WT	Part Number	WT			
18	C4-F-18SB	22	C4-F-18SB-1	21	C5-F-18SB	26	C5-F-18SB-1	25	C6-F-18SB	31	C6-F-18SB-1	30	27	29	21 3/8
20	C4-F-20SB	24	C4-F-20SB-1	23	C5-F-20SB	27	C5-F-20SB-1	26	C6-F-20SB	32	C6-F-20SB-1	31	29	31	23 3/8
24	C4-F-24SB	26	C4-F-24SB-1	25	C5-F-24SB	31	C5-F-24SB-1	30	C6-F-24SB	36	C6-F-24SB-1	35	33	35	27 3/8
30	C4-F-30SB	30	C4-F-30SB-1	29	C5-F-30SB	35	C5-F-30SB-1	34	C6-F-30SB	42	C6-F-30SB-1	41	39	41	33 3/8
36	C4-F-36SB	34	C4-F-36SB-1	33	C5-F-36SB	39	C5-F-36SB-1	38	C6-F-36SB	48	C6-F-36SB-1	47	45	47	39 3/8
42	C4-F-42SB	37	C4-F-42SB-1	36	C5-F-42SB	44	C5-F-42SB-1	43	C6-F-42SB	53	C6-F-42SB-1	52	51	53	45 3/8
48	C4-F-48SB	41	C4-F-48SB-1	40	C5-F-48SB	49	C5-F-48SB-1	48	C6-F-48SB	59	C6-F-48SB-1	58	57	59	51 3/8
54*	C4-F-54SB	45	C4-F-54SB-1	44	C5-F-54SB	53	C5-F-54SB-1	52	C6-F-54SB	65	C6-F-54SB-1	64	63	65	57 3/8
60*	C4-F-60SB	49	C4-F-60SB-1	48	C5-F-60SB	58	C5-F-60SB-1	57	C6-F-60SB	70	C6-F-60SB-1	69	69	71	63 3/8

# CEMA C Unequal Impact Trougher & Flat Carrier

Belt Width	Standard Dimensions				Wide Base	
	A	B	C	D	Aw	Cw
24	33	6	35 1/2	9 1/2	39	41 1/2
30	39	6	41 1/2	9 1/2	45	47 1/2
36	45	6	47 1/2	9 1/2	51	53 1/2
42	51	7 1/2	53 1/2	9 1/2	57	59 1/2
48	57	7 1/2	59 1/2	9 1/2	63	65 1/2
54	63	9	65 1/2	10 15/16	69	71 1/2
60	69	9	71 1/2	10 15/16	75	77 1/2



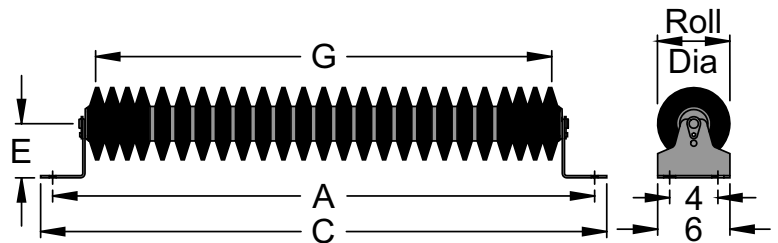
## 20° Unequal Impact Trougher

Belt Width	5" Roll Dia					6" Roll Dia					G	Gw
	Part Number	E	H	K	WT	Part Number	E	H	K	WT		
24	C5-20TUI-24SB	10 3/8	25 9/16	8 5/8	56	C6-20TUI-24SB	10 13/16	25 1/4	9 1/8	64	13 15/16	3 15/16
30	C5-20TUI-30SB	10 3/8	31 1/2	8 5/8	70	C6-20TUI-30SB	10 13/16	31 1/8	9 1/8	78	19 7/8	3 15/16
36	C5-20TUI-36SB	10 3/8	37 7/16	8 5/8	80	C6-20TUI-36SB	10 13/16	37 1/8	9 1/8	91	25 7/8	3 15/16
42	C5-20TUI-42SB	10 3/4	43 7/16	9	99	C6-20TUI-42SB	11 3/16	43 1/8	9 1/2	111	31 7/8	3 15/16
48	C5-20TUI-48SB	10 3/4	49 7/16	9	109	C6-20TUI-48SB	11 3/16	49 1/8	9 1/2	122	37 7/8	3 15/16
54	C5-20TUI-54SB	10 3/4	55 7/16	9	122	C6-20TUI-54SB	11 3/16	55 1/8	9 1/2	137	43 7/8	3 15/16
60	C5-20TUI-60SB	10 3/4	61 7/16	9	134	C6-20TUI-60SB	11 3/16	61 1/8	9 1/2	150	49 7/8	3 15/16

## 35° Unequal Impact Trougher

Belt Width	5" Roll Dia					6" Roll Dia					G	Gw
	Part Number	E	H	K	WT	Part Number	E	H	K	WT		
24	C5-35TUI-24SB	12 5/16	24	8 5/8	56	C6-35TUI-24SB	12 3/4	23 1/2	9 1/8	64	11 3/4	5 1/4
30	C5-35TUI-30SB	13 9/16	29 13/16	8 5/8	67	C6-35TUI-30SB	13 15/16	29 1/4	9 1/8	77	13 15/16	7 7/16
36	C5-35TUI-36SB	13 1/2	34 1/8	8 5/8	77	C6-35TUI-36SB	13 7/8	33 5/8	9 1/8	87	18.25	7 7/16
42	C5-35TUI-42SB	15 1/8	39 3/8	9	99	C6-35TUI-42SB	15 1/2	38 13/16	9 1/2	110	19 7/8	9 5/8
48	C5-35TUI-48SB	15 1/8	45 3/8	9	110	C6-35TUI-48SB	15 1/2	44 13/16	9 1/2	123	25 7/8	9 5/8
54	C5-35TUI-54SB	15 1/8	51 3/8	9	122	C6-35TUI-54SB	15 1/2	50 13/16	9 1/2	136	31 7/8	9 5/8
60	C5-35TUI-60SB	15 1/8	57 3/8	9	133	C6-35TUI-60SB	15 1/2	56 13/16	9 1/2	149	38 7/8	9 5/8

For Idler Replacement Parts & Special Mounting Brackets, download our Idler Replacement Parts Catalog at <http://www.ppipella.com>



\*CEMA recommends D idlers for 54" & 60" flat carrying idlers

## Flat Rubber Disc Carrier

Belt Width	5" Roll Dia				6" Roll Dia				Standard Dimensions		
	E=4 1/2"		E=1 1/2"		E=4 1/2"		E=1 1/2"				
	Part Number	WT	Part Number	WT	Part Number	WT	Part Number	WT	A	C	G
18	C5-FRD-18SB	31	C5-FRD-18SB-1	30	C6-FRD-18SB	37	C6-FRD-18SB-1	36	27	29	19 7/8
20	C5-FRD-20SB	33	C5-FRD-20SB-1	32	C6-FRD-20SB	38	C6-FRD-20SB-1	37	29	31	21 7/8
24	C5-FRD-24SB	38	C5-FRD-24SB-1	37	C6-FRD-24SB	45	C6-FRD-24SB-1	44	33	35	25 7/8
30	C5-FRD-30SB	45	C5-FRD-30SB-1	44	C6-FRD-30SB	53	C6-FRD-30SB-1	52	39	41	31 7/8
36	C5-FRD-36SB	51	C5-FRD-36SB-1	50	C6-FRD-36SB	61	C6-FRD-36SB-1	60	45	47	37 7/8
42	C5-FRD-42SB	58	C5-FRD-42SB-1	57	C6-FRD-42SB	69	C6-FRD-42SB-1	68	51	53	43 7/8
48	C5-FRD-48SB	65	C5-FRD-48SB-1	64	C6-FRD-48SB	78	C6-FRD-48SB-1	77	57	59	49 7/8
54*	C5-FRD-54SB	72	C5-FRD-54SB-1	71	C6-FRD-54SB	86	C6-FRD-54SB-1	85	63	65	55 7/8
60*	C5-FRD-60SB	78	C5-FRD-60SB-1	77	C6-FRD-60SB	88	C6-FRD-60SB-1	87	69	71	61 7/8

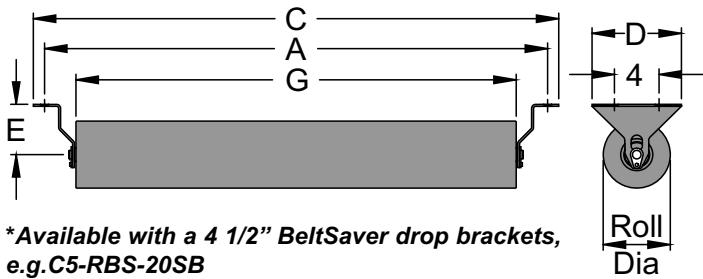
For Mounting Details, see pages 56 & 57.

800.247.1228

[www.ppipella.com](http://www.ppipella.com)



# CEMA C Return & V-Return



For Mounting Details, see pages 56 & 57.

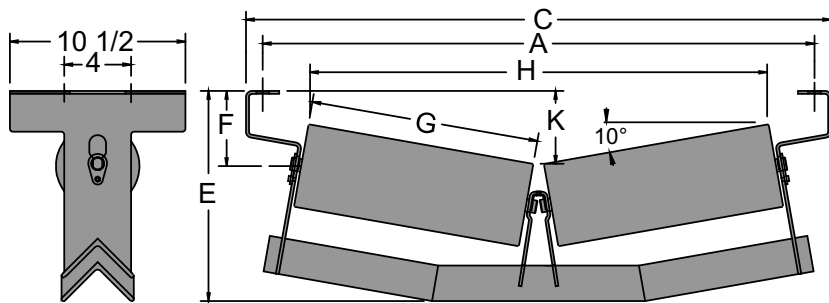
\*Available with a 4 1/2" BeltSaver drop brackets, e.g. C5-RBS-20SB

Belt Width	Standard Dimensions		
	A	C	G
18	27	29	21 3/8
20	29	31	23 3/8
24	33	35	27 3/8
30	39	41	33 3/8
36	45	47	39 3/8
42	51	53	45 3/8
48	57	59	51 3/8
54	63	65	57 3/8
60	69	71	63 3/8

## Return

\*CEMA recommends D idlers for 54" & 60" returns.

Belt Width	4" Roll Dia					5" Roll Dia					6" Roll Dia				
	Std E=4 1/2"		Opt E=1 1/2"		WT	Std E=4 1/2"		Opt E=1 1/2"		WT	Std E=4 1/2"		Opt E=1 1/2"		WT
	Part Number	D	Part Number	D		Part Number	D	Part Number	D		Part Number	D	Part Number	D	
18	C4-R-18SB	8	C4-R-18SB-1	6	20	C5-R-18SB	8	C5-R-18SB-1	6	23	C6-R-18SB	8	C6-R-18SB-1	6	28
20	C4-R-20SB	8	C4-R-20SB-1	6	21	C5-R-20SB	8	C5-R-20SB-1	6	25	C6-R-20SB	8	C6-R-20SB-1	6	30
24	C4-R-24SB	8	C4-R-24SB-1	6	23	C5-R-24SB	8	C5-R-24SB-1	6	28	C6-R-24SB	8	C6-R-24SB-1	6	34
30	C4-R-30SB	8	C4-R-30SB-1	6	27	C5-R-30SB	8	C5-R-30SB-1	6	32	C6-R-30SB	8	C6-R-30SB-1	6	39
36	C4-R-36SB	8	C4-R-36SB-1	6	31	C5-R-36SB	8	C5-R-36SB-1	6	37	C6-R-36SB	8	C6-R-36SB-1	6	45
42	C4-R-42SB	8	C4-R-42SB-1	6	35	C5-R-42SB	8	C5-R-42SB-1	6	41	C6-R-42SB	8	C6-R-42SB-1	6	51
48	C4-R-48SB	8	C4-R-48SB-1	6	38	C5-R-48SB	8	C5-R-48SB-1	6	46	C6-R-48SB	8	C6-R-48SB-1	6	56
54*	C4-R-54SB	8	C4-R-54SB-1	6	42	C5-R-54SB	8	C5-R-54SB-1	6	50	C6-R-54SB	8	C6-R-54SB-1	6	62
60*	C4-R-60SB	8	C4-R-60SB-1	6	46	C5-R-60SB	8	C5-R-60SB-1	6	55	C6-R-60SB	8	C6-R-60SB-1	6	68



Belt Width	Standard Dimensions		
	A	C	G
24	33	35	13 5/8
30	39	41	16 11/16
36	45	47	19 3/4
42	51	53	22 13/16
48	57	59	25 7/8
54	63	65	28 7/8
60	69	71	31 15/16

## V-Return Idler (F = 4 1/2")

Belt Width	5" Roll Dia					6" Roll Dia				
	Part Number	E	H	K	WT	Part Number	E	H	K	WT
24	C5-10VR-24SB-4	12 7/8	27 1/2	4 1/4	45	C6-10VR-24SB-4	12 7/8	27 3/8	3 3/4	54
30	C5-10VR-30SB-4	13 3/8	33 1/2	5	52	C6-10VR-30SB-4	13 3/8	33 3/8	4 1/2	61
36	C5-10VR-36SB-4	13 7/8	39 1/2	5 3/8	57	C6-10VR-36SB-4	13 7/8	39 3/8	4 7/8	68
42	C5-10VR-42SB-4	14 7/16	45 5/8	6	65	C6-10VR-42SB-4	14 7/16	45 7/16	5 1/2	76
48	C5-10VR-48SB-4	14 15/16	51 1/2	6 1/2	72	C6-10VR-48SB-4	14 15/16	51 3/8	6	84
54	C5-10VR-54SB-4	15 1/2	57 1/2	6 3/4	78	C6-10VR-54SB-4	15 1/2	57 3/8	6 1/4	90
60	C5-10VR-60SB-4	16	63 1/2	7 5/8	85	C6-10VR-60SB-4	16	63 3/8	7 1/8	94

## V-Return Idler (F = 7")

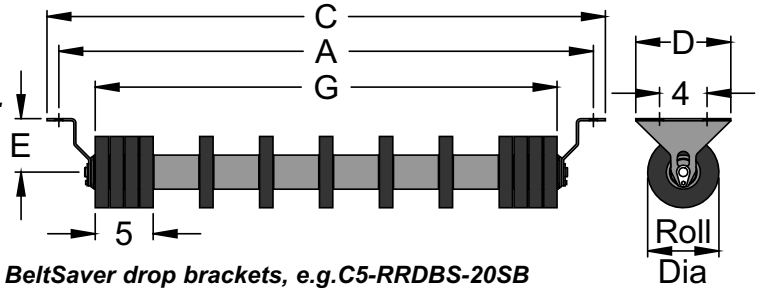
Belt Width	5" Roll Dia					6" Roll Dia				
	Part Number	E	H	K	WT	Part Number	E	H	K	WT
24	C5-10VR-24SB-7	15 3/8	27 1/2	6 3/4	46	C6-10VR-24SB-7	15 3/8	27 3/8	6 1/4	55
30	C5-10VR-30SB-7	15 7/8	33 1/2	7 1/2	53	C6-10VR-30SB-7	15 7/8	33 3/8	7	62
36	C5-10VR-36SB-7	16 7/16	39 1/2	7 7/8	58	C6-10VR-36SB-7	16 7/16	39 3/8	7 3/8	69
42	C5-10VR-42SB-7	16 15/16	45 5/8	8 1/2	66	C6-10VR-42SB-7	16 15/16	45 7/16	8	77
48	C5-10VR-48SB-7	17 7/16	51 1/2	9	73	C6-10VR-48SB-7	17 7/16	51 3/8	8 1/2	85
54	C5-10VR-54SB-7	18	57 1/2	9 1/4	79	C6-10VR-54SB-7	18	57 3/8	8 3/4	91
60	C5-10VR-60SB-7	18 1/2	63 1/2	10 1/8	86	C6-10VR-60SB-7	18 1/2	63 3/8	9 5/8	95



# CEMA C Return Rubber Disc & V-Return

Belt Width	Standard Dimensions		
	A	C	G
18	27	29	20 7/8
20	29	31	22 7/8
24	33	35	26 7/8
30	39	41	32 7/8
36	45	47	38 7/8
42	51	53	44 7/8
48	57	59	50 7/8
54	63	65	56 7/8
60	69	71	62 7/8

For Mounting Details, see pages 56 & 57.



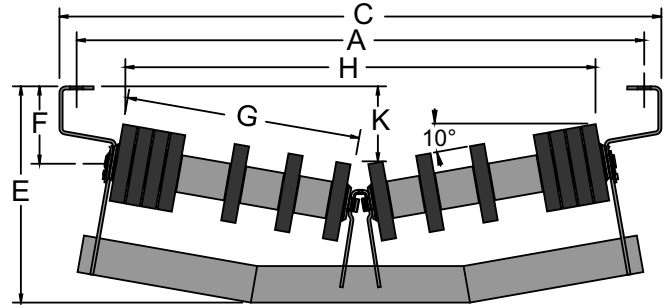
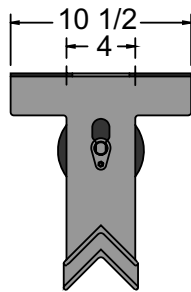
\*Available with a 4 1/2" BeltSaver drop brackets, e.g. C5-RRDBS-20SB

## Return Rubber Disc

\*CEMA recommends D idlers for 54" & 60" returns.

Belt Width	4" Roll Dia						5" Roll Dia						6" Roll Dia								
	Std E=4 1/2"			Opt E=1 1/2"			WT	Std E=4 1/2"			Opt E=1 1/2"			WT	Std E=4 1/2"			Opt E=1 1/2"			WT
	Part Number	D		Part Number	D			Part Number	D		Part Number	D			Part Number	D		Part Number	D		
18	C4-RRD-18SB	8		C4-RRD-18SB-1	6	18	C5-RRD-18SB	8		C5-RRD-18SB-1	6	22	C6-RRD-18SB	8		C6-RRD-18SB-1	6	27			
20	C4-RRD-20SB	8		C4-RRD-20SB-1	6	19	C5-RRD-20SB	8		C5-RRD-20SB-1	6	23	C6-RRD-20SB	8		C6-RRD-20SB-1	6	27			
24	C4-RRD-24SB	8		C4-RRD-24SB-1	6	21	C5-RRD-24SB	8		C5-RRD-24SB-1	6	26	C6-RRD-24SB	8		C6-RRD-24SB-1	6	30			
30	C4-RRD-30SB	8		C4-RRD-30SB-1	6	24	C5-RRD-30SB	8		C5-RRD-30SB-1	6	29	C6-RRD-30SB	8		C6-RRD-30SB-1	6	34			
36	C4-RRD-36SB	8		C4-RRD-36SB-1	6	27	C5-RRD-36SB	8		C5-RRD-36SB-1	6	32	C6-RRD-36SB	8		C6-RRD-36SB-1	6	38			
42	C4-RRD-42SB	8		C4-RRD-42SB-1	6	30	C5-RRD-42SB	8		C5-RRD-42SB-1	6	36	C6-RRD-42SB	8		C6-RRD-42SB-1	6	42			
48	C4-RRD-48SB	8		C4-RRD-48SB-1	6	32	C5-RRD-48SB	8		C5-RRD-48SB-1	6	39	C6-RRD-48SB	8		C6-RRD-48SB-1	6	45			
54*	C4-RRD-54SB	8		C4-RRD-54SB-1	6	35	C5-RRD-54SB	8		C5-RRD-54SB-1	6	42	C6-RRD-54SB	8		C6-RRD-54SB-1	6	49			
60*	C4-RRD-60SB	8		C4-RRD-60SB-1	6	38	C5-RRD-60SB	8		C5-RRD-60SB-1	6	46	C6-RRD-60SB	8		C6-RRD-60SB-1	6	53			

Belt Width	Standard Dimensions		
	A	C	G
24	33	35	13 1/8
30	39	41	16 3/16
36	45	47	19 1/4
42	51	53	22 5/16
48	57	59	25 3/8
54	63	65	28 3/8
60	69	71	31 7/16



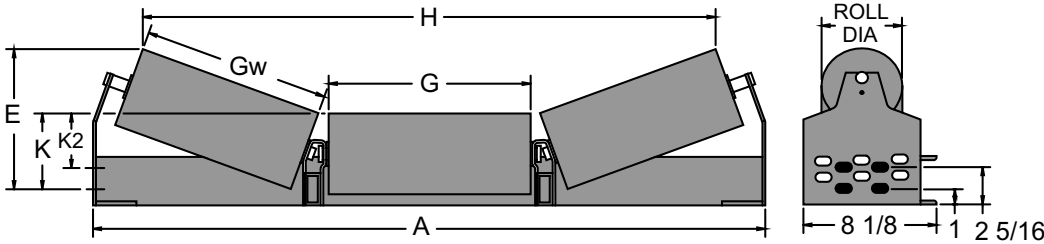
## V-Return Rubber Disc Idler (F = 4 1/2")

Belt Width	5" Roll Dia					6" Roll Dia				
	Part Number	E	H	K	WT	Part Number	E	H	K	WT
24	C5-10VRI-24SB-4	12 7/8	26 7/8	4 1/4	42	C6-10VRI-24SB-4	12 7/8	27 1/16	3 3/4	47
30	C5-10VRI-30SB-4	13 3/8	32 7/8	5	48	C6-10VRI-30SB-4	13 3/8	33 1/16	4 1/2	54
36	C5-10VRI-36SB-4	13 7/8	38 7/8	5 3/8	51	C6-10VRI-36SB-4	13 7/8	39 1/16	4 7/8	59
42	C5-10VRI-42SB-4	14 7/16	44 15/16	6	58	C6-10VRI-42SB-4	14 7/16	45 1/16	5 1/2	65
48	C5-10VRI-48SB-4	14 15/16	50 7/8	6 1/2	63	C6-10VRI-48SB-4	14 15/16	51 1/16	6	70
54	C5-10VRI-54SB-4	15 1/2	56 7/8	6 3/4	68	C6-10VRI-54SB-4	15 1/2	57 1/16	6 1/4	77
60	C5-10VRI-60SB-4	16	62 7/8	7 5/8	75	C6-10VRI-60SB-4	16	63 1/16	7 1/8	85

## V-Return Idler Rubber Disc (F = 7")

Belt Width	5" Roll Dia					6" Roll Dia				
	Part Number	E	H	K	WT	Part Number	E	H	K	WT
24	C5-10VRI-24SB-7	15 3/8	26 7/8	6 3/4	43	C6-10VRI-24SB-7	15 3/8	27 1/16	6 1/4	48
30	C5-10VRI-30SB-7	15 7/8	32 7/8	7 1/2	49	C6-10VRI-30SB-7	15 7/8	33 1/16	7	55
36	C5-10VRI-36SB-7	16 7/16	38 7/8	7 7/8	52	C6-10VRI-36SB-7	16 7/16	39 1/16	7 3/8	60
42	C5-10VRI-42SB-7	16 15/16	44 15/16	8 1/2	59	C6-10VRI-42SB-7	16 15/16	45 1/16	8	66
48	C5-10VRI-48SB-7	17 7/16	50 7/8	9	64	C6-10VRI-48SB-7	17 7/16	51 1/16	8 1/2	71
54	C5-10VRI-54SB-7	18	56 7/8	9 1/4	69	C6-10VRI-54SB-7	18	57 1/16	8 3/4	78
60	C5-10VRI-60SB-7	18 1/2	62 7/8	10 1/8	76	C6-10VRI-60SB-7	18 1/2	63 1/16	9 5/8	86

# CEMA C Channel Inset Trougher & Return



For Mounting Details, see pages 56 & 57.

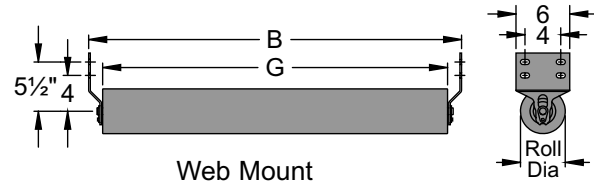
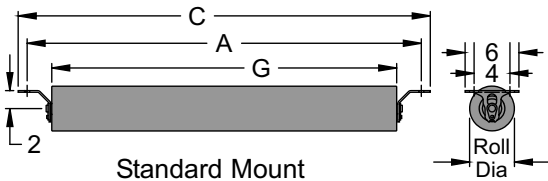
Belt Width	Std. Dim.		
	A	G	Gw
18	23 5/8	6 1/2	5 1/2
20	25 5/8	7 1/8	6 1/8
24	29 5/8	8 1/2	7 1/2
30	35 5/8	10 1/2	9 1/2
36	41 5/8	12 1/2	11 1/2
42	47 5/8	18 1/2	11 1/2
48	53 5/8	24 1/2	11 1/2
54	59 5/8	30 1/2	11 1/2
60	65 5/8	36 1/2	11 1/2

## 20° Channel Inset Trougher

Belt Width	4" Roll Dia						5" Roll Dia					
	Part Number	E	H	K	K2	WT	Part Number	E	H	K	K2	WT
18	C4-20CIT-18SB	6 3/16	18 1/2	4 3/16	2 7/8	34	C5-20CIT-18SB	6 5/8	18	4 11/16	3 3/8	39
20	C4-20CIT-20SB	6 3/8	20 1/4	4 3/16	2 7/8	36	C5-20CIT-20SB	6 7/8	19 15/16	4 11/16	3 3/8	41
24	C4-20CIT-24SB	6 7/8	24 1/4	4 3/16	2 7/8	41	C5-20CIT-24SB	7 5/16	23 7/8	4 11/16	3 3/8	46
30	C4-20CIT-30SB	7 9/16	30	4 3/16	2 7/8	47	C5-20CIT-30SB	8	29 5/8	4 11/16	3 3/8	52
36	C4-20CIT-36SB	8 3/16	35 3/4	4 3/16	2 7/8	53	C5-20CIT-36SB	8 11/16	35 7/16	4 11/16	3 3/8	60
42	C4-20CIT-42SB	8 3/16	41 3/4	4 3/16	2 7/8	59	C5-20CIT-42SB	8 11/16	41 7/16	4 11/16	3 3/8	67
48	C4-20CIT-48SB	8 3/16	47 3/4	4 3/16	2 7/8	65	C5-20CIT-48SB	8 11/16	47 7/16	4 11/16	3 3/8	74
54	C4-20CIT-54SB	8 3/16	53 3/4	4 3/16	2 7/8	71	C5-20CIT-54SB	8 11/16	53 7/16	4 11/16	3 3/8	80
60	C4-20CIT-60SB	8 3/16	59 3/4	4 3/16	2 7/8	75	C5-20CIT-60SB	8 11/16	59 7/16	4 11/16	3 3/8	85

## 35° Channel Inset Trougher

Belt Width	4" Roll Dia						5" Roll Dia					
	Part Number	E	H	K	K2	WT	Part Number	E	H	K	K2	WT
18	C4-35CIT-18SB	7 9/16	17 1/8	4 3/16	2 7/8	36	C5-35CIT-18SB	7 15/16	16 9/16	4 11/16	3 3/8	40
20	C4-35CIT-20SB	7 7/8	18 3/4	4 3/16	2 7/8	38	C5-35CIT-20SB	8 5/16	18 3/16	4 11/16	3 3/8	43
24	C4-35CIT-24SB	8 11/16	22 3/8	4 3/16	2 7/8	42	C5-35CIT-24SB	9 1/16	21 13/16	4 11/16	3 3/8	48
30	C4-35CIT-30SB	9 13/16	27 5/8	4 3/16	2 7/8	49	C5-35CIT-30SB	10 1/4	27 1/16	4 11/16	3 3/8	54
36	C4-35CIT-36SB	11	32 15/16	4 3/16	2 7/8	56	C5-35CIT-36SB	11 3/8	32 5/16	4 11/16	3 3/8	62
42	C4-35CIT-42SB	11	38 15/16	4 3/16	2 7/8	63	C5-35CIT-42SB	11 3/8	38 5/16	4 11/16	3 3/8	70
48	C4-35CIT-48SB	11	44 15/16	4 3/16	2 7/8	68	C5-35CIT-48SB	11 3/8	44 5/16	4 11/16	3 3/8	76
54	C4-35CIT-54SB	11	50 15/16	4 3/16	2 7/8	74	C5-35CIT-54SB	11 3/8	50 5/16	4 11/16	3 3/8	84
60	C4-35CIT-60SB	11	56 15/16	4 3/16	2 7/8	80	C5-35CIT-60SB	11 3/8	56 5/16	4 11/16	3 3/8	90



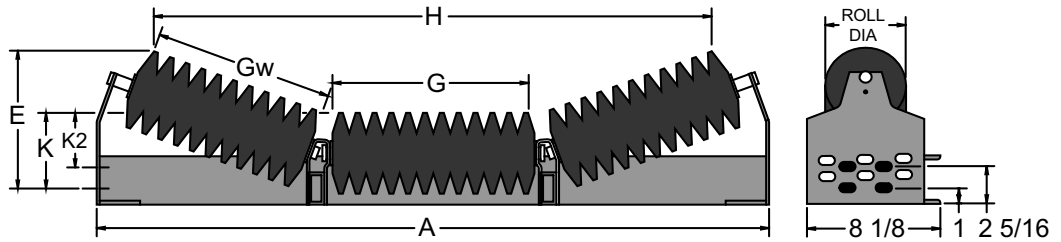
## Channel Inset Return

\*CEMA recommends D idlers for 54" & 60" returns.

Belt Width	Standard Mount				Web Mount				Standard Dimensions			
	4" Roll Dia		5" Roll Dia		4" Roll Dia		5" Roll Dia		A	B	C	G
	Part Number	WT	Part Number	WT	Part Number	WT	Part Number	WT				
18	C4-CIR-18SB	20	C5-CIR-18SB	23	C4-CIRW-18SB	21	C5-CIRW-18SB	24	26	23 5/8	28	20 1/2
20	C4-CIR-20SB	21	C5-CIR-20SB	25	C4-CIRW-20SB	22	C5-CIRW-20SB	26	28	25 5/8	30	22 1/2
24	C4-CIR-24SB	24	C5-CIR-24SB	28	C4-CIRW-24SB	25	C5-CIRW-24SB	29	32	29 5/8	34	26 1/2
30	C4-CIR-30SB	28	C5-CIR-30SB	32	C4-CIRW-30SB	29	C5-CIRW-30SB	33	38	35 5/8	40	32 1/2
36	C4-CIR-36SB	31	C5-CIR-36SB	37	C4-CIRW-36SB	32	C5-CIRW-36SB	38	44	41 5/8	46	38 1/2
42	C4-CIR-42SB	35	C5-CIR-42SB	41	C4-CIRW-42SB	36	C5-CIRW-42SB	42	50	47 5/8	52	44 1/2
48	C4-CIR-48SB	39	C5-CIR-48SB	46	C4-CIRW-48SB	40	C5-CIRW-48SB	47	56	53 5/8	58	50 1/2
54*	C4-CIR-54SB	43	C5-CIR-54SB	50	C4-CIRW-54SB	44	C5-CIRW-54SB	51	62	59 5/8	64	56 1/2
60*	C4-CIR-60SB	46	C5-CIR-60SB	55	C4-CIRW-60SB	47	C5-CIRW-60SB	56	68	65 5/8	70	62 1/2

# CEMA C Channel Inset Impact Trougher & Return

Belt Width	Std. Dim.		
	A	G	Gw
18	23 5/8	5	4
20	25 5/8	5 5/8	4 5/8
24	29 5/8	7	6
30	35 5/8	9	8
36	41 5/8	11	10
42	47 5/8	17	10
48	53 5/8	23	10
54	59 5/8	29	10
60	65 5/8	35	10



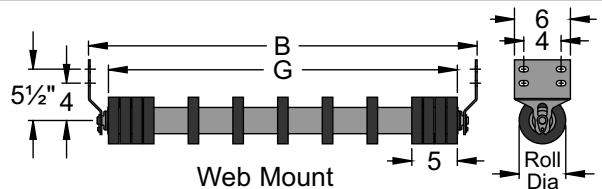
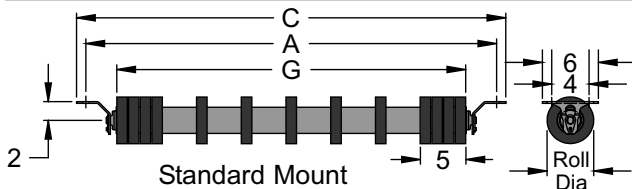
For Mounting Details, see pages 56 & 57.

## 20° Channel Inset Impact Trougher

Belt Width	4" Roll Dia						5" Roll Dia					
	Part Number	E	H	K	K2	WT	Part Number	E	H	K	K2	WT
18	C4-20CITI-18SB	5 15/16	17 1/16	4 3/16	2 7/8	33	C5-20CITI-18SB	6 3/8	16 9/16	4 11/16	3 3/8	37
20	C4-20CITI-20SB	6 1/8	18 13/16	4 3/16	2 7/8	37	C5-20CITI-20SB	6 5/8	18 1/2	4 11/16	3 3/8	40
24	C4-20CITI-24SB	6 5/8	22 13/16	4 3/16	2 7/8	42	C5-20CITI-24SB	7 1/16	22 7/16	4 11/16	3 3/8	46
30	C4-20CITI-30SB	7 5/16	28.5625	4 3/16	2 7/8	50	C5-20CITI-30SB	7 3/4	28 3/16	4 11/16	3 3/8	55
36	C4-20CITI-36SB	7 15/16	34 5/16	4 3/16	2 7/8	56	C5-20CITI-36SB	8 7/16	34	4 11/16	3 3/8	65
42	C4-20CITI-42SB	7 15/16	40 5/16	4 3/16	2 7/8	64	C5-20CITI-42SB	8 7/16	40	4 11/16	3 3/8	74
48	-	-	-	-	-	-	C5-20CITI-48SB	8 7/16	46	4 11/16	3 3/8	84
54	-	-	-	-	-	-	C5-20CITI-54SB	8 7/16	52	4 11/16	3 3/8	94
60	-	-	-	-	-	-	C5-20CITI-60SB	8 7/16	58	4 11/16	3 3/8	102

## 35° Channel Inset Impact Trougher

Belt Width	4" Roll Dia						5" Roll Dia					
	Part Number	E	H	K	K2	WT	Part Number	E	H	K	K2	WT
18	C4-35CITI-18SB	7 1/8	15 7/8	4 3/16	2 7/8	35	C5-35CITI-18SB	7 1/2	15 5/16	4 11/16	3 3/8	39
20	C4-35CITI-20SB	7 7/16	17 1/2	4 3/16	2 7/8	38	C5-35CITI-20SB	7 7/8	16 15/16	4 11/16	3 3/8	41
24	C4-35CITI-24SB	8 1/4	21 1/8	4 3/16	2 7/8	44	C5-35CITI-24SB	8 5/8	20 9/16	4 11/16	3 3/8	47
30	C4-35CITI-30SB	9 3/8	26 3/8	4 3/16	2 7/8	52	C5-35CITI-30SB	9 13/16	25 13/16	4 11/16	3 3/8	58
36	C4-35CITI-36SB	10 9/16	31 11/16	4 3/16	2 7/8	59	C5-35CITI-36SB	10 15/16	31 1/16	4 11/16	3 3/8	67
42	C4-35CITI-42SB	10 9/16	37 11/16	4 3/16	2 7/8	66	C5-35CITI-42SB	10 15/16	37 1/16	4 11/16	3 3/8	77
48	-	-	-	-	-	-	C5-35CITI-48SB	10 15/16	43 1/16	4 11/16	3 3/8	89
54	-	-	-	-	-	-	C5-35CITI-54SB	10 15/16	49 1/16	4 11/16	3 3/8	98
60	-	-	-	-	-	-	C5-35CITI-60SB	10 15/16	55 1/16	4 11/16	3 3/8	107



## Channel Inset Return Rubber Disc

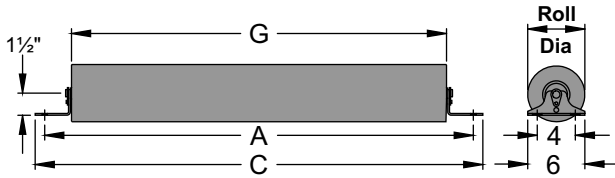
\*CEMA recommends D idlers for 54" & 60" returns.

Belt Width	Standard Mount				Web Mount				Standard Dimensions			
	4" Roll Dia		5" Roll Dia		4" Roll Dia		5" Roll Dia					
	Part Number	WT	Part Number	WT	Part Number	WT	Part Number	WT	A	B	C	G
18	C4-CIRRD-18SB	16	C5-CIRRD-18SB	23	C4-CIRRDW-18SB	18	C5-CIRRDW-18SB	25	26	23 5/8	28	20
20	C4-CIRRD-20SB	17	C5-CIRRD-20SB	23	C4-CIRRDW-20SB	19	C5-CIRRDW-20SB	25	28	25 5/8	30	22
24	C4-CIRRD-24SB	19	C5-CIRRD-24SB	25	C4-CIRRDW-24SB	21	C5-CIRRDW-24SB	27	32	29 5/8	34	26
30	C4-CIRRD-30SB	22	C5-CIRRD-30SB	29	C4-CIRRDW-30SB	24	C5-CIRRDW-30SB	31	38	35 5/8	40	32
36	C4-CIRRD-36SB	25	C5-CIRRD-36SB	32	C4-CIRRDW-36SB	27	C5-CIRRDW-36SB	34	44	41 5/8	46	38
42	C4-CIRRD-42SB	27	C5-CIRRD-42SB	36	C4-CIRRDW-42SB	29	C5-CIRRDW-42SB	38	50	47 5/8	52	44
48	C4-CIRRD-48SB	30	C5-CIRRD-48SB	39	C4-CIRRDW-48SB	32	C5-CIRRDW-48SB	41	56	53 5/8	58	50
54*	C4-CIRRD-54SB	32	C5-CIRRD-54SB	42	C4-CIRRDW-54SB	34	C5-CIRRDW-54SB	44	62	59 5/8	64	56
60*	C4-CIRRD-60SB	35	C5-CIRRD-60SB	46	C4-CIRRDW-60SB	37	C5-CIRRDW-60SB	48	68	65 5/8	70	62

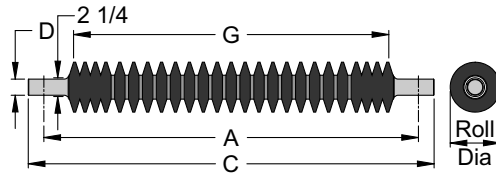
# CEMA C CIF, LSI & IVR

For Mounting Details, see pages 56 & 57.

Channel Inset Flat Carrier							
Belt Width	4" Roll Dia		5" Roll Dia		Standard Dimensions		
	Part Number	WT	Part Number	WT	A	C	G
18	C4-CIF-18SB	20	C5-CIF-18SB	23	26	28	20 1/2
20	C4-CIF-20SB	21	C5-CIF-20SB	25	28	30	22 1/2
24	C4-CIF-24SB	24	C5-CIF-24SB	28	32	34	26 1/2
30	C4-CIF-30SB	28	C5-CIF-30SB	32	38	40	32 1/2
36	C4-CIF-36SB	31	C5-CIF-36SB	37	44	46	38 1/2
42	C4-CIF-42SB	35	C5-CIF-42SB	42	50	52	44 1/2
48	C4-CIF-48SB	39	C5-CIF-48SB	46	56	58	50 1/2
54*	C4-CIF-54SB	43	C5-CIF-54SB	51	62	64	56 1/2
60*	C4-CIF-60SB	46	C5-CIF-60SB	55	68	70	62 1/2



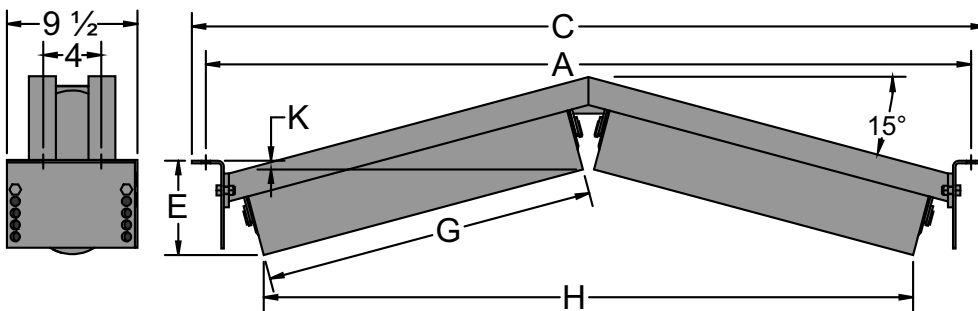
\*CEMA recommends D idlers for 54 & 60 flat carrying idlers.



Live Shaft Idlers are available in several different configurations, such as with different bearing journal diameters or as a steel can. Please contact Precision Pulley & Idler with your requirements.

## Live Shaft Impact Flat Carrier

Belt Width	5" Roll Dia			6" Roll Dia			Standard Dimensions		
	Part# (D=1 7/16)	Part# (D=1 15/16)	WT	Part# (D=1 7/16)	Part# (D=1 15/16)	WT	A	C	G
18	C5-23LSI-18	C5-31LSI-18	44	C6-23LSI-18	C6-31LSI-18	48	27	30 3/4	19 7/8
20	C5-23LSI-20	C5-31LSI-20	48	C6-23LSI-20	C6-31LSI-20	52	29	32 3/4	21 7/8
24	C5-23LSI-24	C5-31LSI-24	54	C6-23LSI-24	C6-31LSI-24	60	33	36 3/4	25 7/8
30	C5-23LSI-30	C5-31LSI-30	64	C6-23LSI-30	C6-31LSI-30	71	39	42 3/4	31 7/8
36	C5-23LSI-36	C5-31LSI-36	74	C6-23LSI-36	C6-31LSI-36	82	45	48 3/4	37 7/8
42	C5-23LSI-42	C5-31LSI-42	84	C6-23LSI-42	C6-31LSI-42	94	51	54 3/4	43 7/8
48	C5-23LSI-48	C5-31LSI-48	94	C6-23LSI-48	C6-31LSI-48	105	57	60 3/4	49 7/8
54	C5-23LSI-54	C5-31LSI-54	104	C6-23LSI-54	C6-31LSI-54	116	63	66 3/4	55 7/8
60	C5-23LSI-60	C5-31LSI-60	114	C6-23LSI-60	C6-31LSI-60	128	69	72 3/4	61 7/8



Belt Width	Std. Dim.		
	A	C	G
18	27	29	8 15/16
24	33	35	11 1/8
30	39	41	15 7/16
36	45	47	17 5/8
42	51	53	21 3/4
48	57	59	24 1/2
54	63	65	27 3/8
60	69	71	30 1/2

## Inverted V-Return

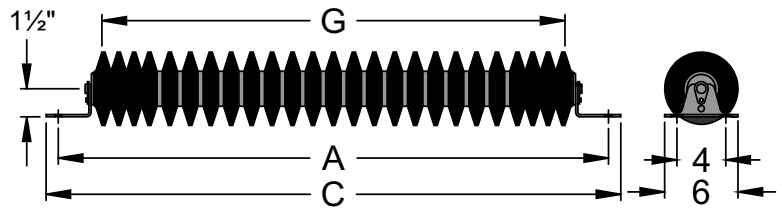
Belt Width	5" Roll Dia					6" Roll Dia				
	Part Number	E	H	K	WT	Part Number	E	H	K	WT
18	C5-15IVR-18SB-4	6 3/8	18 1/16	2 3/4	47	C6-15IVR-18SB-4	6 7/8	18 3/16	3 1/4	54
24	C5-15IVR-24SB-4	6 3/16	22 5/16	1 15/16	55	C6-15IVR-24SB-4	6 5/8	22 7/16	2 7/16	62
30	C5-15IVR-30SB-4	6 1/2	30 5/8	1 3/16	66	C6-15IVR-30SB-4	7	30 3/4	1 11/16	75
36	C5-15IVR-36SB-4	6 5/16	34 13/16	3/8	73	C6-15IVR-36SB-4	6 3/4	35	7/8	83
42	C5-15IVR-42SB-4	6 9/16	42 13/16	- 3/8	83	C6-15IVR-42SB-4	7 1/16	42 15/16	1/8	95
48	C5-15IVR-48SB-4	6 1/2	48 1/8	-1 3/16	92	C6-15IVR-48SB-4	7	48 1/4	- 11/16	105
54	C5-15IVR-54SB-4	6 9/16	53 11/16	-1 15/16	102	C6-15IVR-54SB-4	7 1/16	53 7/8	-1 1/2	114
60	C5-15IVR-60SB-4	6 1/2	59 11/16	-2 3/4	111	C6-15IVR-60SB-4	7	59 7/8	-2 1/4	121

Dimensions are for the top position. There are 4 additional positions possible.

# CEMA C CIFRD, LSRRD, & IVRI

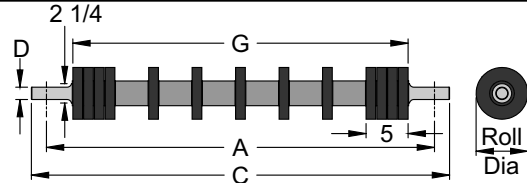
For Mounting Details, see pages 56 & 57.

Channel Inset Flat Impact					
Belt Width	5" Roll Dia		Standard Dimensions		
	Part Number	WT	A	C	G
18	C5-CIFRD-18SB	23	26	28	19
20	C5-CIFRD-20SB	23	28	30	21
24	C5-CIFRD-24SB	25	32	34	25
30	C5-CIFRD-30SB	29	38	40	31
36	C5-CIFRD-36SB	32	44	46	37
42	C5-CIFRD-42SB	36	50	52	43
48	C5-CIFRD-48SB	39	56	58	49
54*	C5-CIFRD-54SB	42	62	64	55
60*	C5-CIFRD-60SB	46	68	70	61



\*CEMA recommends D idlers for 54 & 60 flat carrying idlers.

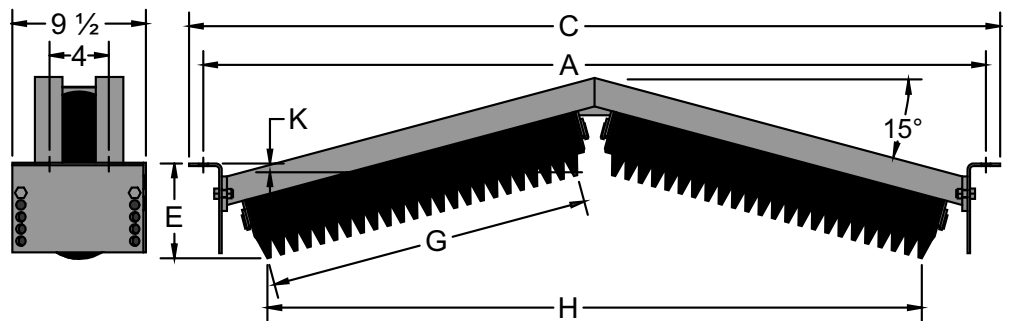
Live Shaft Idlers are available in several different configurations, such as with different bearing journal diameters or as a steel can. Please contact Precision Pulley & Idler with your requirements.



## Live Shaft Return Rubber Disc

Belt Width	5" Roll Dia			6" Roll Dia			Standard Dimensions		
	Part# (D=1 7/16)	Part# (D=1 15/16)	WT	Part# (D=1 7/16)	Part# (D=1 15/16)	WT	A	C	G
18	C5-23LSRRD-18	C5-31LSRRD-18	28	C6-23LSRRD-18	C6-31LSRRD-18	33	27	30 1/2	20 7/8
20	C5-23LSRRD-20	C5-31LSRRD-20	29	C6-23LSRRD-20	C6-31LSRRD-20	33	29	32 1/2	22 7/8
24	C5-23LSRRD-24	C5-31LSRRD-24	32	C6-23LSRRD-24	C6-31LSRRD-24	37	33	36 1/2	26 7/8
30	C5-23LSRRD-30	C5-31LSRRD-30	36	C6-23LSRRD-30	C6-31LSRRD-30	42	39	42 1/2	32 7/8
36	C5-23LSRRD-36	C5-31LSRRD-36	40	C6-23LSRRD-36	C6-31LSRRD-36	46	45	48 1/2	38 7/8
42	C5-23LSRRD-42	C5-31LSRRD-42	44	C6-23LSRRD-42	C6-31LSRRD-42	50	51	54 1/2	44 7/8
48	C5-23LSRRD-48	C5-31LSRRD-48	48	C6-23LSRRD-48	C6-31LSRRD-48	55	57	60 1/2	50 7/8
54	C5-23LSRRD-54	C5-31LSRRD-54	53	C6-23LSRRD-54	C6-31LSRRD-54	59	63	66 1/2	56 7/8
60	C5-23LSRRD-60	C5-31LSRRD-60	57	C6-23LSRRD-60	C6-31LSRRD-60	64	69	72 1/2	62 7/8

Belt Width	Std. Dim.		
	A	C	G
18	27	29	7 7/16
24	33	35	9 5/8
30	39	41	13 15/16
36	45	47	16 1/8
42	51	53	20 1/4
48	57	59	23
54	63	65	25 7/8
60	69	71	29



## Inverted V-Return Rubber Disc

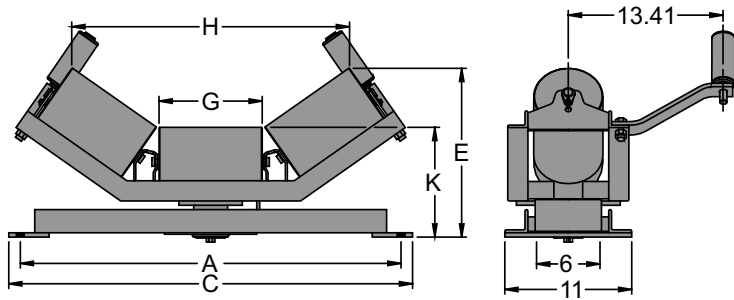
Belt Width	5" Roll Dia					6" Roll Dia				
	Part Number	E	H	K	WT	Part Number	E	H	K	WT
18	C515IVRI18SB-4	6 3/8	17 1/16	2 3/4	49	C615IVRI18SB-4	6 7/8	17 3/16	3 1/4	56
24	C515IVRI24SB-4	6 3/16	21 5/16	1 15/16	58	C615IVRI24SB-4	6 5/8	21 7/16	2 7/16	65
30	C515IVRI30SB-4	6 1/2	29 5/8	1 3/16	73	C615IVRI30SB-4	7	29 3/4	1 11/16	82
36	C515IVRI36SB-4	6 5/16	33 13/16	3/8	80	C615IVRI36SB-4	6 3/4	34	7/8	90
42	C515IVRI42SB-4	6 9/16	41 13/16	- 3/8	94	C615IVRI42SB-4	7 1/16	41 15/16	1/8	106
48	C515IVRI48SB-4	6 1/2	47 1/8	- 1 3/16	101	C615IVRI48SB-4	7	47 1/4	- 11/16	114
54	C515IVRI54SB-4	6 9/16	52 11/16	- 1 15/16	116	C615IVRI54SB-4	7 1/16	52 7/8	- 1 1/2	128
60	C515IVRI60SB-4	6 1/2	58 11/16	- 2 3/4	121	C615IVRI60SB-4	7	58 7/8	- 2 1/4	131

Dimensions are for the top position. There are 4 additional positions possible.

Subject to change without notice

# CEMA C Self-Aligner - Trougher

For Reversing Belts, see our Reversing SA Flyer.



Belt Width	Std. Dim.			Roll Height "K"			Wide Base	
	A	C	G	4"	5"	6"	Aw	Cw
18	27	29	6 3/4	8 1/2	9	9 1/2	33	35
20	29	31	7 5/8	8 1/2	9	9 1/2	35	37
24	33	35	8 15/16	8 1/2	9	9 1/2	39	41
30	39	41	11 1/8	8 1/2	9	9 1/2	45	47
36	45	47	13 1/4	8 1/2	9	9 1/2	51	53
42	51	53	15 7/16	9	9 1/2	10	57	59
48	57	59	17 5/8	9	9 1/2	10	63	65
54	63	65	19 3/4	9	9 1/2	10	69	71
60	69	71	21 3/4	9	9 1/2	10	75	77

## 20° Self-Aligner Equal Trougher

Belt Width	4" Roll Dia				5" Roll Dia				6" Roll Dia			
	Part Number	E	H	WT	Part Number	E	H	WT	Part Number	E	H	WT
18	C4-20TESA-18SB	10 15/16	21 1/16	90	C5-20TESA-18SB	11 7/16	20 11/16	94	C6-20TESA-18SB	11 7/8	20 3/8	102
20	C4-20TESA-20SB	11 1/4	23 9/16	94	C5-20TESA-20SB	11 3/4	23 1/4	98	C6-20TESA-20SB	12 3/16	22 7/8	107
24	C4-20TESA-24SB	11 11/16	27 3/8	100	C5-20TESA-24SB	12 3/16	27 1/16	105	C6-20TESA-24SB	12 5/8	26 11/16	115
30	C4-20TESA-30SB	12 1/2	33 5/8	111	C5-20TESA-30SB	12 15/16	33 3/8	116	C6-20TESA-30SB	13 7/16	32 15/16	127
36	C4-20TESA-36SB	13 3/16	39 3/4	121	C5-20TESA-36SB	13 11/16	39 7/16	127	C6-20TESA-36SB	14 1/8	39 1/8	140
42	C4-20TESA-42SB	14 7/16	46 1/16	148	C5-20TESA-42SB	14 15/16	45 3/4	155	C6-20TESA-42SB	15 3/8	45 7/16	169
48	C4-20TESA-48SB	15 3/16	52 3/8	161	C5-20TESA-48SB	15 11/16	52 1/16	169	C6-20TESA-48SB	16 1/8	51 3/4	184
54	C4-20TESA-54SB	15 15/16	58 1/2	173	C5-20TESA-54SB	16 3/8	58 3/16	182	C6-20TESA-54SB	16 7/8	57 13/16	199
60	C4-20TESA-60SB	16 9/16	64 1/4	185	C5-20TESA-60SB	17 1/16	63 7/8	194	C6-20TESA-60SB	17 1/2	63 9/16	213

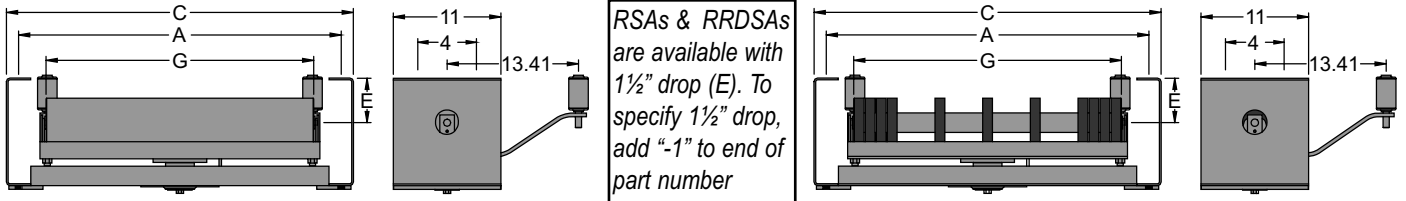
## 35° Self-Aligner Equal Trougher

Belt Width	4" Roll Dia				5" Roll Dia				6" Roll Dia			
	Part Number	E	H	WT	Part Number	E	H	WT	Part Number	E	H	WT
18	C4-35TESA-18SB	12 5/8	19 3/8	94	C5-35TESA-18SB	13 1/16	18 13/16	97	C6-35TESA-18SB	13 9/16	18 1/4	106
20	C4-35TESA-20SB	13 1/8	21 11/16	98	C5-35TESA-20SB	13 9/16	21 1/8	101	C6-35TESA-20SB	14	20 9/16	111
24	C4-35TESA-24SB	13 7/8	25 1/8	104	C5-35TESA-24SB	14 5/16	24 9/16	108	C6-35TESA-24SB	14 3/4	24 1/16	118
30	C4-35TESA-30SB	15 1/8	30 15/16	114	C5-35TESA-30SB	15 9/16	30 3/8	119	C6-35TESA-30SB	16 1/16	29 13/16	131
36	C4-35TESA-36SB	16 5/16	36 1/2	124	C5-35TESA-36SB	16 3/4	35 15/16	130	C6-35TESA-36SB	17 3/16	35 7/16	143
42	C4-35TESA-42SB	18 1/8	42 5/16	153	C5-35TESA-42SB	18 9/16	41 3/4	159	C6-35TESA-42SB	18 15/16	41 3/16	174
48	C4-35TESA-48SB	19 3/8	48 1/16	165	C5-35TESA-48SB	19 13/16	47 1/2	173	C6-35TESA-48SB	20 3/16	46 15/16	188
54	C4-35TESA-54SB	20 5/8	53 11/16	177	C5-35TESA-54SB	21	53 1/8	186	C6-35TESA-54SB	21 7/16	52 9/16	203
60	C4-35TESA-60SB	21 3/4	58 15/16	189	C5-35TESA-60SB	22 3/16	58 3/8	198	C6-35TESA-60SB	22 9/16	57 7/8	217

## 45° Self-Aligner Equal Trougher

Belt Width	4" Roll Dia				5" Roll Dia				6" Roll Dia			
	Part Number	E	H	WT	Part Number	E	H	WT	Part Number	E	H	WT
18	C4-45TESA-18SB	13 11/16	18 1/8	94	C5-45TESA-18SB	13 7/8	17 1/2	98	C6-45TESA-18SB	14 3/8	16 13/16	106
20	C4-45TESA-20SB	14 1/4	20 5/16	98	C5-45TESA-20SB	14 1/2	19 5/8	102	C6-45TESA-20SB	15	18 15/16	111
24	C4-45TESA-24SB	15 3/16	23 3/8	104	C5-45TESA-24SB	15 3/8	22 3/4	109	C6-45TESA-24SB	15 7/8	22 1/8	119
30	C4-45TESA-30SB	16 3/4	28 11/16	115	C5-45TESA-30SB	16 15/16	28 1/16	120	C6-45TESA-30SB	17 1/2	27 3/8	131
36	C4-45TESA-36SB	18 1/4	33 7/8	125	C5-45TESA-36SB	18 7/16	33 1/8	131	C6-45TESA-36SB	18 15/16	32 5/16	143
42	C4-45TESA-42SB	20 5/16	39 1/8	153	C5-45TESA-42SB	20 7/16	38 7/16	160	C6-45TESA-42SB	21	37 11/16	175
48	C4-45TESA-48SB	21 7/8	44 7/16	166	C5-45TESA-48SB	22	43 11/16	174	C6-45TESA-48SB	22 9/16	43 1/16	189
54	C4-45TESA-54SB	23 3/8	49 9/16	178	C5-45TESA-54SB	23 11/16	48 13/16	187	C6-45TESA-54SB	24 1/16	48 1/16	204
60	C4-45TESA-60SB	24 3/4	54 3/8	190	C5-45TESA-60SB	25 1/8	53 11/16	199	C6-45TESA-60SB	25 7/16	53	218

# CEMA C Self-Aligner - Return & Flat



## Return Self-Aligner

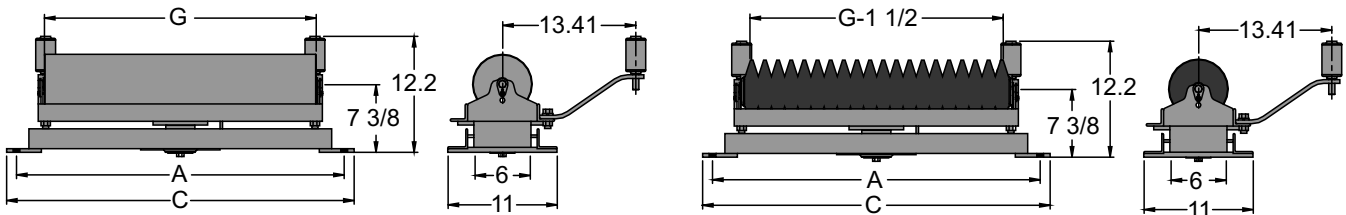
\*CEMA recommends D idlers for 54" & 60" returns.

Belt Width	4" Roll Dia		5" Roll Dia		6" Roll Dia		Standard Dimensions				Wide Base	
	Part Number	WT	Part Number	WT	Part Number	WT	A	C	E	G	Aw	Cw
18	C4-RSA-18SB	96	C5-RSA-18SB	100	C6-RSA-18SB	106	27	29	4 1/2	21 3/8	33	35
20	C4-RSA-20SB	100	C5-RSA-20SB	103	C6-RSA-20SB	110	29	31	4 1/2	23 3/8	35	37
24	C4-RSA-24SB	106	C5-RSA-24SB	110	C6-RSA-24SB	117	33	35	4 1/2	27 3/8	39	41
30	C4-RSA-30SB	116	C5-RSA-30SB	121	C6-RSA-30SB	129	39	41	4 1/2	33 3/8	45	47
36	C4-RSA-36SB	126	C5-RSA-36SB	131	C6-RSA-36SB	141	45	47	4 1/2	39 3/8	51	53
42	C4-RSA-42SB	141	C5-RSA-42SB	147	C6-RSA-42SB	159	51	53	4 1/2	45 3/8	57	59
48	C4-RSA-48SB	153	C5-RSA-48SB	160	C6-RSA-48SB	172	57	59	4 1/2	51 3/8	63	65
54*	C4-RSA-54SB	163	C5-RSA-54SB	171	C6-RSA-54SB	185	63	65	4 1/2	57 3/8	69	71
60*	C4-RSA-60SB	174	C5-RSA-60SB	182	C6-RSA-60SB	197	69	71	4 1/2	63 3/8	75	77

## Return Rubber Disc Self-Aligner

\*CEMA recommends D idlers for 54" & 60" returns.

Belt Width	4" Roll Dia		5" Roll Dia		6" Roll Dia		Standard Dimensions				Wide Base	
	Part Number	WT	Part Number	WT	Part Number	WT	A	C	E	G	Aw	Cw
18	C4-RRDSA-18SB	96	C5-RRDSA-18SB	99	C6-RRDSA-18SB	103	27	29	4 1/2	20 7/8	33	35
20	C4-RRDSA-20SB	99	C5-RRDSA-20SB	102	C6-RRDSA-20SB	106	29	31	4 1/2	22 7/8	35	37
24	C4-RRDSA-24SB	105	C5-RRDSA-24SB	108	C6-RRDSA-24SB	113	33	35	4 1/2	26 7/8	39	41
30	C4-RRDSA-30SB	113	C5-RRDSA-30SB	117	C6-RRDSA-30SB	122	39	41	4 1/2	32 7/8	45	47
36	C4-RRDSA-36SB	122	C5-RRDSA-36SB	127	C6-RRDSA-36SB	132	45	47	4 1/2	38 7/8	51	53
42	C4-RRDSA-42SB	137	C5-RRDSA-42SB	141	C6-RRDSA-42SB	148	51	53	4 1/2	44 7/8	57	59
48	C4-RRDSA-48SB	147	C5-RRDSA-48SB	152	C6-RRDSA-48SB	159	57	59	4 1/2	50 7/8	63	65
54*	C4-RRDSA-54SB	157	C5-RRDSA-54SB	162	C6-RRDSA-54SB	169	63	65	4 1/2	56 7/8	69	71
60*	C4-RRDSA-60SB	167	C5-RRDSA-60SB	172	C6-RRDSA-60SB	179	69	71	4 1/2	62 7/8	75	77



## Flat Carrier Self-Aligner

\*CEMA recommends D idlers for 54" & 60" flat carrying idlers

Belt Width	Steel Rolls						Rubber Disc Rolls				Standard Dimensions			Wide Base	
	4" Roll Dia		5" Roll Dia		6" Roll Dia		5" Roll Dia		6" Roll Dia		A	C	G	Aw	Cw
	Part Number	WT	Part Number	WT	Part Number	WT	Part Number	WT	Part Number	WT					
18	C4-FSA-18SB	80	C5-FSA-18SB	83	C6-FSA-18SB	89	C5-FRDSA-18SB	89	C6-FRDSA-18SB	95	27	29	21 3/8	33	35
20	C4-FSA-20SB	84	C5-FSA-20SB	87	C6-FSA-20SB	93	C5-FRDSA-20SB	93	C6-FRDSA-20SB	99	29	31	23 3/8	35	37
24	C4-FSA-24SB	90	C5-FSA-24SB	94	C6-FSA-24SB	101	C5-FRDSA-24SB	102	C6-FRDSA-24SB	109	33	35	27 3/8	39	41
30	C4-FSA-30SB	100	C5-FSA-30SB	104	C6-FSA-30SB	113	C5-FRDSA-30SB	114	C6-FRDSA-30SB	123	39	41	33 3/8	45	47
36	C4-FSA-36SB	110	C5-FSA-36SB	115	C6-FSA-36SB	125	C5-FRDSA-36SB	127	C6-FRDSA-36SB	137	45	47	39 3/8	51	53
42	C4-FSA-42SB	126	C5-FSA-42SB	132	C6-FSA-42SB	143	C5-FRDSA-42SB	146	C6-FRDSA-42SB	157	51	53	45 3/8	57	59
48	C4-FSA-48SB	136	C5-FSA-48SB	143	C6-FSA-48SB	156	C5-FRDSA-48SB	159	C6-FRDSA-48SB	172	57	59	51 3/8	63	65
54*	C4-FSA-54SB	147	C5-FSA-54SB	155	C6-FSA-54SB	169	C5-FRDSA-54SB	172	C6-FRDSA-54SB	187	63	65	57 3/8	69	71
60*	C4-FSA-60SB	157	C5-FSA-60SB	166	C6-FSA-60SB	181	C5-FRDSA-60SB	186	C6-FRDSA-60SB	202	69	71	63 3/8	75	77

For Wide Base Option, add WB to end of the part number.

800.247.1228

www.ppipella.com



# D Series Idler Features

**D series idlers designed and built to handle the big loads**

- Designed and manufactured for a long trouble free life with no greasing
- Maintenance free high quality sealed ball bearings.
- Conform to CEMA standards for dimensions and meet or exceed D series load ratings

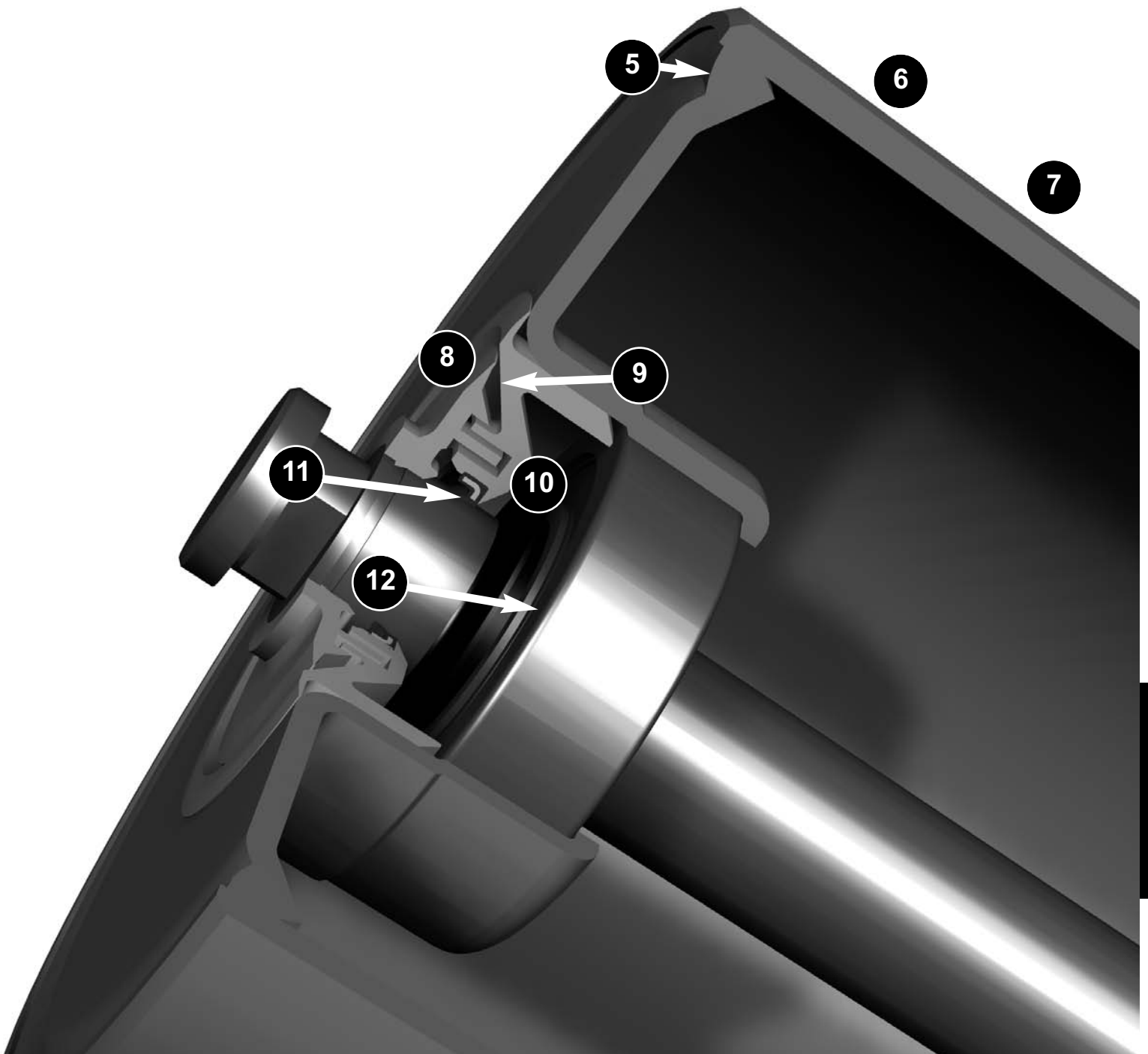


## CEMA D LOAD RATINGS

BELT WIDTH	TROUGHING ANGLE			RETURN & FLAT	UNEQUAL (Picking)	LIVE SHAFT
	20°	35°	45°			
18	1,200	1,200	1,200	600		
24	1,200	1,200	1,200	600	600	1,400
30	1,200	1,200	1,200	600	600	1,400
36	1,200	1,200	1,200	600	600	1,400
42	1,200	1,200	1,200	500	600	1,400
48	1,200	1,200	1,200	425	530	1,275
54	1,200	1,116	1,080	375	440	1,150
60	1,150	1,070	1,035	280	440	1,000
72	1,050	977	945	155	280	850
Two roll V>Returns (All)				850		

1. Wide heavy duty formed end brackets
2. Heavy Duty foot pads for a solid base
3. Wide center brackets for heavy loads
4. Designed with minimal roll gaps
5. Roll weld protected from belt wear by the full thickness of the tubing



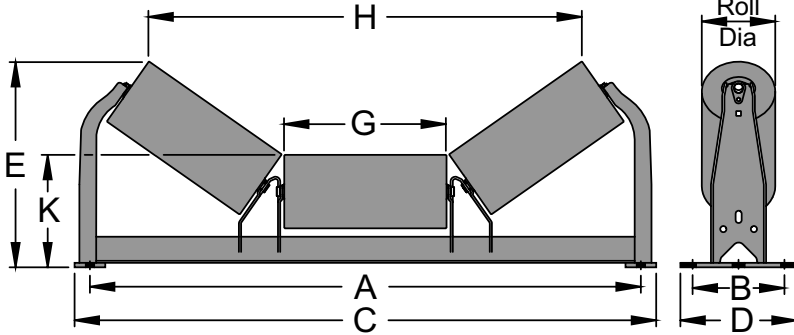


- 6. Full thickness tubing for the length of the roll with a 1/4" wall option
- 7. Extremely low T.I.R. or runout
- 8. Large diameter stationary outer seal
- 9. Highly effective flinger seal
- 10. Effective radial and labyrinth seals

- 11. Long lasting nitrile contact seal protected from the environment
- 12. Solid shaft and heavy duty, high quality ball bearings with the manufacturer's contact seals

# CEMA D Equal Troughers

For Mounting Details, see pages 56 & 57.



Belt Width	Standard Dimensions					Wide Base	
	A	B	C	D	G	Aw	Cw
24	33	6	35	8	8 15/16	39	41
30	39	6	41 1/2	9 1/2	11 1/8	45	47 1/2
36	45	6	47 1/2	9 1/2	13 1/4	51	53 1/2
42	51	7 1/2	53 1/2	9 1/2	15 7/16	57	59 1/2
48	57	7 1/2	59 1/2	9 1/2	17 5/8	63	65 1/2
54	63	9	65 1/2	10 15/16	19 3/4	69	71 1/2
60	69	9	71 1/2	10 15/16	21 3/4	75	77 1/2
72	81	9	83 1/2	10 15/16	26	87	89 1/2

## 20° Equal Trougher

Belt Width	5" Roll Dia					6" Roll Dia				
	Part Number	E	H	K	WT	Part Number	E	H	K	WT
24	D5-20TE-24SB	11 11/16	27 1/16	8 1/2	48	D6-20TE-24SB	12 1/8	26 11/16	9	56
30	D5-20TE-30SB	12 9/16	33 3/8	8 5/8	58	D6-20TE-30SB	13 1/16	32 15/16	9 1/8	66
36	D5-20TE-36SB	13 5/16	39 7/16	8 5/8	65	D6-20TE-36SB	13 3/4	39 1/8	9 1/8	75
42	D5-20TE-42SB	14 7/16	45 3/4	9	82	D6-20TE-42SB	14 7/8	45 7/16	9 1/2	93
48	D5-20TE-48SB	15 3/16	52 1/16	9	91	D6-20TE-48SB	15 5/8	51 3/4	9 1/2	103
54	D5-20TE-54SB	16 1/4	58 3/16	9 1/2	105	D6-20TE-54SB	16 3/4	57 13/16	10	118
60	D5-20TE-60SB	16 7/8	63 7/8	9 1/2	113	D6-20TE-60SB	17 3/8	63 9/16	10	128
72	D5-20TE-72SB	18 3/8	76 3/16	9 1/2	127	D6-20TE-72SB	18 7/8	75 13/16	10	147

## 35° Equal Trougher

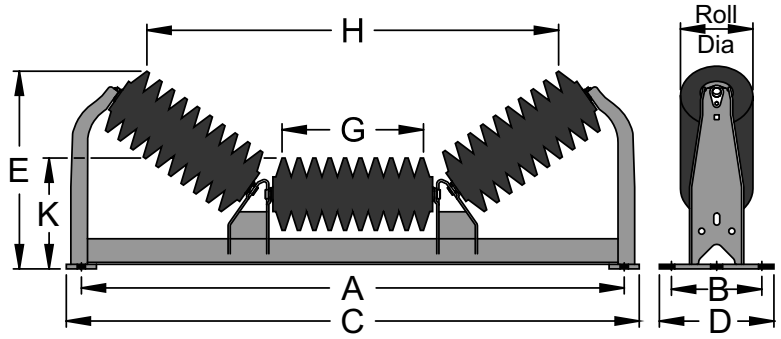
Belt Width	5" Roll Dia					6" Roll Dia				
	Part Number	E	H	K	WT	Part Number	E	H	K	WT
24	D5-35TE-24SB	13 13/16	24 9/16	8 1/2	50	D6-35TE-24SB	14 1/4	24 1/16	9	57
30	D5-35TE-30SB	15 3/16	30 3/8	8 5/8	59	D6-35TE-30SB	15 11/16	29 13/16	9 1/8	68
36	D5-35TE-36SB	16 3/8	35 15/16	8 5/8	67	D6-35TE-36SB	16 13/16	35 7/16	9 1/8	76
42	D5-35TE-42SB	18 1/16	41 3/4	9	85	D6-35TE-42SB	18 7/16	41 3/16	9 1/2	96
48	D5-35TE-48SB	19 5/16	47 1/2	9	94	D6-35TE-48SB	19 11/16	46 15/16	9 1/2	106
54	D5-35TE-54SB	20 7/8	53 1/8	9 1/2	111	D6-35TE-54SB	21 5/16	52 9/16	10	125
60	D5-35TE-60SB	22 1/16	58 3/8	9 1/2	119	D6-35TE-60SB	22 7/16	57 7/8	10	134
72	D5-35TE-72SB	24 7/16	69 9/16	9 1/2	136	D6-35TE-72SB	24 7/8	69 1/16	10	157

## 45° Equal Trougher

Belt Width	5" Roll Dia					6" Roll Dia				
	Part Number	E	H	K	WT	Part Number	E	H	K	WT
24	D5-45TE-24SB	15 1/16	22 3/4	8 1/2	50	D6-45TE-24SB	15 3/8	22 1/8	9	58
30	D5-45TE-30SB	16 3/4	28 1/16	8 5/8	60	D6-45TE-30SB	17 1/8	27 3/8	9 1/8	69
36	D5-45TE-36SB	18 3/16	33 1/8	8 5/8	68	D6-45TE-36SB	18 9/16	32 5/16	9 1/8	78
42	D5-45TE-42SB	20 3/16	38 7/16	9	85	D6-45TE-42SB	20 1/2	37 11/16	9 1/2	96
48	D5-45TE-48SB	21 11/16	43 11/16	9	97	D6-45TE-48SB	22 1/16	43 1/16	9 1/2	109
54	D5-45TE-54SB	23 9/16	48 13/16	9 1/2	113	D6-45TE-54SB	23 15/16	48 1/16	10	126
60	D5-45TE-60SB	25	53 11/16	9 1/2	120	D6-45TE-60SB	25 5/16	53	10	135
72	D5-45TE-72SB	28	63 15/16	9 1/2	138	D6-45TE-72SB	28 5/16	63 1/4	10	159

# CEMA D Equal Impact Troughers

Belt Width	Standard Dimensions					Wide Base	
	A	B	C	D	G	Aw	Cw
24	33	6	35	8	7 7/16	39	41
30	39	6	41 1/2	9 1/2	9 5/8	45	47 1/2
36	45	6	47 1/2	9 1/2	11 3/4	51	53 1/2
42	51	7 1/2	53 1/2	9 1/2	13 15/16	57	59 1/2
48	57	7 1/2	59 1/2	9 1/2	16 1/8	63	65 1/2
54	63	9	65 1/2	10 15/16	18 1/4	69	71 1/2
60	69	9	71 1/2	10 15/16	20 1/4	75	77 1/2
72	81	9	83 1/2	10 15/16	24 1/4	81	83 1/2



## 20° Equal Impact Trougher

Belt Width	5" Roll Dia					6" Roll Dia				
	Part Number	E	H	K	WT	Part Number	E	H	K	WT
24	D5-20TEI-24SB	11 7/16	26 5/8	8 1/2	61	D6-20TEI-24SB	11 7/8	26 1/4	9	68
30	D5-20TEI-30SB	12 5/16	32 15/16	8 5/8	75	D6-20TEI-30SB	12 13/16	32 1/2	9 1/8	84
36	D5-20TEI-36SB	13 1/16	39	8 5/8	88	D6-20TEI-36SB	13 1/2	38 11/16	9 1/8	99
42	D5-20TEI-42SB	14 3/16	45 5/16	9	110	D6-20TEI-42SB	14 5/8	45	9 1/2	124
48	D5-20TEI-48SB	14 15/16	51 5/8	9	122	D6-20TEI-48SB	15 3/8	51 1/4	9 1/2	137
54	D5-20TEI-54SB	16	57 11/16	9 1/2	140	D6-20TEI-54SB	16 1/2	57 3/8	10	157
60	D5-20TEI-60SB	16 5/8	63 7/16	9 1/2	153	D6-20TEI-60SB	17 1/8	63 1/8	10	173
72	D5-20TEI-72SB	18 1/8	75 3/4	9 1/2	181	D6-20TEI-72SB	18 5/8	75 3/8	10	199

## 35° Equal Impact Trougher

Belt Width	5" Roll Dia					6" Roll Dia				
	Part Number	E	H	K	WT	Part Number	E	H	K	WT
24	D5-35TEI-24SB	13 3/8	24 3/16	8 1/2	62	D6-35TEI-24SB	13 13/16	23 5/8	9	69
30	D5-35TEI-30SB	14 3/4	29 15/16	8 5/8	77	D6-35TEI-30SB	15 1/8	29 3/8	9 1/8	86
36	D5-35TEI-36SB	15 15/16	35 9/16	8 5/8	90	D6-35TEI-36SB	16 3/8	35	9 1/8	101
42	D5-35TEI-42SB	17 5/8	41 3/8	9	113	D6-35TEI-42SB	18	40 3/4	9 1/2	127
48	D5-35TEI-48SB	18 7/8	47 1/8	9	125	D6-35TEI-48SB	19 1/4	46 1/2	9 1/2	140
54	D5-35TEI-54SB	20 7/16	52 3/4	9 1/2	147	D6-35TEI-54SB	20 7/8	52 1/8	10	164
60	D5-35TEI-60SB	21 5/8	58	9 1/2	160	D6-35TEI-60SB	22	57 3/8	10	179
72	D5-35TEI-72SB	24	69 3/16	9 1/2	190	D6-35TEI-72SB	24 7/16	68 5/8	10	208

## 45° Equal Impact Trougher

Belt Width	5" Roll Dia					6" Roll Dia				
	Part Number	E	H	K	WT	Part Number	E	H	K	WT
24	D5-45TEI-24SB	14 9/16	22 3/8	8 1/2	63	D6-45TEI-24SB	14 7/8	21 11/16	9	70
30	D5-45TEI-30SB	16 1/4	27 5/8	8 5/8	78	D6-45TEI-30SB	16 9/16	26 15/16	9 1/8	87
36	D5-45TEI-36SB	17 11/16	32 3/4	8 5/8	91	D6-45TEI-36SB	18 1/16	32 1/16	9 1/8	102
42	D5-45TEI-42SB	19 11/16	38 1/16	9	113	D6-45TEI-42SB	20	37 3/8	9 1/2	127
48	D5-45TEI-48SB	21 3/16	43 1/3	9	128	D6-45TEI-48SB	21 9/16	42 5/8	9 1/2	143
54	D5-45TEI-54SB	23 1/16	48 7/16	9 1/2	148	D6-45TEI-54SB	23 7/16	47 3/4	10	165
60	D5-45TEI-60SB	24 1/2	53 1/4	9 1/2	160	D6-45TEI-60SB	24 13/16	52 9/16	10	180
72	D5-45TEI-72SB	27 1/2	63 9/16	9 1/2	193	D6-45TEI-72SB	27 13/16	62 13/16	10	210

For Wide Base Option, add WB to end of the part number.

800.247.1228

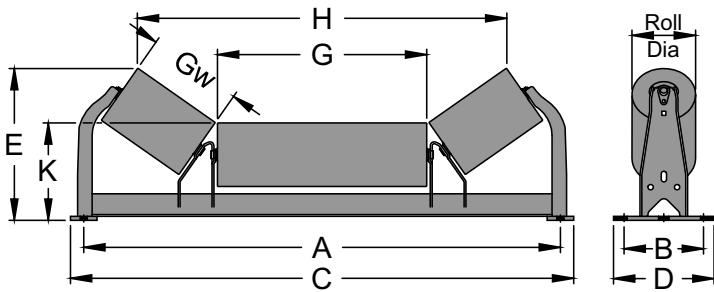


Subject to change without notice

For Mounting Details, see pages 56 & 57.

www.ppipella.com

# CEMA D Unequal Trougher & Flat Carrier



Belt Width	Standard Dimensions			
	A	B	C	D
24	33	6	35 1/2	9 1/2
30	39	6	41 1/2	9 1/2
36	45	6	47 1/2	9 1/2
42	51	7 1/2	53 1/2	9 1/2
48	57	7 1/2	59 1/2	9 1/2
54	63	9	65 1/2	10 15/16
60	69	9	71 1/2	10 15/16
72	81	9	83 1/2	10 15/16

## 20° Unequal Trougher

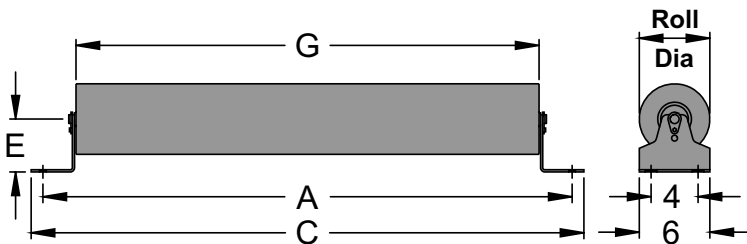
\*Self-Aligner available, contact PPI for more details

Belt Width	5" Roll Dia					6" Roll Dia					G	Gw
	Part Number	E	H	K	WT	Part Number	E	H	K	WT		
24	D5-20TU-24SB	10 5/8	26 15/16	8 5/8	49	D6-20TU-24SB	11 1/16	26 5/8	9 1/8	57	15 7/16	5 7/16
30	D5-20TU-30SB	10 5/8	32 7/8	8 5/8	56	D6-20TU-30SB	11 1/16	32 9/16	9 1/8	64	21 3/8	5 7/16
36	D5-20TU-36SB	10 5/8	38 7/8	8 5/8	62	D6-20TU-36SB	11 1/16	38 9/16	9 1/8	72	27 3/8	5 7/16
42	D5-20TU-42SB	11	44 7/8	9	78	D6-20TU-42SB	11 7/16	44 9/16	9 1/2	88	33 3/8	5 7/16
48	D5-20TU-48SB	11	50 7/8	9	85	D6-20TU-48SB	11 7/16	50 9/16	9 1/2	97	39 3/8	5 7/16
54	D5-20TU-54SB	11 3/8	56 7/8	9 1/2	98	D6-20TU-54SB	11 13/16	56 9/16	10	111	45 3/8	5 7/16
60	D5-20TU-60SB	11 3/8	62 7/8	9 1/2	106	D6-20TU-60SB	11 13/16	62 9/16	10	120	51 3/8	5 7/16
72	D5-20TU-72SB	11 3/8	74 7/8	9 1/2	122	D6-20TU-72SB	11 13/16	74 9/16	10	139	63 3/8	5 7/16

## 35° Unequal Trougher

\*Self-Aligner available, contact PPI for more details

Belt Width	5" Roll Dia					6" Roll Dia					G	Gw
	Part Number	E	H	K	WT	Part Number	E	H	K	WT		
24	D5-35TU-24SB	12 3/4	25 5/16	8 5/8	50	D6-35TU-24SB	12 3/16	24 3/4	9 1/8	59	13 1/4	6 3/4
30	D5-35TU-30SB	13 15/16	31 1/16	8 5/8	57	D6-35TU-30SB	14 5/16	30 9/16	9 1/8	67	15 7/16	8 15/16
36	D5-35TU-36SB	13 15/16	35 3/8	8 5/8	62	D6-35TU-36SB	14 5/16	34 7/8	9 1/8	73	19 3/4	8 15/16
42	D5-35TU-42SB	15 9/16	40 5/8	9	77	D6-35TU-42SB	15 15/16	40 1/16	9 1/2	90	21 3/8	11 1/8
48	D5-35TU-48SB	15 9/16	46 5/8	9	85	D6-35TU-48SB	15 15/16	46 1/16	9 1/2	99	27 3/8	11 1/8
54	D5-35TU-54SB	15 15/16	52 5/8	9 1/2	98	D6-35TU-54SB	16 5/16	52 1/16	10	112	33 3/8	11 1/8
60	D5-35TU-60SB	15 15/16	58 5/8	9 1/2	105	D6-35TU-60SB	16 5/16	58 1/16	10	121	39 3/8	11 1/8
72	D5-35TU-72SB	15 15/16	70 5/8	9 1/2	122	D6-35TU-72SB	16 5/16	70 1/16	10	140	51 3/8	11 1/8



Operation & Maintenance manuals can be downloaded from our website at <http://www.ppipella.com>

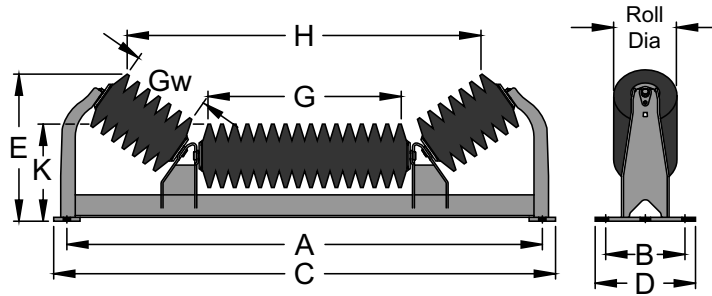
For Mounting Details, see pages 56 & 57.

## Flat Carrier

Belt Width	5" Roll Dia				6" Roll Dia				Standard Dimensions		
	E=4 1/2"		E=1 1/2"		E=4 1/2"		E=1 1/2"		A	C	G
	Part Number	WT	Part Number	WT	Part Number	WT	Part Number	WT			
24	D5-F-24SB	31	D5-F-24SB-1	30	D6-F-24SB	37	D6-F-24SB-1	36	33	35	27 3/8
30	D5-F-30SB	36	D5-F-30SB-1	35	D6-F-30SB	43	D6-F-30SB-1	42	39	41	33 3/8
36	D5-F-36SB	41	D5-F-36SB-1	40	D6-F-36SB	49	D6-F-36SB-1	48	45	47	39 3/8
42	D5-F-42SB	46	D5-F-42SB-1	45	D6-F-42SB	55	D6-F-42SB-1	54	51	53	45 3/8
48	D5-F-48SB	50	D5-F-48SB-1	49	D6-F-48SB	61	D6-F-48SB-1	60	57	59	51 3/8
54	D5-F-54SB	55	D5-F-54SB-1	54	D6-F-54SB	67	D6-F-54SB-1	66	63	65	57 3/8
60	D5-F-60SB	60	D5-F-60SB-1	59	D6-F-60SB	72	D6-F-60SB-1	71	69	71	63 3/8
72	D5-F-72SB	69	D5-F-72SB-1	68	D6-F-72SB	84	D6-F-72SB-1	83	81	83	75 3/8

# CEMA D Unequal Impact Trougher & Flat Carrier

Belt Width	Standard Dimensions			
	A	B	C	D
24	33	6	35 1/2	9 1/2
30	39	6	41 1/2	9 1/2
36	45	6	47 1/2	9 1/2
42	51	7 1/2	53 1/2	9 1/2
48	57	7 1/2	59 1/2	9 1/2
54	63	9	65 1/2	10 15/16
60	69	9	71 1/2	10 15/16
72	81	9	83 1/2	10 15/16



## 20° Unequal Impact Trougher

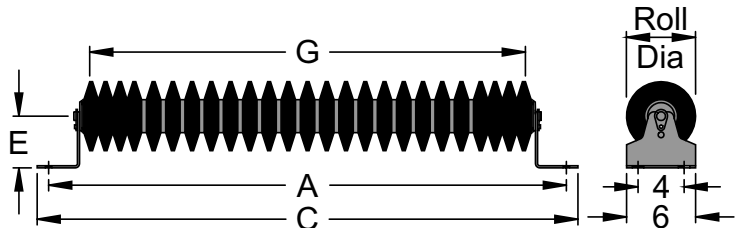
Belt Width	5" Roll Dia					6" Roll Dia					G	Gw
	Part Number	E	H	K	WT	Part Number	E	H	K	WT		
24	D5-20TUI-24SB	10 3/8	26 1/2	8 5/8	64	D6-20TUI-24SB	10 13/16	26 3/16	9 1/8	71	13 15/16	3 15/16
30	D5-20TUI-30SB	10 3/8	32 7/16	8 5/8	73	D6-20TUI-30SB	10 13/16	32 1/8	9 1/8	84	19 7/8	3 15/16
36	D5-20TUI-36SB	10 3/8	38 7/16	8 5/8	84	D6-20TUI-36SB	10 13/16	37 1/8	9 1/8	94	25 7/8	3 15/16
42	D5-20TUI-42SB	10 3/4	44 7/16	9	103	D6-20TUI-42SB	11 3/16	43 1/8	9 1/2	114	31 7/8	3 15/16
48	D5-20TUI-48SB	10 3/4	50 7/16	9	112	D6-20TUI-48SB	11 3/16	49 1/8	9 1/2	124	37 7/8	3 15/16
54	D5-20TUI-54SB	11 1/8	56 7/16	9 1/2	130	D6-20TUI-54SB	11 9/16	55 1/8	10	144	43 7/8	3 15/16
60	D5-20TUI-60SB	11 1/8	62 7/16	9 1/2	141	D6-20TUI-60SB	11 9/16	61 1/8	10	157	49 7/8	3 15/16
72	D5-20TUI-72SB	11 1/8	74 7/16	9 1/2	165	D6-20TUI-72SB	11 9/16	73 1/8	10	186	61 7/8	3 15/16

## 35° Unequal Impact Trougher

Belt Width	5" Roll Dia					6" Roll Dia					G	Gw
	Part Number	E	H	K	WT	Part Number	E	H	K	WT		
24	D5-35TUI-24SB	12 5/16	24 7/8	8 5/8	66	D6-35TUI-24SB	11 3/4	24 3/8	9 1/8	73	11 3/4	5 1/4
30	D5-35TUI-30SB	13 1/2	30 11/16	8 5/8	77	D6-35TUI-30SB	13 7/8	30 1/8	9 1/8	86	13 15/16	7 7/16
36	D5-35TUI-36SB	13 1/2	35	8 5/8	85	D6-35TUI-36SB	13 7/8	34 1/2	9 1/8	95	18 1/4	7 7/16
42	D5-35TUI-42SB	15 1/8	40 1/4	9	104	D6-35TUI-42SB	15 1/2	39 11/16	9 1/2	118	19 7/8	9 5/8
48	D5-35TUI-48SB	15 1/8	46 1/4	9	115	D6-35TUI-48SB	15 1/2	45 11/16	9 1/2	128	25 7/8	9 5/8
54	D5-35TUI-54SB	15 1/2	52 1/4	9 1/2	131	D6-35TUI-54SB	15 7/8	51 11/16	10	146	31 7/8	9 5/8
60	D5-35TUI-60SB	15 1/2	58 1/4	9 1/2	142	D6-35TUI-60SB	15 7/8	57 11/16	10	158	37 7/8	9 5/8
72	D5-35TUI-72SB	15 1/2	70 1/4	9 1/2	167	D6-35TUI-72SB	15 7/8	69 11/16	10	186	49 7/8	9 5/8

For Idler Replacement Parts & Special Mounting Brackets, download our Idler Replacement Parts Catalog at <http://www.ppipella.com>

For Mounting Details, see pages 56 & 57.



## Flat Rubber Disc Carrier

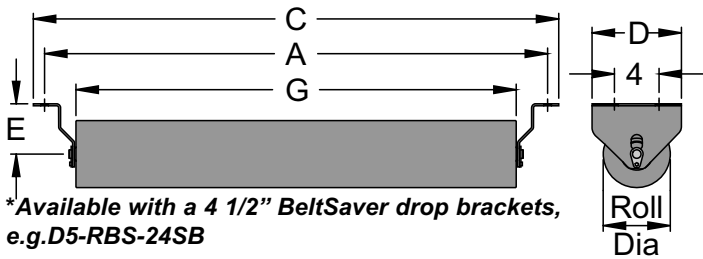
Belt Width	5" Roll Dia				6" Roll Dia				Standard Dimensions		
	E=4 1/2"		E=1 1/2"		E=4 1/2"		E=1 1/2"				
	Part Number	WT	Part Number	WT	Part Number	WT	Part Number	WT	A	C	G
24	D5-FRD-24SB	39	D5-FRD-24SB-1	38	D6-FRD-24SB	46	D6-FRD-24SB-1	45	33	35	25 7/8
30	D5-FRD-30SB	46	D5-FRD-30SB-1	45	D6-FRD-30SB	55	D6-FRD-30SB-1	54	39	41	31 7/8
36	D5-FRD-36SB	53	D5-FRD-36SB-1	52	D6-FRD-36SB	62	D6-FRD-36SB-1	61	45	47	37 7/8
42	D5-FRD-42SB	60	D5-FRD-42SB-1	59	D6-FRD-42SB	72	D6-FRD-42SB-1	71	51	53	43 7/8
48	D5-FRD-48SB	68	D5-FRD-48SB-1	67	D6-FRD-48SB	80	D6-FRD-48SB-1	79	57	59	49 7/8
54	D5-FRD-54SB	74	D5-FRD-54SB-1	73	D6-FRD-54SB	90	D6-FRD-54SB-1	89	63	65	55 7/8
60	D5-FRD-60SB	80	D5-FRD-60SB-1	79	D6-FRD-60SB	99	D6-FRD-60SB-1	98	69	71	61 7/8
72	D5-FRD-72SB	96	D5-FRD-72SB-1	95	D6-FRD-72SB	117	D6-FRD-72SB-1	116	81	83	73 7/8

800.247.1228

[www.ppipella.com](http://www.ppipella.com)



# CEMA D Return & V-Return

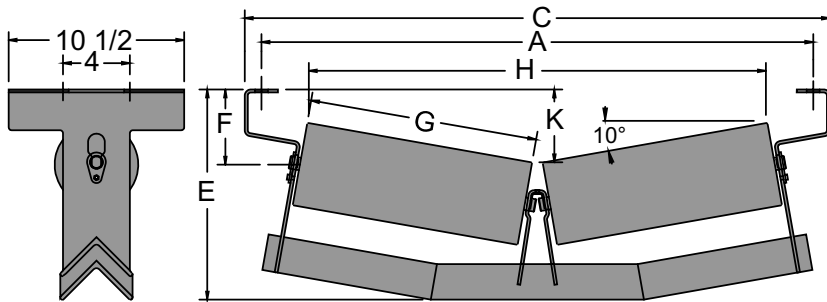


For Mounting Details, see pages 56 & 57.

Belt Width	Standard Dimensions		
	A	C	G
24	33	35	27 3/8
30	39	41	33 3/8
36	45	57	39 3/8
42	51	53	45 3/8
48	57	59	51 3/8
54	63	65	57 3/8
60	69	71	63 3/8
72	81	83	75 3/8

## Return

Belt Width	5" Roll Dia					6" Roll Dia				
	Std E=4 1/2"		Opt E=1 1/2"		WT	Std E=4 1/2"		Opt E=1 1/2"		WT
	Part Number	D	Part Number	D		Part Number	D	Part Number	D	
24	D5-R-24SB	8	D5-R-24SB-1	6	28	D6-R-24SB	8	D6-R-24SB-1	6	34
30	D5-R-30SB	8	D5-R-30SB-1	6	33	D6-R-30SB	8	D6-R-30SB-1	6	40
36	D5-R-36SB	8	D5-R-36SB-1	6	38	D6-R-36SB	8	D6-R-36SB-1	6	46
42	D5-R-42SB	8	D5-R-42SB-1	6	43	D6-R-42SB	8	D6-R-42SB-1	6	52
48	D5-R-48SB	8	D5-R-48SB-1	6	48	D6-R-48SB	8	D6-R-48SB-1	6	58
54	D5-R-54SB	8	D5-R-54SB-1	6	52	D6-R-54SB	8	D6-R-54SB-1	6	64
60	D5-R-60SB	8	D5-R-60SB-1	6	57	D6-R-60SB	8	D6-R-60SB-1	6	70
72	D5-R-72SB	9	D5-R-72SB-1	6	67	D6-R-72SB	9	D6-R-72SB-1	6	82



Belt Width	Standard Dimensions		
	A	C	G
24	33	35	13 5/8
30	39	41	16 11/16
36	45	47	19 3/4
42	51	53	22 13/16
48	57	59	25 7/8
54	63	65	28 7/8
60	69	71	31 15/16
72	81	83	38

## V-Return Idler (F = 4 1/2")

Belt Width	5" Roll Dia					6" Roll Dia				
	Part Number	E	H	K	WT	Part Number	E	H	K	WT
24	D5-10VR-24SB-4	12 7/8	27 1/2	4 1/4	49	D6-10VR-24SB-4	12 7/8	27 3/8	3 3/4	55
30	D5-10VR-30SB-4	13 3/8	33 1/2	5	56	D6-10VR-30SB-4	13 3/8	33 3/8	4 1/2	63
36	D5-10VR-36SB-4	13 7/8	39 1/2	5 3/8	64	D6-10VR-36SB-4	13 15/16	39 3/8	4 7/8	76
42	D5-10VR-42SB-4	14 7/16	45 5/8	6	68	D6-10VR-42SB-4	14 7/16	45 7/16	5 1/2	78
48	D5-10VR-48SB-4	14 15/16	51 1/2	6 1/2	75	D6-10VR-48SB-4	14 15/16	51 3/8	6	84
54	D5-10VR-54SB-4	15 1/2	57 1/2	6 3/4	91	D6-10VR-54SB-4	15 1/2	57 3/8	6 1/4	100
60	D5-10VR-60SB-4	16	63 1/2	7 5/8	99	D6-10VR-60SB-4	16	63 3/8	7 1/8	108
72	D5-10VR-72SB-4	17 1/16	75 1/2	8 3/4	117	D6-10VR-72SB-4	17 1/16	75 3/8	8 1/4	128

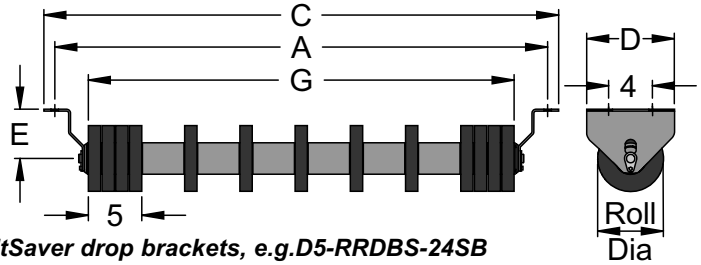
## V-Return Idler (F = 7")

Belt Width	5" Roll Dia					6" Roll Dia				
	Part Number	E	H	K	WT	Part Number	E	H	K	WT
24	D5-10VR-24SB-7	15 3/8	27 1/2	6 3/4	49	D6-10VR-24SB-7	15 3/8	27 3/8	6 1/4	56
30	D5-10VR-30SB-7	15 7/8	33 1/2	7 1/2	56	D6-10VR-30SB-7	15 7/8	33 3/8	7	64
36	D5-10VR-36SB-7	16 7/16	39 1/2	7 7/8	64	D6-10VR-36SB-7	16 7/16	39 3/8	7 3/8	75
42	D5-10VR-42SB-7	16 15/16	45 5/8	8 1/2	68	D6-10VR-42SB-7	16 15/16	45 7/16	8	81
48	D5-10VR-48SB-7	17 7/16	51 1/2	9	75	D6-10VR-48SB-7	17 1/2	51 3/8	8 1/2	87
54	D5-10VR-54SB-7	18 1/16	57 1/2	9 1/4	92	D6-10VR-54SB-7	18 1/16	57 3/8	8 3/4	101
60	D5-10VR-60SB-7	18 9/16	63 1/2	10 1/8	100	D6-10VR-60SB-7	18 9/16	63 3/8	9 5/8	109
72	D5-10VR-72SB-7	19 5/8	75 1/2	11 1/4	118	D6-10VR-72SB-7	19 5/8	75 3/8	10 3/4	129

# CEMA D RRD & VRI Returns

Belt Width	Standard Dimensions		
	A	C	G
24	33	35	26 7/8
30	39	41	32 7/8
36	45	57	38 7/8
42	51	53	44 7/8
48	57	59	50 7/8
54	63	65	56 7/8
60	69	71	62 7/8
60	81	83	74 7/8

**For Mounting Details, see pages 56 & 57.**

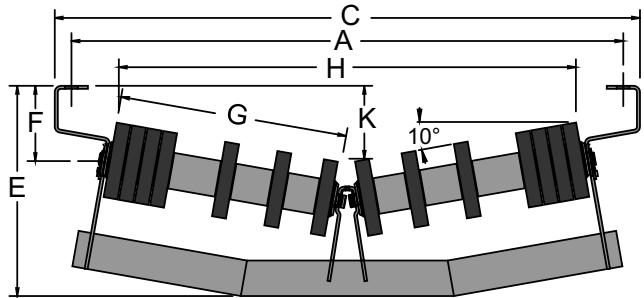
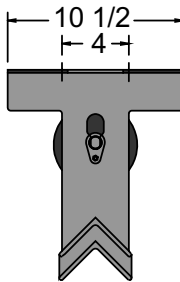


*\*Available with a 4 1/2" BeltSaver drop brackets, e.g. D5-RRDBS-24SB*

## Return Rubber Disc

Belt Width	5" Roll Dia					6" Roll Dia				
	Std E=4 1/2"		Opt E=1 1/2"		WT	Std E=4 1/2"		Opt E=1 1/2"		WT
	Part Number	D	Part Number	D		Part Number	D	Part Number	D	
24	D5-RRD-24SB	8	D5-RRD-24SB-1	6	31	D6-RRD-24SB	8	D6-RRD-24SB-1	6	36
30	D5-RRD-30SB	8	D5-RRD-30SB-1	6	36	D6-RRD-30SB	8	D6-RRD-30SB-1	6	41
36	D5-RRD-36SB	8	D5-RRD-36SB-1	6	40	D6-RRD-36SB	8	D6-RRD-36SB-1	6	46
42	D5-RRD-42SB	8	D5-RRD-42SB-1	6	45	D6-RRD-42SB	8	D6-RRD-42SB-1	6	51
48	D5-RRD-48SB	8	D5-RRD-48SB-1	6	49	D6-RRD-48SB	8	D6-RRD-48SB-1	6	56
54	D5-RRD-54SB	8	D5-RRD-54SB-1	6	54	D6-RRD-54SB	8	D6-RRD-54SB-1	6	61
60	D5-RRD-60SB	8	D5-RRD-60SB-1	6	58	D6-RRD-60SB	8	D6-RRD-60SB-1	6	66
72	D5-RRD-72SB	8	D5-RRD-72SB-1	6	67	D6-RRD-72SB	8	D6-RRD-72SB-1	6	75

Belt Width	Standard Dimensions		
	A	C	G
24	33	35	13 1/8
30	39	41	16 3/16
36	45	47	19 1/4
42	51	53	22 5/16
48	57	59	25 3/8
54	63	65	28 3/8
60	69	71	31 7/16
72	81	83	37 1/2



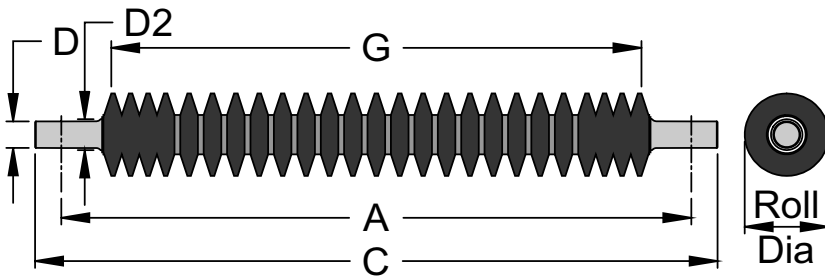
## V-Return Rubber Disc (Std F = 4 1/2")

Belt Width	5" Roll Dia					6" Roll Dia				
	Part Number	E	H	K	WT	Part Number	E	H	K	WT
24	D5-10VRI-24SB-4	12 7/8	27 1/16	4 1/4	52	D6-10VRI-24SB-4	12 7/8	26 7/8	3 3/4	57
30	D5-10VRI-30SB-4	13 3/8	33 1/16	5	60	D6-10VRI-30SB-4	13 3/8	32 7/8	4 1/2	66
36	D5-10VRI-36SB-4	13 15/16	39 1/16	5 3/8	66	D6-10VRI-36SB-4	13 15/16	38 7/8	4 7/8	75
42	D5-10VRI-42SB-4	14 7/16	45 1/16	6	71	D6-10VRI-42SB-4	14 7/16	44 15/16	5 1/2	78
48	D5-10VRI-48SB-4	14 15/16	51 1/16	6 1/2	78	D6-10VRI-48SB-4	14 15/16	50 7/8	6	84
54	D5-10VRI-54SB-4	15 1/2	57 1/16	6 3/4	95	D6-10VRI-54SB-4	15 1/2	56 7/8	6 1/4	102
60	D5-10VRI-60SB-4	16	63 1/16	7 5/8	104	D6-10VRI-60SB-4	16	62 7/8	7 1/8	111
72	D5-10VRI-72SB-4	17 1/16	75 1/16	8 3/4	122	D6-10VRI-72SB-4	17 1/16	74 7/8	8 1/4	130

## V-Return Rubber Disc (F = 7")

Belt Width	5" Roll Dia					6" Roll Dia				
	Part Number	E	H	K	WT	Part Number	E	H	K	WT
24	D5-10VRI-24SB-7	27 1/16	27 1/16	6 3/4	52	D6-10VRI-24SB-7	15 3/8	26 7/8	6 1/4	58
30	D5-10VRI-30SB-7	33 1/16	33 1/16	7 1/2	60	D6-10VRI-30SB-7	15 7/8	32 7/8	7	67
36	D5-10VRI-36SB-7	39 1/16	39 1/16	7 7/8	66	D6-10VRI-36SB-7	16 7/16	38 7/8	7 3/8	73
42	D5-10VRI-42SB-7	45 1/16	45 1/16	8 1/2	72	D6-10VRI-42SB-7	16 15/16	44 15/16	8	78
48	D5-10VRI-48SB-7	51 1/16	51 1/16	9	78	D6-10VRI-48SB-7	17 7/16	50 7/8	8 1/2	92
54	D5-10VRI-54SB-7	57 1/16	57 1/16	9 1/4	96	D6-10VRI-54SB-7	18 1/16	56 7/8	8 3/4	103
60	D5-10VRI-60SB-7	63 1/16	63 1/16	10 1/8	105	D6-10VRI-60SB-7	18 9/16	62 7/8	9 5/8	112
72	D5-10VRI-72SB-7	75 1/16	75 1/16	11 1/4	123	D6-10VRI-72SB-7	19 5/8	62 7/8	10 3/4	131

# CEMA D LSI & Inverted V-Return

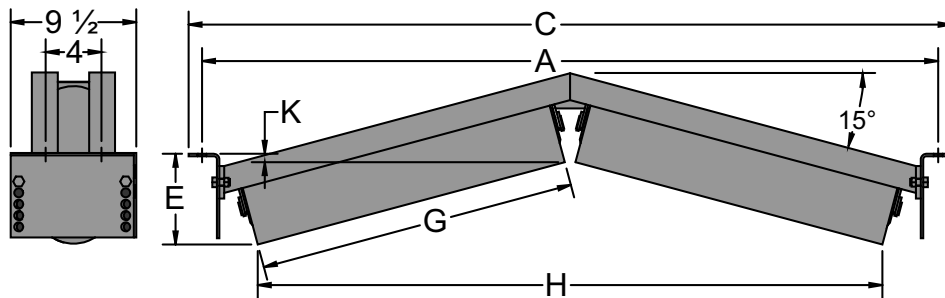


Live Shaft Idlers are available in several different configurations, such as with different bearing journal diameters or as a steel can.

Please contact Precision Pulley & Idler with your requirements.

## Live Shaft Impact Flat Carrier

Belt Width	5" Roll Dia		6" Roll Dia		Standard Dimensions				
	Part Number	WT	Part Number	WT	A	C	D	D2	G
18	D5-35LSI-18	62	D6-35LSI-18	68	27	31 1/4	2 3/16	2 7/8	19 7/8
24	D5-35LSI-24	77	D6-35LSI-24	84	33	37 1/4	2 3/16	2 7/8	25 7/8
30	D5-35LSI-30	92	D6-35LSI-30	100	39	43 1/4	2 3/16	2 7/8	31 7/8
36	D5-35LSI-36	106	D6-35LSI-36	116	45	49 1/4	2 3/16	2 7/8	37 7/8
42	D5-35LSI-42	121	D6-35LSI-42	132	51	55 1/4	2 3/16	2 7/8	43 7/8
48	D5-35LSI-48	135	D6-35LSI-48	148	57	61 1/4	2 3/16	2 7/8	49 7/8
54	D5-35LSI-54	150	D6-35LSI-54	165	63	67 1/4	2 3/16	2 7/8	55 7/8
60	D5-35LSI-60	164	D6-35LSI-60	181	69	73 1/4	2 3/16	2 7/8	61 7/8
72	D5-35LSI-72	193	D6-35LSI-72	213	81	85 1/4	2 3/16	2 7/8	73 7/8



Belt Width	Standard Dimensions		
	A	C	G
24	33	35	11 1/8
30	39	41	15 7/16
36	45	47	17 5/8
42	51	53	21 3/4
48	57	59	24 1/2
54	63	65	27 3/8
60	69	71	30 1/2
72	81	83	36 1/2

For Mounting Details, see pages 56 & 57.

## Inverted V-Return

Belt Width	5" Roll Dia					6" Roll Dia				
	Part Number	E	H	K	WT	Part Number	E	H	K	WT
24	D5-15IVR-24SB-4	6 3/16	22 5/16	1 15/16	60	D6-15IVR-24SB-4	6 5/8	22 7/16	2 7/16	66
30	D5-15IVR-30SB-4	6 1/2	30 5/8	1 3/16	72	D6-15IVR-30SB-4	7	30 3/4	1 11/16	79
36	D5-15IVR-36SB-4	6 5/16	34 13/16	3/8	80	D6-15IVR-36SB-4	6 3/4	35	7/8	88
42	D5-15IVR-42SB-4	6 9/16	42 13/16	- 3/8	91	D6-15IVR-42SB-4	7 1/16	42 15/16	1/8	101
48	D5-15IVR-48SB-4	6 1/2	48 1/8	-1 3/16	100	D6-15IVR-48SB-4	7	48 1/4	- 11/16	110
54	D5-15IVR-54SB-4	6 9/16	53 11/16	-1 15/16	109	D6-15IVR-54SB-4	7 1/16	53 7/8	-1 1/2	119
60	D5-15IVR-60SB-4	6 1/2	59 11/16	-2 3/4	118	D6-15IVR-60SB-4	7	59 7/8	-2 1/4	125
72	D5-15IVR-72SB-4	6 1/2	71 5/16	-4 5/16	137	D6-15IVR-72SB-4	7	71 7/16	-3 13/16	145

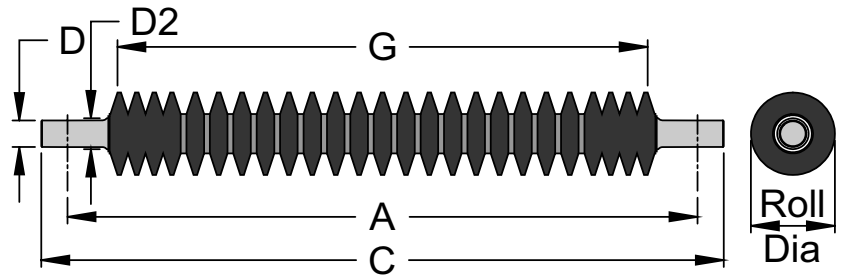
Dimensions are for the top position. There are 4 additional positions possible.



# CEMA D LSI & Inverted V-Return Rubber Disc

Live Shaft Idlers are available in several different configurations, such as with different bearing journal diameters or as a steel can.

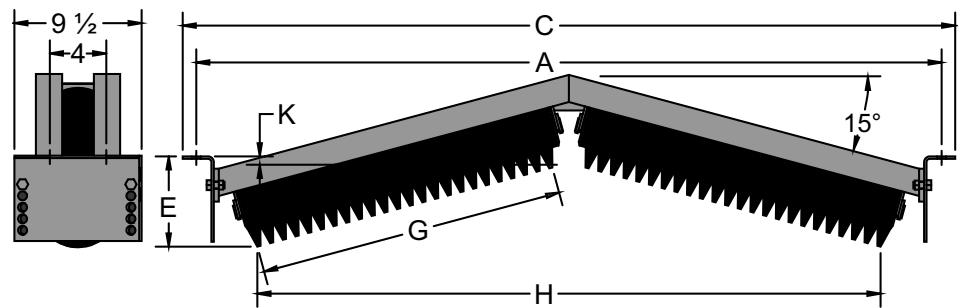
Please contact Precision Pulley & Idler with your requirements.



## Live Shaft Impact Flat Carrier

Belt Width	5" Roll Dia		6" Roll Dia		Standard Dimensions				
	Part Number	WT	Part Number	WT	A	C	D	D2	G
18	D5-39LSI-18	65	D6-39LSI-18	70	27	31 1/4	2 7/16	2 7/8	19 7/8
24	D5-39LSI-24	79	D6-39LSI-24	86	33	37 1/4	2 7/16	2 7/8	25 7/8
30	D5-39LSI-30	94	D6-39LSI-30	103	39	43 1/4	2 7/16	2 7/8	31 7/8
36	D5-39LSI-36	109	D6-39LSI-36	116	45	49 1/4	2 7/16	2 7/8	37 7/8
42	D5-39LSI-42	123	D6-39LSI-42	135	51	55 1/4	2 7/16	2 7/8	43 7/8
48	D5-39LSI-48	138	D6-39LSI-48	151	57	61 1/4	2 7/16	2 7/8	49 7/8
54	D5-39LSI-54	152	D6-39LSI-54	167	63	67 1/4	2 7/16	2 7/8	55 7/8
60	D5-39LSI-60	167	D6-39LSI-60	184	69	73 1/4	2 7/16	2 7/8	61 7/8
72	D5-39LSI-72	196	D6-39LSI-72	215	81	85 1/4	2 7/16	2 7/8	73 7/8

Belt Width	Standard Dimensions		
	A	C	G
24	33	35	9 5/8
30	39	41	13 15/16
36	45	47	16 1/8
42	51	53	20 1/4
48	57	59	23
54	63	65	25 7/8
60	69	71	29
72	69	71	35



For Mounting Details, see pages 56 & 57.

## Inverted V-Return Rubber Disc

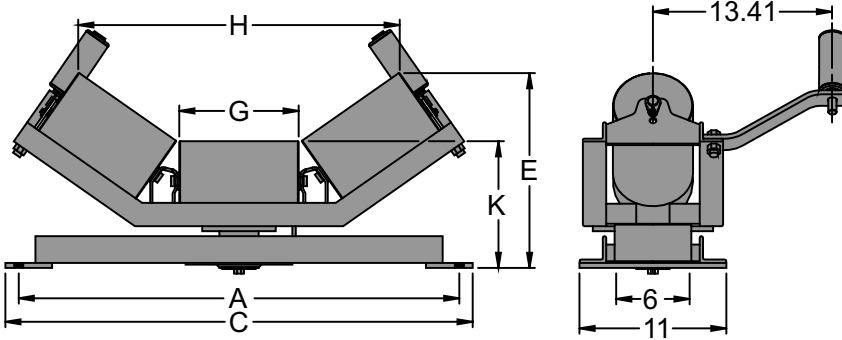
Belt Width	5" Roll Dia					6" Roll Dia				
	Part Number	E	H	K	WT	Part Number	E	H	K	WT
24	D515IVRI24SB-4	6 3/16	21 5/16	1 15/16	70	D615IVRI24SB-4	6 5/8	21 7/16	2 7/16	75
30	D515IVRI30SB-4	6 1/2	29 5/8	1 3/16	85	D615IVRI30SB-4	7	29 3/4	1 11/16	92
36	D515IVRI36SB-4	6 5/16	33 13/16	3/8	95	D615IVRI36SB-4	6 3/4	34	7/8	103
42	D515IVRI42SB-4	6 9/16	41 13/16	- 3/8	111	D615IVRI42SB-4	7 1/16	41 15/16	1/8	121
48	D515IVRI48SB-4	6 1/2	47 1/8	-1 3/16	117	D615IVRI48SB-4	7	47 1/4	- 11/16	128
54	D515IVRI54SB-4	6 9/16	52 11/16	-1 15/16	128	D615IVRI54SB-4	7 1/16	52 7/8	-1 1/2	140
60	D515IVRI60SB-4	6 1/2	58 11/16	-2 3/4	140	D615IVRI60SB-4	7	58 7/8	-2 1/4	153
72	D515IVRI72SB-4	6 1/2	70 5/16	-4 5/16	163	D615IVRI72SB-4	7	70 7/16	-3 13/16	178

Dimensions are for the top position. There are 4 additional positions possible.

Subject to change without notice

# CEMA D Self-Aligner - Trougher

For Reversing Belts, see our Reversing SA Flyer.



Belt Width	Std. Dim.			Wide Base	
	A	C	G	Aw	Cw
24	33	35	8 15/16	39	41
30	39	41	11 1/8	45	47
36	45	47	13 1/4	51	53
42	51	53	15 7/16	57	59
48	57	59	17 5/8	63	65
54	63	65	19 3/4	69	71
60	69	71	21 3/4	75	77
72	81	83	26	87	89

## 20° Self-Aligner Equal Trougher

Belt Width	5" Roll Dia					6" Roll Dia				
	Part Number	E	H	K	WT	Part Number	E	H	K	WT
24	D5-20TESA-24SB	12 3/16	27 1/16	9	112	D6-20TESA-24SB	12 5/8	26 11/16	9 1/2	120
30	D5-20TESA-30SB	12 15/16	33 3/8	9	123	D6-20TESA-30SB	13 3/8	32 15/16	9 1/2	133
36	D5-20TESA-36SB	13 11/16	39 7/16	9	135	D6-20TESA-36SB	14 1/8	39 1/8	9 1/2	146
42	D5-20TESA-42SB	14 15/16	45 3/4	9 1/2	164	D6-20TESA-42SB	15 3/8	45 7/16	10	177
48	D5-20TESA-48SB	15 11/16	52 1/16	9 1/2	178	D6-20TESA-48SB	16 1/8	51 3/4	10	192
54	D5-20TESA-54SB	16 3/8	58 3/16	10	221	D6-20TESA-54SB	16 7/8	57 13/16	10 1/2	236
60	D5-20TESA-60SB	17 1/16	63 7/8	10	236	D6-20TESA-60SB	17 1/2	63 9/16	10 1/2	253
72	D5-20TESA-72SB	18 3/8	76 3/16	10	265	D6-20TESA-72SB	18 7/8	75 13/16	10 1/2	284

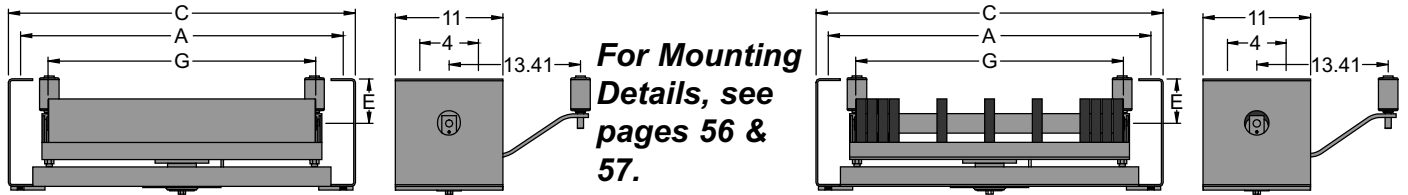
## 35° Self-Aligner Equal Trougher

Belt Width	5" Roll Dia					6" Roll Dia				
	Part Number	E	H	K	WT	Part Number	E	H	K	WT
24	D5-35TESA-24SB	14 5/16	24 9/16	9	115	D6-35TESA-24SB	14 3/4	24 1/16	9 1/2	124
30	D5-35TESA-30SB	15 9/16	30 3/8	9	127	D6-35TESA-30SB	16 1/16	29 13/16	9 1/2	137
36	D5-35TESA-36SB	16 3/4	35 15/16	9	139	D6-35TESA-36SB	17 3/16	35 7/16	9 1/2	150
42	D5-35TESA-42SB	18 9/16	41 3/4	9 1/2	168	D6-35TESA-42SB	18 15/16	41 3/16	10	181
48	D5-35TESA-48SB	19 13/16	47 1/2	9 1/2	182	D6-35TESA-48SB	20 3/16	46 15/16	10	196
54	D5-35TESA-54SB	21	53 1/8	10	225	D6-35TESA-54SB	21 7/16	52 9/16	10 1/2	241
60	D5-35TESA-60SB	22 3/16	58 3/8	10	241	D6-35TESA-60SB	22 9/16	57 7/8	10 1/2	258
72	D5-35TESA-72SB	24 7/16	69 9/16	10	273	D6-35TESA-72SB	24 7/8	69 1/16	10 1/2	293

## 45° Self-Aligner Equal Trougher

Belt Width	5" Roll Dia					6" Roll Dia				
	Part Number	E	H	K	WT	Part Number	E	H	K	WT
24	D5-45TESA-24SB	15 3/8	22 3/4	9	116	D6-45TESA-24SB	15 7/8	22 1/8	9 1/2	124
30	D5-45TESA-30SB	16 15/16	28 1/16	9	128	D6-45TESA-30SB	17 1/2	27 3/8	9 1/2	137
36	D5-45TESA-36SB	18 7/16	33 1/8	9	139	D6-45TESA-36SB	18 15/16	32 5/16	9 1/2	150
42	D5-45TESA-42SB	20 7/16	38 7/16	9 1/2	169	D6-45TESA-42SB	21	37 11/16	10	182
48	D5-45TESA-48SB	22	43 11/16	9 1/2	183	D6-45TESA-48SB	22 9/16	43 1/16	10	197
54	D5-45TESA-54SB	23 11/16	48 13/16	10	227	D6-45TESA-54SB	24 1/16	48 1/16	10 1/2	242
60	D5-45TESA-60SB	25 1/8	53 11/16	10	242	D6-45TESA-60SB	25 7/16	53	10 1/2	259
72	D5-45TESA-72SB	28	63 15/16	10	275	D6-45TESA-72SB	28 5/16	63 1/4	10 1/2	294

# CEMA D Self-Aligner - Return & Flat

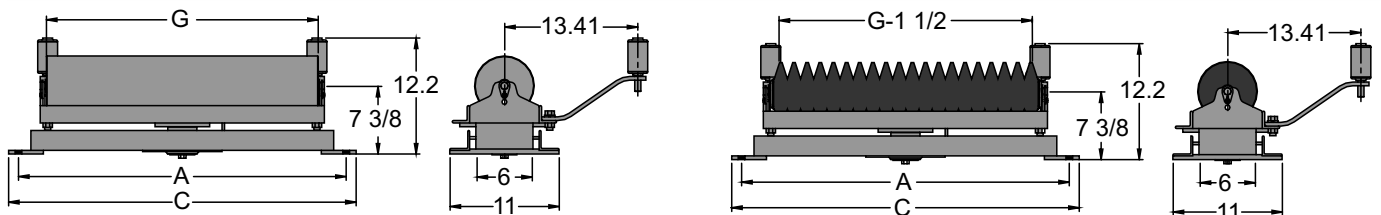


## Return Self-Aligner

Belt Width	5" Roll Dia				6" Roll Dia				Standard Dimensions				Wide Base	
	E=4½"	WT	E=1½"	WT	E=4½"	WT	E=1½"	WT	A	C	E	G	Aw	Cw
24	D5-RSA-24SB	114	D5-RSA-24SB-1	111	D6-RSA-24SB	121	D6-RSA-24SB-1	117	33	35	4 1/2	27 3/8	39	41
30	D5-RSA-30SB	125	D5-RSA-30SB-1	122	D6-RSA-30SB	133	D6-RSA-30SB-1	130	39	41	4 1/2	33 3/8	45	47
36	D5-RSA-36SB	136	D5-RSA-36SB-1	133	D6-RSA-36SB	146	D6-RSA-36SB-1	142	45	47	4 1/2	39 3/8	51	53
42	D5-RSA-42SB	163	D5-RSA-42SB-1	160	D6-RSA-42SB	174	D6-RSA-42SB-1	170	51	53	4 1/2	45 3/8	57	59
48	D5-RSA-48SB	176	D5-RSA-48SB-1	173	D6-RSA-48SB	188	D6-RSA-48SB-1	185	57	59	4 1/2	51 3/8	63	65
54	D5-RSA-54SB	189	D5-RSA-54SB-1	186	D6-RSA-54SB	203	D6-RSA-54SB-1	199	63	65	4 1/2	57 3/8	69	71
60	D5-RSA-60SB	202	D5-RSA-60SB-1	199	D6-RSA-60SB	217	D6-RSA-60SB-1	214	69	71	4 1/2	63 3/8	75	77
72	D5-RSA-72SB	247	D5-RSA-72SB-1	244	D6-RSA-72SB	264	D6-RSA-72SB-1	261	81	83	4 1/2	75 3/8	87	89

## Return Rubber Disc Self-Aligner

Belt Width	5" Roll Dia				6" Roll Dia				Standard Dimensions				Wide Base	
	E=4½"	WT	E=1½"	WT	E=4½"	WT	E=1½"	WT	A	C	E	G	Aw	Cw
24	D5-RRDSA-24SB	121	D5-RRDSA-24SB-1	118	D6-RRDSA-24SB	126	D6-RRDSA-24SB-1	122	33	35	4 1/2	26 7/8	39	41
30	D5-RRDSA-30SB	133	D5-RRDSA-30SB-1	130	D6-RRDSA-30SB	138	D6-RRDSA-30SB-1	135	39	41	4 1/2	32 7/8	45	47
36	D5-RRDSA-36SB	146	D5-RRDSA-36SB-1	142	D6-RRDSA-36SB	151	D6-RRDSA-36SB-1	147	45	47	4 1/2	38 7/8	51	53
42	D5-RRDSA-42SB	173	D5-RRDSA-42SB-1	170	D6-RRDSA-42SB	179	D6-RRDSA-42SB-1	175	51	53	4 1/2	44 7/8	57	59
48	D5-RRDSA-48SB	187	D5-RRDSA-48SB-1	184	D6-RRDSA-48SB	193	D6-RRDSA-48SB-1	190	57	59	4 1/2	50 7/8	63	65
54	D5-RRDSA-54SB	201	D5-RRDSA-54SB-1	198	D6-RRDSA-54SB	208	D6-RRDSA-54SB-1	204	63	65	4 1/2	56 7/8	69	71
60	D5-RRDSA-60SB	215	D5-RRDSA-60SB-1	212	D6-RRDSA-60SB	222	D6-RRDSA-60SB-1	219	69	71	4 1/2	62 7/8	75	77
72	D5-RRDSA-72SB	262	D5-RRDSA-72SB-1	259	D6-RRDSA-72SB	269	D6-RRDSA-72SB-1	266	81	83	4 1/2	74 7/8	87	89



## Flat Carrier Self-Aligner

Belt Width	Steel Rolls				Rubber Disc Rolls				Standard Dimensions			Wide Base	
	5" Roll Dia		6" Roll Dia		5" Roll Dia		6" Roll Dia						
	Part Number	WT	Part Number	WT	Part Number	WT	Part Number	WT	A	C	G	Aw	Cw
24	D5-FSA-24SB	98	D6-FSA-24SB	105	D5-FRDSA-24SB	107	D6-FRDSA-24SB	113	33	35	27 3/8	39	41
30	D5-FSA-30SB	109	D6-FSA-30SB	117	D5-FRDSA-30SB	121	D6-FRDSA-30SB	127	39	41	33 3/8	45	47
36	D5-FSA-36SB	120	D6-FSA-36SB	130	D5-FRDSA-36SB	134	D6-FRDSA-36SB	142	45	47	39 3/8	51	53
42	D5-FSA-42SB	147	D6-FSA-42SB	158	D5-FRDSA-42SB	163	D6-FRDSA-42SB	172	51	53	45 3/8	57	59
48	D5-FSA-48SB	160	D6-FSA-48SB	172	D5-FRDSA-48SB	178	D6-FRDSA-48SB	188	57	59	51 3/8	63	65
54	D5-FSA-54SB	187	D6-FSA-54SB	201	D5-FRDSA-54SB	205	D6-FRDSA-54SB	219	63	65	57 3/8	69	71
60	D5-FSA-60SB	202	D6-FSA-60SB	216	D5-FRDSA-60SB	224	D6-FRDSA-60SB	237	69	71	63 3/8	75	77
72	D5-FSA-72SB	231	D6-FSA-72SB	248	D5-FRDSA-72SB	258	D6-FRDSA-72SB	273	81	83	75 3/8	87	89

For Wide Base Option, add WB to end of the part number.

800.247.1228

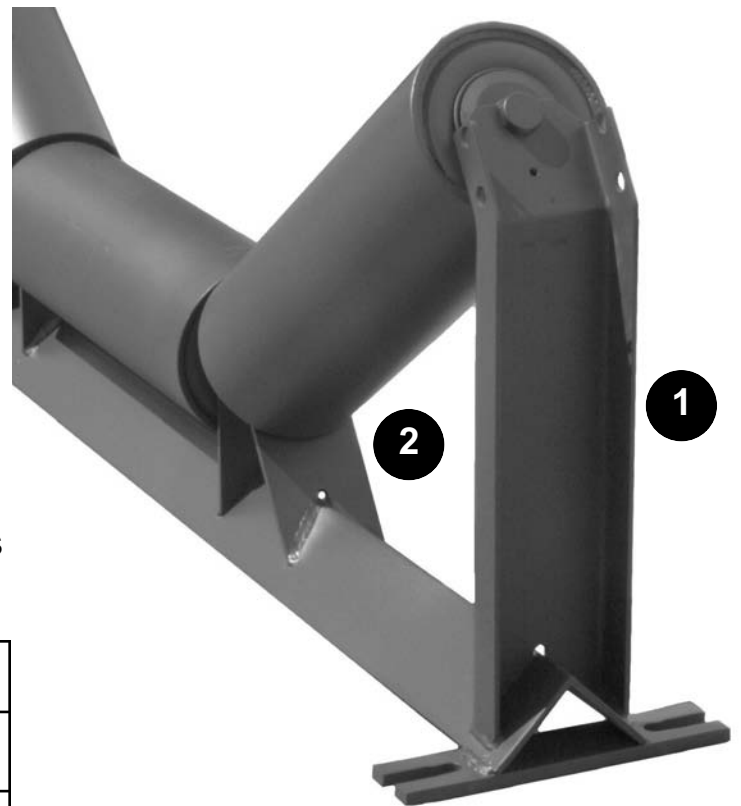
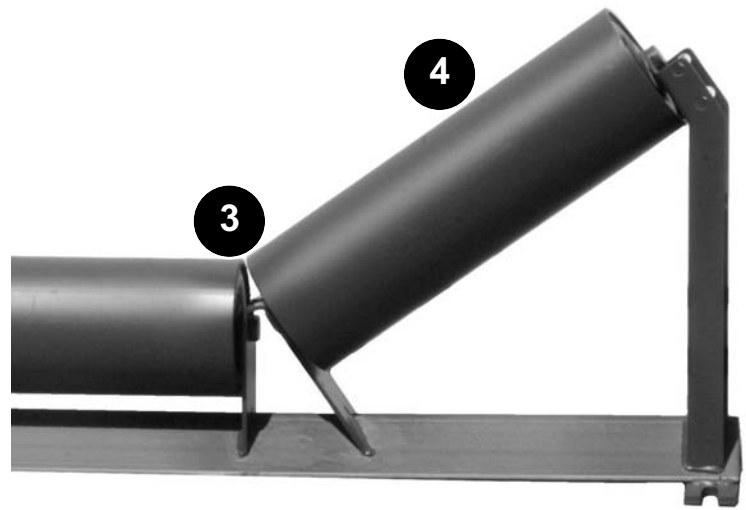
www.ppipella.com



# E Series Idler Features

**E-Series idler designed and built to handle huge loads!**

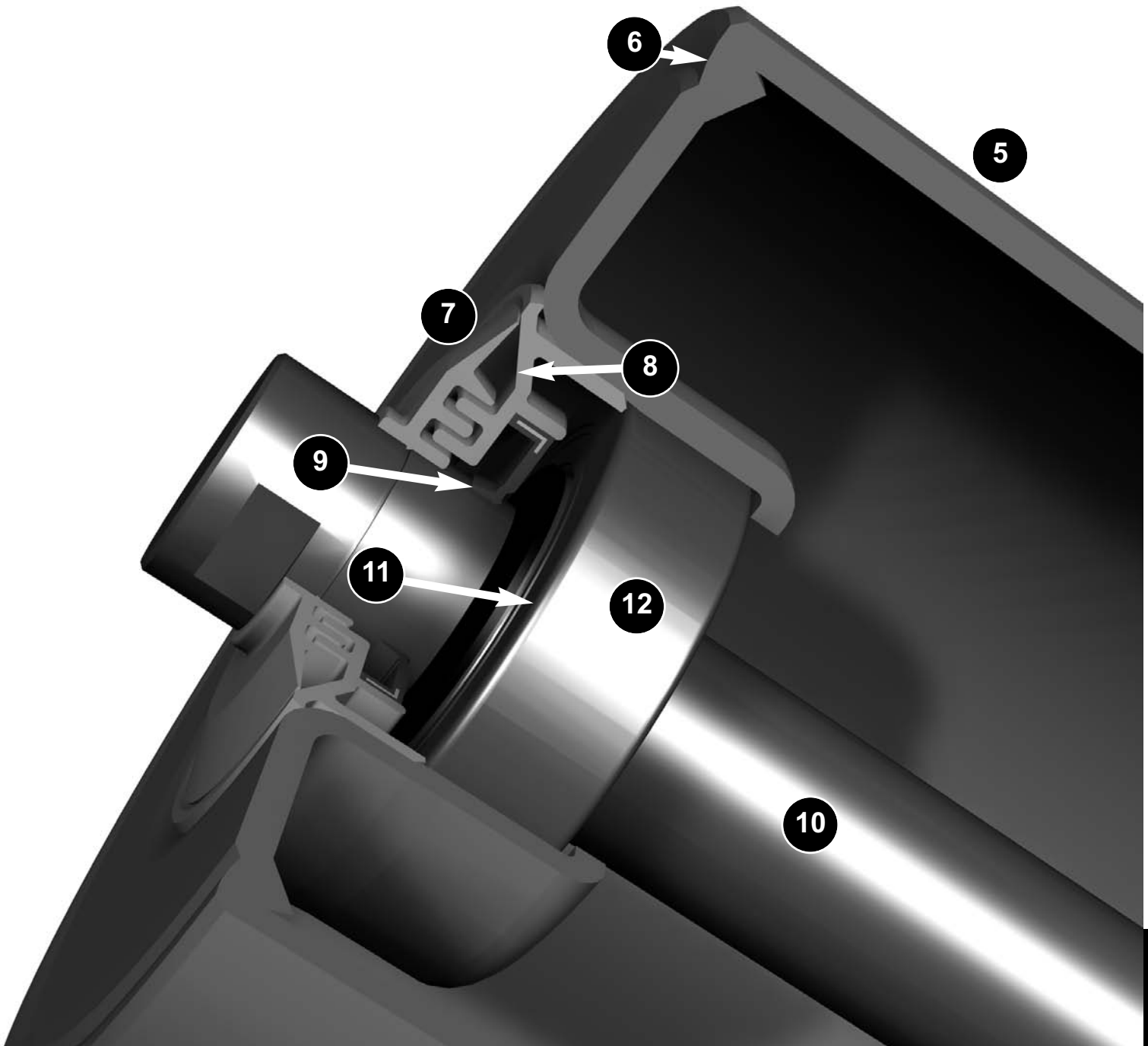
- Designed and manufactured for a long trouble free life with no greasing
- Maintenance free high quality sealed ball bearings
- Super duty frames built to last the life of the conveyor
- Conform to CEMA standards for dimensions and meet or exceed E series load ratings



## CEMA E LOAD RATINGS

BELT WIDTH	TROUGHING ANGLE			RETURN & FLAT	UNEQUAL (Picking)	LIVE SHAFT
	20°	35°	45°			
36	1,800	1,800	1,800	1,000	1,260	2,100
42	1,800	1,800	1,800	1,000	1,200	2,100
48	1,800	1,800	1,800	1,000	1,000	2,100
54	1,800	1,800	1,800	925	1,000	2,100
60	1,800	1,800	1,800	850	1,000	2,100
66	1,800	1,800	1,800	775	1,000	2,100
72	1,800	1,800	1,800	700	925	2,100
78				625		
84	1,800	1,674	1,620	550	775	1,825
90				475		
96	1,750	1,628	1,575	400	625	
102				250		
Two roll V>Returns (All)				1,300		

1. Extra heavy-duty formed end brackets
2. Extra heavy-duty formed center brackets
3. Designed with minimal roll gaps
4. Extremely low T.I.R. or runout
5. Full thickness tubing for the length of the roll

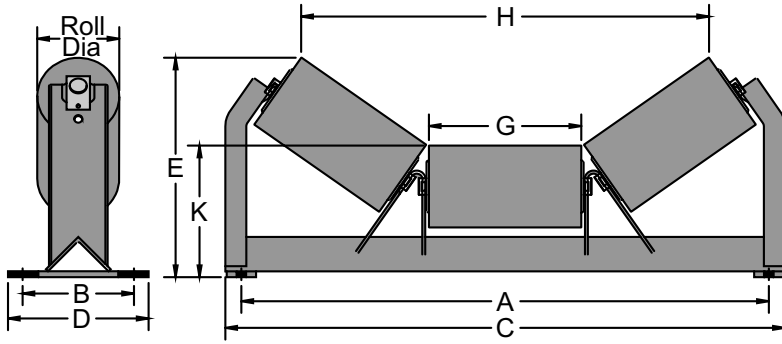


- 6. Weld protected from wear by the full thickness of the tubing
- 7. Large diameter stationary seal
- 8. Highly effective flinger seal
- 9. Nitrile contact seal protected from the environment

- 10. Solid steel shaft reduces deflection and increases load capacity
- 11. Bearing manufacturers contact seal & grease
- 12. Large diameter, high quality ball bearings to handle the big loads with no regular maintenance

# CEMA E Equal Troughers

For Mounting Details, see pages 56 & 57.



Belt Width	Standard Dimensions					Wide Base	
	A	B	C	D	G	Aw	Cw
36	45	9 1/2	49	12	13	51	53 1/2
42	51	9 1/2	54 3/4	12	15	57	59 1/2
48	57	9 1/2	62 5/8	12	17 3/4	63	65 1/2
54	63	9 1/2	68 3/8	12	19 3/4	69	71 1/2
60	69	9 1/2	74 1/4	12	21 3/4	75	77 1/2
66	75	9 1/2	79 7/8	12	23 3/4	81	83 1/2
72	81	9 1/2	85 7/8	12	25 3/4	87	89 1/2
84	93	12	97 1/4	14 1/2	29 3/4	99	101 1/2
96	105	12	108 3/4	14 1/2	33 3/4	111	113 1/2

## 20° Equal Trougher

Belt Width	6" Roll Dia					7" Roll Dia				
	Part Number	E	H	K	WT	Part Number	E	H	K	WT
36	E6-20TE-36SB	15 3/8	39 3/4	10 3/4	129	E7-20TE-36SB	15 7/8	39 3/8	11 1/4	141
42	E6-20TE-42SB	16 1/16	45 1/2	10 3/4	142	E7-20TE-42SB	16 9/16	45 1/8	11 1/4	154
48	E6-20TE-48SB	17	53 7/16	10 3/4	158	E7-20TE-48SB	17 1/2	53 1/16	11 1/4	168
54	E6-20TE-54SB	17 11/16	59 3/16	10 3/4	169	E7-20TE-54SB	18 3/16	58 7/8	11 1/4	186
60	E6-20TE-60SB	18 3/8	64 15/16	10 3/4	182	E7-20TE-60SB	18 7/8	64 9/16	11 1/4	199
66	E6-20TE-66SB	19 13/16	70 11/16	11 1/2	218	E7-20TE-66SB	20 1/4	70 5/16	12	237
72	E6-20TE-72SB	20 1/2	76 7/16	11 1/2	232	E7-20TE-72SB	20 15/16	76 1/8	12	252
84	E6-20TE-84SB	21 15/16	87 15/16	11 5/8	304	E7-20TE-84SB	22 7/16	87 9/16	12 1/8	326
96	E6-20TE-96SB	23 5/16	99 1/2	11 5/8	337	E7-20TE-96SB	23 13/16	99 1/8	12 1/8	362

## 35° Equal Trougher

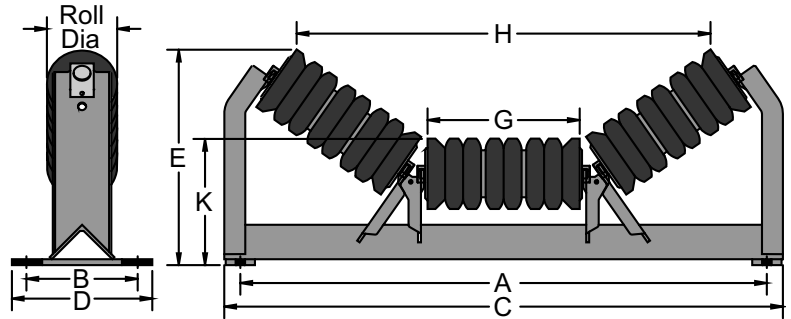
Belt Width	6" Roll Dia					7" Roll Dia				
	Part Number	E	H	K	WT	Part Number	E	H	K	WT
36	E6-35TE-36SB	18 5/16	35 3/8	10 3/4	134	E7-35TE-36SB	18 3/4	34 3/4	11 1/4	142
42	E6-35TE-42SB	19 1/2	40 5/8	10 3/4	147	E7-35TE-42SB	19 7/8	40 1/16	11 1/4	155
48	E6-35TE-48SB	21 1/16	47 7/8	10 3/4	163	E7-35TE-48SB	21 1/2	47 5/16	11 1/4	173
54	E6-35TE-54SB	22 1/4	53 3/16	10 3/4	175	E7-35TE-54SB	22 5/8	52 5/8	11 1/4	186
60	E6-35TE-60SB	23 3/8	58 7/16	10 3/4	188	E7-35TE-60SB	23 3/4	57 7/8	11 1/4	199
66	E6-35TE-66SB	25 1/4	63 3/4	11 1/2	224	E7-35TE-66SB	25 11/16	63 1/8	12	236
72	E6-35TE-72SB	26 7/16	69	11 1/2	239	E7-35TE-72SB	26 13/16	68 7/16	12	251
84	E6-35TE-84SB	28 13/16	79 9/16	11 5/8	311	E7-35TE-84SB	29 3/16	78 15/16	12 1/8	325
96	E6-35TE-96SB	31 1/8	90 1/8	11 5/8	346	E7-35TE-96SB	31 1/2	89 1/2	12 1/8	362

## 45° Equal Trougher

Belt Width	6" Roll Dia					7" Roll Dia				
	Part Number	E	H	K	WT	Part Number	E	H	K	WT
36	E6-45TE-36SB	20 1/8	32 9/16	10 3/4	137	E7-45TE-36SB	20 1/2	31 7/8	11 1/4	146
42	E6-45TE-42SB	21 9/16	37 3/8	10 3/4	151	E7-45TE-42SB	21 7/8	36 11/16	11 1/4	160
48	E6-45TE-48SB	23 1/2	44 1/16	10 3/4	167	E7-45TE-48SB	23 7/8	43 5/16	11 1/4	178
54	E6-45TE-54SB	24 15/16	48 7/8	10 3/4	179	E7-45TE-54SB	25 1/4	48 1/8	11 1/4	191
60	E6-45TE-60SB	26 5/16	53 11/16	10 3/4	193	E7-45TE-60SB	26 11/16	52 15/16	11 1/4	205
66	E6-45TE-66SB	28 1/2	58 9/16	11 1/2	229	E7-45TE-66SB	28 13/16	57 13/16	12	219
72	E6-45TE-72SB	29 7/8	63 3/8	11 1/2	245	E7-45TE-72SB	30 1/4	62 5/8	12	259
84	E6-45TE-84SB	32 13/16	73	11 5/8	317	E7-45TE-84SB	33 3/16	72 5/16	12 1/8	369
96	E6-45TE-96SB	35 11/16	82 5/8	11 5/8	353	E7-45TE-96SB	36	81 15/16	12 1/8	410

# CEMA E Equal Impact Troughers

Belt Width	Standard Dimensions					Wide Base	
	A	B	C	D	G	Aw	Cw
36	45	9 1/2	49	12	13	51	53 1/2
42	51	9 1/2	54 3/4	12	15	57	59 1/2
48	57	9 1/2	62 5/8	12	17 3/4	63	65 1/2
54	63	9 1/2	68 3/8	12	19 3/4	69	71 1/2
60	69	9 1/2	74 1/4	12	21 3/4	75	77 1/2
66	75	9 1/2	79 7/8	12	23 3/4	81	83 1/2
72	81	9 1/2	85 7/8	12	25 3/4	87	89 1/2
84	93	12	97 1/4	14 1/2	29 3/4	99	101 1/2
96	105	12	108 3/4	14 1/2	33 3/4	111	113 1/2



## 20° Equal Impact Trougher

Belt Width	6" Roll Dia					7" Roll Dia				
	Part Number	E	H	K	WT	Part Number	E	H	K	WT
36	E6P-20TEI-36SB	15 3/8	39 3/4	10 3/4	182	E7P-20TEI-36SB	15 7/8	39 3/8	11 1/4	186
42	E6P-20TEI-42SB	16 1/16	45 1/2	10 3/4	206	E7P-20TEI-42SB	16 9/16	45 1/8	11 1/4	209
48	E6P-20TEI-48SB	17	53 7/16	10 3/4	240	E7P-20TEI-48SB	17 1/2	53 1/16	11 1/4	242
54	E6P-20TEI-54SB	17 11/16	59 3/16	10 3/4	263	E7P-20TEI-54SB	18 3/16	58 7/8	11 1/4	266
60	E6P-20TEI-60SB	18 3/8	64 15/16	10 3/4	283	E7P-20TEI-60SB	18 7/8	64 9/16	11 1/4	286
66	E6P-20TEI-66SB	19 13/16	70 11/16	11 1/2	329	E7P-20TEI-66SB	20 1/4	70 5/16	12	333
72	E6P-20TEI-72SB	20 1/2	76 7/16	11 1/2	383	E7P-20TEI-72SB	20 15/16	76 1/8	12	385
84	E6P-20TEI-84SB	21 15/16	87 15/16	11 5/8	516	E7P-20TEI-84SB	22 7/16	87 9/16	12 1/8	521
96	E6P-20TEI-96SB	23 5/16	99 1/2	11 5/8	583	E7P-20TEI-96SB	23 13/16	99 1/8	12 1/8	590

## 35° Equal Impact Trougher

Belt Width	6" Roll Dia					7" Roll Dia				
	Part Number	E	H	K	WT	Part Number	E	H	K	WT
36	E6P-35TEI-36SB	18 5/16	35 3/8	10 3/4	187	E7P-35TEI-36SB	18 3/4	34 3/4	11 1/4	190
42	E6P-35TEI-42SB	19 1/2	40 5/8	10 3/4	211	E7P-35TEI-42SB	19 7/8	40 1/16	11 1/4	214
48	E6P-35TEI-48SB	21 1/16	47 7/8	10 3/4	243	E7P-35TEI-48SB	21 1/2	47 5/16	11 1/4	247
54	E6P-35TEI-54SB	22 1/4	53 3/16	10 3/4	268	E7P-35TEI-54SB	22 5/8	52 5/8	11 1/4	271
60	E6P-35TEI-60SB	23 3/8	58 7/16	10 3/4	289	E7P-35TEI-60SB	23 3/4	57 7/8	11 1/4	292
66	E6P-35TEI-66SB	25 1/4	63 3/4	11 1/2	336	E7P-35TEI-66SB	25 11/16	63 1/8	12	339
72	E6P-35TEI-72SB	26 7/16	69	11 1/2	389	E7P-35TEI-72SB	26 13/16	68 7/16	12	391
84	E6P-35TEI-84SB	28 13/16	79 9/16	11 5/8	523	E7P-35TEI-84SB	29 3/16	78 15/16	12 1/8	527
96	E6P-35TEI-96SB	31 1/8	90 1/8	11 5/8	591	E7P-35TEI-96SB	31 1/2	89 1/2	12 1/8	598

## 45° Equal Impact Trougher

Belt Width	6" Roll Dia					7" Roll Dia				
	Part Number	E	H	K	WT	Part Number	E	H	K	WT
36	E6P-45TEI-36SB	20 1/8	32 9/16	10 3/4	191	E7P-45TEI-36SB	20 1/2	31 7/8	11 1/4	194
42	E6P-45TEI-42SB	21 9/16	37 3/8	10 3/4	216	E7P-45TEI-42SB	21 7/8	36 11/16	11 1/4	218
48	E6P-45TEI-48SB	23 1/2	44 1/16	10 3/4	249	E7P-45TEI-48SB	23 7/8	43 5/16	11 1/4	251
54	E6P-45TEI-54SB	24 15/16	48 7/8	10 3/4	273	E7P-45TEI-54SB	25 1/4	48 1/8	11 1/4	275
60	E6P-45TEI-60SB	26 5/16	53 11/16	10 3/4	293	E7P-45TEI-60SB	26 11/16	52 15/16	11 1/4	297
66	E6P-45TEI-66SB	28 1/2	58 9/16	11 1/2	341	E7P-45TEI-66SB	28 13/16	57 13/16	12	344
72	E6P-45TEI-72SB	29 7/8	63 3/8	11 1/2	394	E7P-45TEI-72SB	30 1/4	62 5/8	12	397
84	E6P-45TEI-84SB	32 13/16	73	11 5/8	528	E7P-45TEI-84SB	33 3/16	72 5/16	12 1/8	533
96	E6P-45TEI-96SB	35 11/16	82 5/8	11 5/8	598	E7P-45TEI-96SB	36	81 15/16	12 1/8	604

For Wide Base Option, add WB to end of the part number.

Subject to change without notice

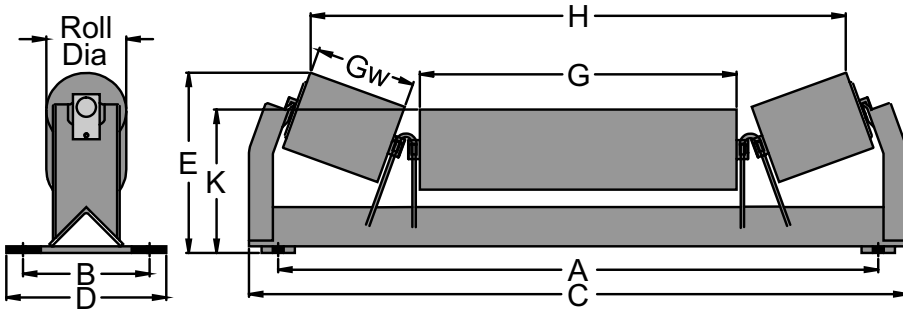
For Mounting Details, see pages 56 & 57.

800.247.1228

www.ppipella.com



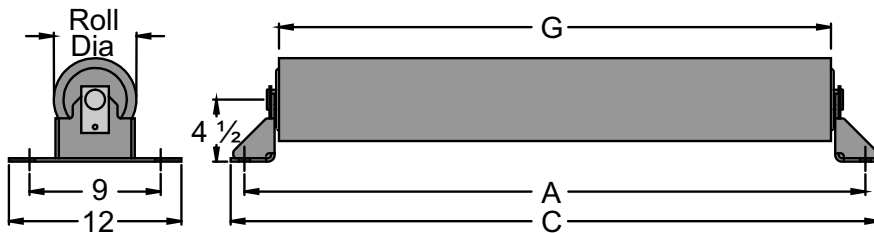
# CEMA E Unequal Trougher & Flat Carrier



Belt Width	Standard Dimensions			
	A	B	C	D
36	45	9 1/2	49 3/8	12
42	51	9 1/2	55 3/8	12
48	57	9 1/2	61 3/8	12
54	63	9 1/2	67 3/8	12
60	69	9 1/2	73 3/8	12
66	75	9 1/2	79 3/8	12
72	81	9 1/2	85 3/8	12
84	93	12	97 3/8	14 1/2
96	105	12	109 3/8	14 1/2

## 20° Unequal Trougher

Belt Width	6" Roll Dia					7" Roll Dia					G	Gw
	Part Number	E	H	K	WT	Part Number	E	H	K	WT		
36	E6-20TU-36SB	13 1/2	40 3/16	10 3/4	129	E7-20TU-36SB	13 15/16	39 13/16	11 1/4	134	23 3/4	7 1/2
42	E6-20TU-42SB	13 1/2	46 3/16	10 3/4	140	E7-20TU-42SB	13 15/16	45 13/16	11 1/4	146	29 3/4	7 1/2
48	E6-20TU-48SB	13 1/2	52 3/16	10 3/4	151	E7-20TU-48SB	13 15/16	51 13/16	11 1/4	158	35 3/4	7 1/2
54	E6-20TU-54SB	13 1/2	58 3/16	10 3/4	163	E7-20TU-54SB	13 15/16	57 13/16	11 1/4	171	41 3/4	7 1/2
60	E6-20TU-60SB	13 1/2	64 3/16	10 3/4	173	E7-20TU-60SB	13 15/16	63 13/16	11 1/4	183	47 3/4	7 1/2
66	E6-20TU-66SB	14 1/4	70 1/8	11 1/2	210	E7-20TU-66SB	14 3/4	69 3/4	12	219	53 3/4	7 1/2
72	E6-20TU-72SB	14 1/4	76 1/8	11 1/2	223	E7-20TU-72SB	14 3/4	75 3/4	12	233	59 3/4	7 1/2
84	E6-20TU-84SB	14 3/8	88 1/8	11 5/8	297	E7-20TU-84SB	14 13/16	87 3/4	12 1/8	309	71 3/4	7 1/2
96	E6-20TU-96SB	14 3/8	100 1/8	11 5/8	329	E7-20TU-96SB	14 13/16	99 3/4	12 1/8	344	83 3/4	7 1/2



Operation & Maintenance manuals can be downloaded from our website at <http://www.ppipella.com>  
**For Mounting Details, see pages 56 & 57.**

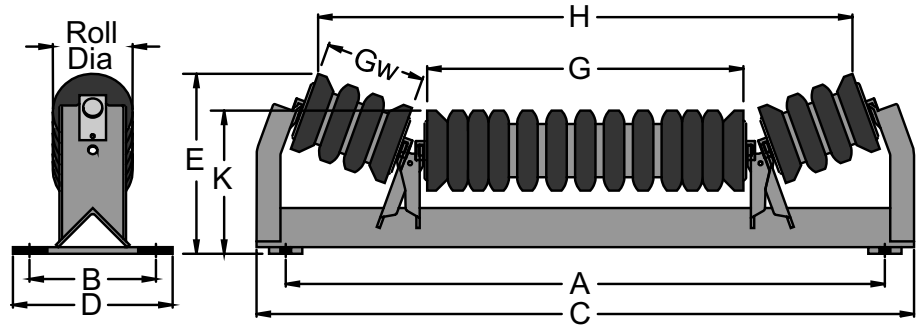
## Flat Carrier

Belt Width	6" Roll Dia		7" Roll Dia		Std Dim.		
	Part Number	WT	Part Number	WT	A	C	G
36	E6-F-36SB	72	E7-F-36SB	78	45	47	40
42	E6-F-42SB	80	E7-F-42SB	88	51	53	46
48	E6-F-48SB	87	E7-F-48SB	96	57	59	52
54	E6-F-54SB	96	E7-F-54SB	105	63	65	58
60	E6-F-60SB	103	E7-F-60SB	114	69	71	64
66	E6-F-66SB	112	E7-F-66SB	122	75	77	70
72	E6-F-72SB	119	E7-F-72SB	132	81	83	76
84	E6-F-84SB	135	E7-F-84SB	149	93	95	88
96	E6-F-96SB	151	E7-F-96SB	167	105	107	100
102	E6-F-96SB	160	E7-F-96SB	176	111	113	106



# CEMA E Unequal Impact Trougher & Flat Carrier

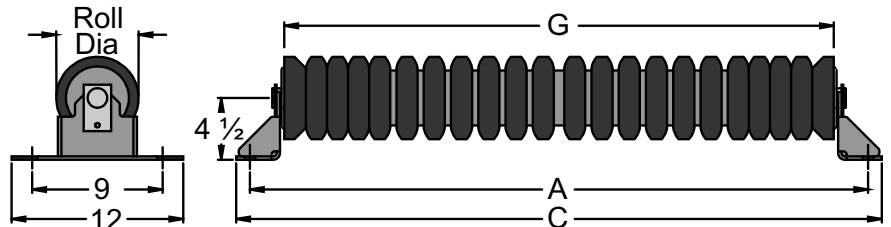
Belt Width	Standard Dimensions			
	A	B	C	D
36	45	9 1/2	49 3/8	12
42	51	9 1/2	55 3/8	12
48	57	9 1/2	61 3/8	12
54	63	9 1/2	67 3/8	12
60	69	9 1/2	73 3/8	12
66	75	9 1/2	79 3/8	12
72	81	9 1/2	85 3/8	12
84	93	12	97 3/8	14 1/2
96	105	12	109 3/8	14 1/2



## 20° Unequal Impact Trougher

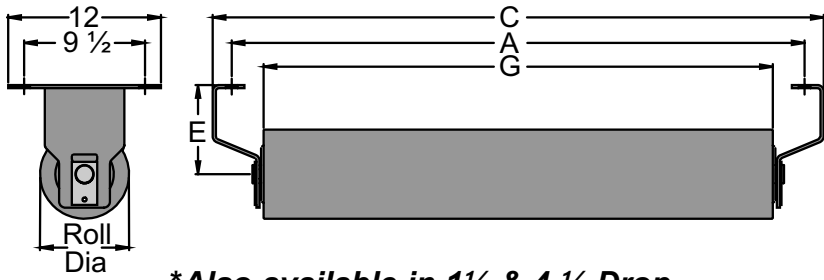
Belt Width	6" Roll Dia					7" Roll Dia					G	Gw
	Part Number	E	H	K	WT	Part Number	E	H	K	WT		
36	E6P-20TUI-36SB	13 1/2	40 3/16	10 3/4	126	E7P-20TUI-36SB	13 15/16	39 13/16	11 1/4	181	23 3/4	7 1/2
42	E6P-20TUI-42SB	13 1/2	46 3/16	10 3/4	137	E7P-20TUI-42SB	13 15/16	45 13/16	11 1/4	205	29 3/4	7 1/2
48	E6P-20TUI-48SB	13 1/2	52 3/16	10 3/4	151	E7P-20TUI-48SB	13 15/16	51 13/16	11 1/4	227	35 3/4	7 1/2
54	E6P-20TUI-54SB	13 1/2	58 3/16	10 3/4	163	E7P-20TUI-54SB	13 15/16	57 13/16	11 1/4	250	41 3/4	7 1/2
60	E6P-20TUI-60SB	13 1/2	64 3/16	10 3/4	175	E7P-20TUI-60SB	13 15/16	63 13/16	11 1/4	275	47 3/4	7 1/2
66	E6P-20TUI-66SB	14 1/4	70 1/8	11 1/2	201	E7P-20TUI-66SB	14 3/4	69 3/4	12	313	53 3/4	7 1/2
72	E6P-20TUI-72SB	14 1/4	76 1/8	11 1/2	225	E7P-20TUI-72SB	14 3/4	75 3/4	12	365	59 3/4	7 1/2
84	E6P-20TUI-84SB	14 3/8	88 1/8	11 5/8	301	E7P-20TUI-84SB	14 13/16	87 3/4	12 1/8	497	71 3/4	7 1/2
96	E6P-20TUI-96SB	14 3/8	100 1/8	11 5/8	334	E7P-20TUI-96SB	14 13/16	99 3/4	12 1/8	561	83 3/4	7 1/2

For Idler Replacement Parts & Special Mounting Brackets, download our Idler Replacement Parts Catalog at <http://www.ppipella.com>



## Flat Rubber Disc Carrier

Belt Width	6" Roll Dia		7" Roll Dia		Std. Dim.		
	Part Number	WT	Part Number	WT	A	C	G
36	E6P-FRD-36SB	122	E7P-FRD-36SB	111	45	47	40
42	E6P-FRD-42SB	136	E7P-FRD-42SB	125	51	53	46
48	E6P-FRD-48SB	150	E7P-FRD-48SB	139	57	59	52
54	E6P-FRD-54SB	163	E7P-FRD-54SB	153	63	65	58
60	E6P-FRD-60SB	177	E7P-FRD-60SB	167	69	71	64
66	E6P-FRD-66SB	191	E7P-FRD-66SB	181	75	77	70
72	E6P-FRD-72SB	195	E7P-FRD-72SB	195	81	83	76
84	E6P-FRD-84SB	219	E7P-FRD-84SB	224	93	95	88
96	E6P-FRD-96SB	245	E7P-FRD-96SB	251	105	107	100
102	E6P-FRD-102SB	259	E7P-FRD-102SB	266	111	113	106



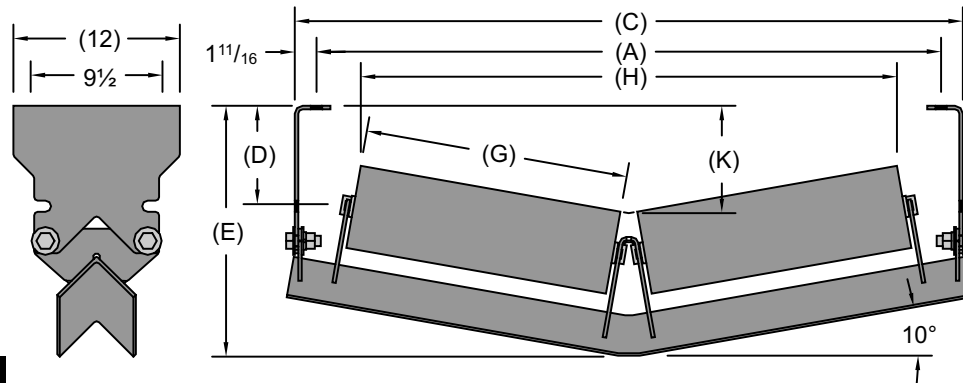
# CEMA E Return & V-Return

For Mounting Details, see  
pages 56 & 57.

\*Also available in 1 1/2 & 4 1/2 Drop

## Return

Belt Width	6" Roll Dia		7" Roll Dia		Standard Dimensions		
	Std E=7"	WT	Std E=7"	WT	A	C	G
	Part Number		Part Number				
36	E6-R-36SB	77	E7-R-36SB	82	45	48	40
42	E6-R-42SB	84	E7-R-42SB	92	51	54	46
48	E6-R-48SB	92	E7-R-48SB	101	57	60	52
54	E6-R-54SB	100	E7-R-54SB	110	63	66	58
60	E6-R-60SB	108	E7-R-60SB	118	69	72	64
66	E6-R-66SB	116	E7-R-66SB	127	75	78	70
72	E6-R-72SB	124	E7-R-72SB	136	81	84	76
84	E6-R-84SB	140	E7-R-84SB	154	93	96	88
96	E6-R-96SB	155	E7-R-96SB	171	105	108	100
102	E6-R-102SB	164	E7-R-102SB	180	111	114	106



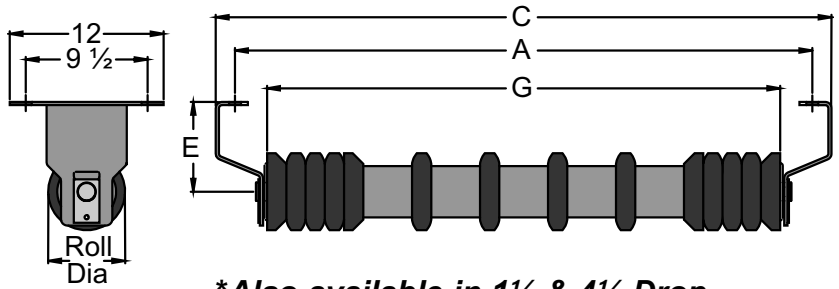
Belt Width	Standard Dimensions		
	A	C	G
36	45	49	19
42	51	55	22 1/16
48	57	61	25 1/16
54	63	67	28 1/8
60	69	73	31 3/16
66	75	79	34 1/4
72	81	85	37 1/4
78	87	91	40 5/16
84	93	97	43 3/8
90	99	103	46 7/16
96	105	109	49 7/16
102	111	115	52 1/2

## V-Return

Belt Width	6" Roll Dia					7" Roll Dia				
	Part Number	E	H	K	WT	Part Number	E	H	K	WT
36	E6-10VR-36SB-7	18 1/8	38 9/16	7 9/16	120	E7-10VR-36SB-7	18 1/8	38 7/16	7 1/16	127
42	E6-10VR-42SB-7	18 11/16	44 5/8	8 1/8	131	E7-10VR-42SB-7	18 11/16	44 7/16	7 5/8	139
48	E6-10VR-48SB-7	19 3/16	50 5/8	8 11/16	143	E7-10VR-48SB-7	19 3/16	50 7/16	8 3/16	152
54	E6-10VR-54SB-7	19 3/4	56 5/8	9 3/16	154	E7-10VR-54SB-7	19 3/4	56 7/16	8 11/16	164
60	E6-10VR-60SB-7	20 1/4	62 5/8	9 11/16	169	E7-10VR-60SB-7	20 1/4	62 7/16	9 3/16	181
66	E6-10VR-66SB-7	20 13/16	68 5/8	10 1/4	181	E7-10VR-66SB-7	20 13/16	68 7/16	9 3/4	193
72	E6-10VR-72SB-7	21 5/16	74 5/8	10 3/4	192	E7-10VR-72SB-7	21 5/16	74 7/16	10 1/4	205
78	E6-10VR-78SB-7	22 1/16	80 5/8	11 5/16	208	E7-10VR-78SB-7	22 1/16	80 7/16	10 13/16	222
84	E6-10VR-84SB-7	22 5/8	86 5/8	11 7/8	229	E7-10VR-84SB-7	22 5/8	86 7/16	11 5/16	243
90	E6-10VR-90SB-7	23 1/8	92 5/8	12 3/8	234	E7-10VR-90SB-7	23 1/8	92 7/16	11 7/8	250
96	E6-10VR-96SB-7	23 11/16	98 5/8	12 7/8	247	E7-10VR-96SB-7	23 11/16	98 7/16	12 3/8	262
102	E6-10VR-102SB-7	24 3/16	104 5/8	13 7/16	262	E7-10VR-102SB-7	24 3/16	104 7/16	12 15/16	279

# CEMA E Return Rubber Disc & V-Return Rubber Disc

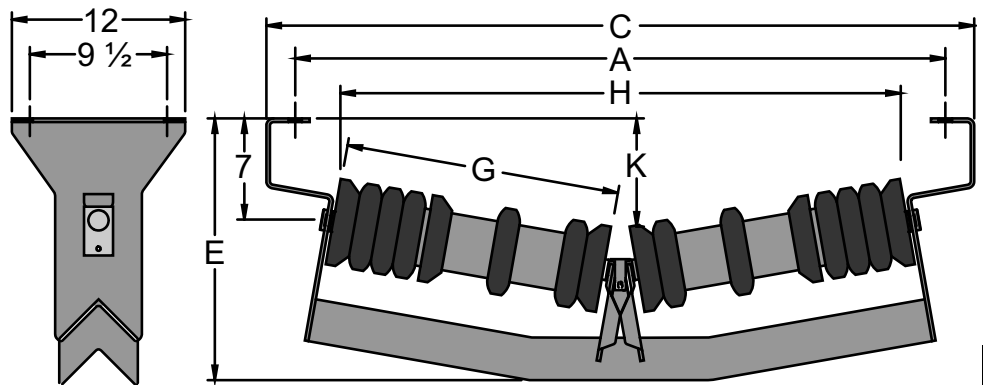
For Mounting Details, see  
pages 56 & 57.



\*Also available in 1 1/2 & 4 1/2 Drop

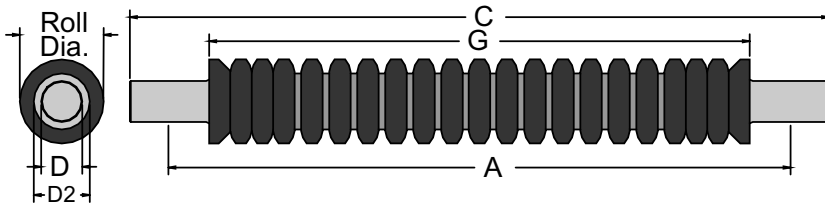
Return Rubber Disc									
Belt Width	6" Roll Dia			7" Roll Dia			Standard Dimensions		
	Std E=7"		WT	Std E=7"		WT	A	C	G
	Part Number			Part Number					
36	E6-RRD-36SB		110	E7-RRD-36SB		112	45	48	40
42	E6-RRD-42SB		123	E7-RRD-42SB		125	51	54	46
48	E6-RRD-48SB		135	E7-RRD-48SB		139	57	60	52
54	E6-RRD-54SB		148	E7-RRD-54SB		152	63	66	58
60	E6-RRD-60SB		161	E7-RRD-60SB		165	69	72	64
66	E6-RRD-66SB		174	E7-RRD-66SB		178	75	78	70
72	E6-RRD-72SB		186	E7-RRD-72SB		191	81	84	76
84	E6-RRD-84SB		212	E7-RRD-84SB		217	93	96	88
96	E6-RRD-96SB		238	E7-RRD-96SB		244	105	108	100
102	E6-RRD-102SB		251	E7-RRD-102SB		257	111	114	106

Belt Width	Standard Dimensions		
	A	C	G
36	45	49	19
42	51	55	22 1/16
48	57	61	25 1/16
54	63	67	28 1/8
60	69	73	31 3/16
66	75	79	34 1/4
72	81	85	37 1/4
78	87	91	40 5/16
84	93	97	43 3/8
90	99	103	46 7/16
96	105	109	49 7/16
102	111	115	52 1/2



V-Return Rubber Disc										
Belt Width	6" Roll Dia					7" Roll Dia				
	Part Number	E	H	K	WT	Part Number	E	H	K	WT
36	E6-10VRI-36SB-7	18 1/8	38 9/16	7 9/16	143	E7-10VRI-36SB-7	18 1/8	38 7/16	7 1/16	145
42	E6-10VRI-42SB-7	18 11/16	44 5/8	8 1/8	159	E7-10VRI-42SB-7	18 11/16	44 7/16	7 5/8	161
48	E6-10VRI-48SB-7	19 3/16	50 5/8	8 11/16	173	E7-10VRI-48SB-7	19 3/16	50 7/16	8 3/16	175
54	E6-10VRI-54SB-7	19 3/4	56 5/8	9 3/16	189	E7-10VRI-54SB-7	19 3/4	56 7/16	8 11/16	191
60	E6-10VRI-60SB-7	20 1/4	62 5/8	9 11/16	207	E7-10VRI-60SB-7	20 1/4	62 7/16	9 3/16	209
66	E6-10VRI-66SB-7	20 13/16	68 5/8	10 1/4	223	E7-10VRI-66SB-7	20 13/16	68 7/16	9 3/4	225
72	E6-10VRI-72SB-7	21 5/16	74 5/8	10 3/4	239	E7-10VRI-72SB-7	21 5/16	74 7/16	10 1/4	242
78	E6-10VRI-78SB-7	22 1/16	80 5/8	11 5/16	257	E7-10VRI-78SB-7	22 1/16	80 7/16	10 13/16	259
84	E6-10VRI-84SB-7	22 5/8	86 5/8	11 7/8	283	E7-10VRI-84SB-7	22 5/8	86 7/16	11 5/16	286
90	E6-10VRI-90SB-7	23 1/8	92 5/8	12 3/8	291	E7-10VRI-90SB-7	23 1/8	92 7/16	11 7/8	293
96	E6-10VRI-96SB-7	23 11/16	98 5/8	12 7/8	307	E7-10VRI-96SB-7	23 11/16	98 7/16	12 3/8	310
102	E6-10VRI-102SB-7	24 3/16	104 5/8	13 7/16	328	E7-10VRI-102SB-7	24 3/16	104 4/9	12 15/16	330

# CEMA E LSI & Inverted V-Return

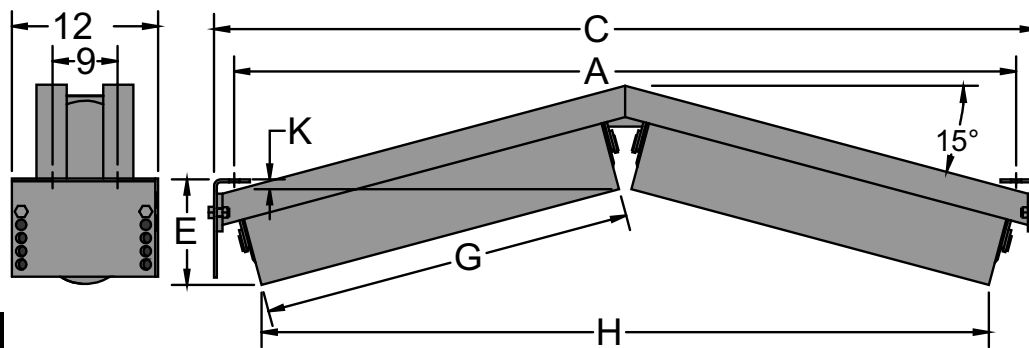


*Live Shaft Idlers are available in several different configurations, such as with different bearing journal diameters or as a steel can.*

*Please contact Precision Pulley & Idler with your requirements.*

## Live Shaft Impact Flat Carrier

Belt Width	6" Roll Dia		7" Roll Dia		Standard Dimensions				
	Part Number	WT	Part Number	WT	A	C	D	D2	G
36	E6-39LSI-36	205	E7-39LSI-36	207	45	50	2 7/16	4	38 5/8
42	E6-39LSI-42	230	E7-39LSI-42	232	51	56	2 7/16	4	44 5/8
48	E6-39LSI-48	255	E7-39LSI-48	258	57	62	2 7/16	4	50 5/8
54	E6-39LSI-54	279	E7-39LSI-54	282	63	68	2 7/16	4	56 5/8
60	E6-39LSI-60	305	E7-39LSI-60	309	69	74	2 7/16	4	62 5/8
66	E6-39LSI-66	329	E7-39LSI-66	333	75	80	2 7/16	4	68 5/8
72	E6-39LSI-72	354	E7-39LSI-72	358	81	86	2 7/16	4	74 5/8
78	E6-39LSI-78	379	E7-39LSI-78	384	87	92	2 7/16	4	80 5/8
84	E6-39LSI-84	404	E7-39LSI-84	409	93	98	2 7/16	4	86 5/8
90	E6-39LSI-90	429	E7-39LSI-90	434	99	104	2 7/16	4	92 5/8
96	E6-39LSI-96	454	E7-39LSI-96	460	105	110	2 7/16	4	98 5/8
102	E6-39LSI-102	481	E7-39LSI-102	487	111	116	2 7/16	4	104 5/8



*For Mounting Details, see pages 56 & 57.*

Belt Width	Std. Dim.		
	A	C	G
36	45	48 1/4	19 3/4
42	51	54 1/4	21 3/4
48	57	60 1/4	25 3/4
54	63	66 1/4	28
60	69	72 1/4	31 3/4
66	75	78 1/4	34 3/4
72	81	84 1/4	37 3/4
84	93	96 1/4	43 3/4
96	105	108 1/4	49 3/4
102	111	114 1/4	52 3/4

## Inverted V-Return

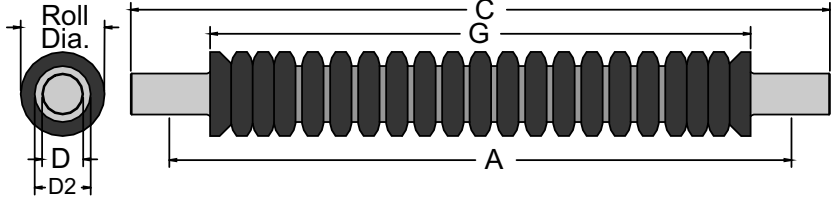
Belt Width	6" Roll Dia					7" Roll Dia				
	Part Number	E	H	K	WT	Part Number	E	H	K	WT
36	E6-15IVR-36SB-7	8 9/16	40 1/4	3 7/16	167	E7-15IVR-36SB-7	9 1/16	40 1/4	2 15/16	176
42	E6-15IVR-42SB-7	8 5/16	44 1/8	2 11/16	181	E7-15IVR-42SB-7	8 13/16	44 1/8	2 3/16	190
48	E6-15IVR-48SB-7	8 9/16	51 7/8	1 7/8	201	E7-15IVR-48SB-7	9 1/16	51 7/8	1 3/8	210
54	E6-15IVR-54SB-7	8 5/16	56 1/4	1 1/16	215	E7-15IVR-54SB-7	8 13/16	56 1/4	9/16	225
60	E6-15IVR-60SB-7	8 1/2	63 7/16	5/16	235	E7-15IVR-60SB-7	9	63 7/16	- 3/16	245
66	E6-15IVR-66SB-7	8 9/16	70 5/8	- 7/16	255	E7-15IVR-66SB-7	9 1/16	70 5/8	- 15/16	265
72	E6-15IVR-72SB-7	8 9/16	77 13/16	- 1 3/16	270	E7-15IVR-72SB-7	9 1/16	77 13/16	- 1 11/16	280
84	E6-15IVR-84SB-7	8 9/16	92 3/16	- 2 11/16	290	E7-15IVR-84SB-7	9 1/16	92 3/16	- 2 11/16	300
96	E6-15IVR-96SB-7	8 9/16	106 9/16	- 4 3/16	310	E7-15IVR-96SB-7	9 1/16	106 9/16	- 4 3/16	320
102	E615IVR102SB-7	8 9/16	113 3/4	- 4 15/16	325	E715IVR102SB-7	9 1/16	113 3/4	- 4 15/16	335

*Dimensions are for the top position. There are 4 additional positions possible.*

# CEMA E LSI & Inverted V-Return Rubber Disc

Live Shaft Idlers are available in several different configurations, such as with different bearing journal diameters or as a steel can.

Please contact Precision Pulley & Idler with your requirements.



## Live Shaft Impact Flat Carrier

Belt Width	6" Roll Dia		7" Roll Dia		Standard Dimensions				
	Part Number	WT	Part Number	WT	A	C	D	D2	G
36	E6-47LSI-36	211	E7-47LSI-36	213	45	50	2 15/16	4	38 5/8
42	E6-47LSI-42	236	E7-47LSI-42	238	51	56	2 15/16	4	44 5/8
48	E6-47LSI-48	261	E7-47LSI-48	264	57	62	2 15/16	4	50 5/8
54	E6-47LSI-54	285	E7-47LSI-54	288	63	68	2 15/16	4	56 5/8
60	E6-47LSI-60	311	E7-47LSI-60	315	69	74	2 15/16	4	62 5/8
66	E6-47LSI-66	335	E7-47LSI-66	339	75	80	2 15/16	4	68 5/8
72	E6-47LSI-72	360	E7-47LSI-72	364	81	86	2 15/16	4	74 5/8
78	E6-47LSI-78	385	E7-47LSI-78	390	87	92	2 15/16	4	80 5/8
84	E6-47LSI-84	410	E7-47LSI-84	415	93	98	2 15/16	4	86 5/8
90	E6-47LSI-90	435	E7-47LSI-90	440	99	104	2 15/16	4	92 5/8
96	E6-47LSI-96	460	E7-47LSI-96	466	105	110	2 15/16	4	98 5/8
102	E6-47LSI-102	487	E7-47LSI-102	493	111	116	2 15/16	4	104 5/8

Belt Width	Std. Dim.			E	K	G	H	C	A
	A	C	G						
36	45	47	19 3/4						
42	51	53	21 3/4						
48	57	59	25 3/4						
54	63	65	28						
60	69	71	31 3/4						
66	75	78 1/4	34 3/4						
72	81	84 1/4	37 3/4						
84	93	96 1/4	43 3/4						
96	105	108 1/4	49 3/4						
102	111	114 1/4	52 3/4						

For Mounting Details, see pages 56 & 57.

## Inverted V-Return Rubber Disc

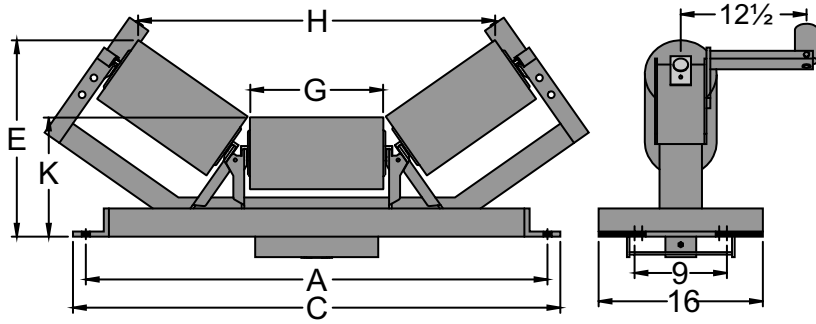
Belt Width	6" Roll Dia					7" Roll Dia				
	Part Number	E	H	K	WT	Part Number	E	H	K	WT
36	E615IVRI36SB-7	8 9/16	40 1/4	3 7/16	180	E715IVRI36SB-7	9 1/16	40 1/4	2 15/16	190
42	E615IVRI42SB-7	8 5/16	44 1/8	2 11/16	194	E715IVRI42SB-7	8 13/16	44 1/8	2 3/16	204
48	E615IVRI48SB-7	8 9/16	51 7/8	1 7/8	221	E715IVRI48SB-7	9 1/16	51 7/8	1 3/8	231
54	E615IVRI54SB-7	8 5/16	56 1/4	1 1/16	238	E715IVRI54SB-7	8 13/16	56 1/4	9/16	248
60	E615IVRI60SB-7	8 1/2	63 7/16	5/16	261	E715IVRI60SB-7	9	63 7/16	- 3/16	271
66	E615IVRI66SB-7	8 9/16	70 5/8	- 7/16	284	E715IVRI66SB-7	9 1/16	70 5/8	- 15/16	294
72	E615IVRI72SB-7	8 9/16	77 13/16	-1 3/16	302	E715IVRI72SB-7	9 1/16	77 13/16	-1 11/16	312
84	E615IVRI84SB-7	8 9/16	92 3/16	-2 11/16	328	E715IVRI84SB-7	9 1/16	92 3/16	-3 3/16	338
96	E615IVRI96SB-7	8 9/16	106 9/16	-4 3/16	354	E715IVRI96SB-7	9 1/16	106 9/16	-4 11/16	364
102	E615IVRI102SB-7	8 9/16	113 3/4	-4 15/16	373	E715IVRI102SB-7	9 1/16	113 3/4	-5 7/16	383

Dimensions are for the top position. There are 4 additional positions possible.

Subject to change without notice

# CEMA E Self-Aligner - Trougher

For Reversing Belts, see our Reversing SA Flyer.



Belt Width	Standard Dimensions					Wide Base	
	A	B	C	D	G	Aw	Cw
36	45	9 1/2	47 1/2	16	13	51	53 1/2
42	51	9 1/2	53 1/2	16	15	57	59 1/2
48	57	9 1/2	59 1/2	16	17 3/4	63	65 1/2
54	63	9 1/2	65 1/2	16	19 3/4	69	71 1/2
60	69	9 1/2	71 1/2	16	21 3/4	75	77 1/2
66	75	9 1/2	77 1/2	16	23 3/4	81	83 1/2
72	81	9 1/2	83 1/2	16	25 3/4	87	89 1/2
84	93	12	95 1/2	16	29 3/4	99	101 1/2
96	105	12	107 1/2	16	33 3/4	111	113 1/2

## 20° Self-Aligner Equal Trougher

\*Guide Roll Shipped Unassembled

Belt Width	6" Roll Dia					7" Roll Dia				
	Part Number	E	H	K	WT	Part Number	E	H	K	WT
36	E6-20TESA-36SB	15 3/4	39 3/4	11 1/8	192	E7-20TESA-36SB	16 1/4	39 3/8	11 5/8	199
42	E6-20TESA-42SB	16 1/2	45 1/2	11 1/8	208	E7-20TESA-42SB	16 7/8	45 1/8	11 5/8	216
48	E6-20TESA-48SB	17 3/8	53 7/16	11 1/8	245	E7-20TESA-48SB	17 13/16	53 1/16	11 5/8	254
54	E6-20TESA-54SB	18 1/16	59 3/16	11 1/8	264	E7-20TESA-54SB	18 9/16	58 7/8	11 5/8	275
60	E6-20TESA-60SB	18 3/4	64 15/16	11 1/8	285	E7-20TESA-60SB	19 1/4	64 9/16	11 5/8	296
66	E6-20TESA-66SB	20 9/16	70 5/8	12 1/4	305	E7-20TESA-66SB	21 1/16	70 1/4	12 3/4	318
72	E6-20TESA-72SB	21 1/4	76 7/16	12 1/4	336	E7-20TESA-72SB	21 3/4	76 1/8	12 3/4	348
84	E6-20TESA-84SB	22 5/8	87 15/16	12 1/4	372	E7-20TESA-84SB	23 1/16	87 9/16	12 3/4	386
96	E6-20TESA-96SB	24	99 1/2	12 1/4	411	E7-20TESA-96SB	24 7/16	99 1/8	12 3/4	428

## 35° Self-Aligner Equal Trougher

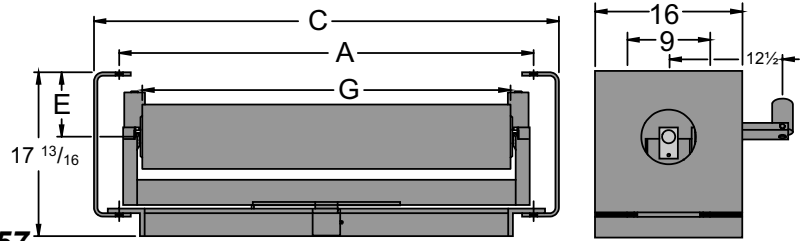
Belt Width	6" Roll Dia					7" Roll Dia				
	Part Number	E	H	K	WT	Part Number	E	H	K	WT
36	E6-35TESA-36SB	18 3/4	35 3/8	11 1/8	194	E7-35TESA-36SB	19 1/8	34 3/4	11 5/8	201
42	E6-35TESA-42SB	19 7/8	40 5/8	11 1/8	211	E7-35TESA-42SB	20 1/4	40 1/16	11 5/8	218
48	E6-35TESA-48SB	21 7/16	47 7/8	11 1/8	247	E7-35TESA-48SB	21 7/8	47 5/16	11 5/8	257
54	E6-35TESA-54SB	22 9/16	53 3/16	11 1/8	267	E7-35TESA-54SB	21 7/8	52 5/8	11 5/8	278
60	E6-35TESA-60SB	23 3/4	58 7/16	11 1/8	288	E7-35TESA-60SB	24 3/16	57 7/8	11 5/8	299
66	E6-35TESA-66SB	26 1/16	63 3/4	12 1/4	309	E7-35TESA-66SB	26 1/2	63 3/16	12 3/4	320
72	E6-35TESA-72SB	27 3/16	69	12 1/4	364	E7-35TESA-72SB	27 9/16	68 7/16	12 3/4	376
84	E6-35TESA-84SB	29 7/16	79 9/16	12 1/4	406	E7-35TESA-84SB	29 7/8	78 15/16	12 3/4	420
96	E6-35TESA-96SB	31 3/4	90 1/8	12 1/4	449	E7-35TESA-96SB	32 1/8	89 1/2	12 3/4	465

## 45° Self-Aligner Equal Trougher

Belt Width	6" Roll Dia					7" Roll Dia				
	Part Number	E	H	K	WT	Part Number	E	H	K	WT
36	E6-45TESA-36SB	20 1/2	32 9/16	11 1/8	224	E7-45TESA-36SB	20 7/8	31 7/8	11 5/8	234
42	E6-45TESA-42SB	21 15/16	37 3/8	11 1/8	244	E7-45TESA-42SB	22 1/4	36 11/16	11 5/8	255
48	E6-45TESA-48SB	23 7/8	44 1/16	11 1/8	285	E7-45TESA-48SB	24 1/4	43 5/16	11 5/8	299
54	E6-45TESA-54SB	25 5/16	48 7/8	11 1/8	309	E7-45TESA-54SB	25 5/8	48 1/8	11 5/8	324
60	E6-45TESA-60SB	26 11/16	53 11/16	11 1/8	333	E7-45TESA-60SB	27 1/16	52 15/16	11 5/8	349
66	E6-45TESA-66SB	29 1/4	58 9/16	12 1/4	358	E7-45TESA-66SB	29 9/16	57 13/16	12 3/4	374
72	E6-45TESA-72SB	30 5/8	63 3/8	12 1/4	416	E7-45TESA-72SB	31	62 5/8	12 3/4	434
84	E6-45TESA-84SB	33 7/16	73	12 1/4	465	E7-45TESA-84SB	33 13/16	72 5/16	12 3/4	486
96	E6-45TESA-96SB	36 5/16	82 5/8	12 1/4	515	E7-45TESA-96SB	36 5/8	81 15/16	12 3/4	539

# CEMA E Return Self-Aligner

For Idler Selection Guide see our website at <http://www.ppipella.com>, just click on Catalogs.



For Mounting Details, see pages 56 & 57.

Return Self-Aligner										*Guide Roll Shipped Unassembled	
Belt Width	6" Roll Dia		7" Roll Dia		Standard Dimensions				Wide Base		
	Part Number	WT	Part Number	WT	A	C	E	G	Aw	Cw	
36	E6-RSA-36SB	238	E7-RSA-36SB	244	45	50 1/2	7	40	51	56 1/2	
42	E6-RSA-42SB	253	E7-RSA-42SB	260	51	56 1/2	7	46	57	62 1/2	
48	E6-RSA-48SB	270	E7-RSA-48SB	279	57	62 1/2	7	52	63	68 1/2	
54	E6-RSA-54SB	285	E7-RSA-54SB	294	63	68 1/2	7	58	69	74 1/2	
60	E6-RSA-60SB	302	E7-RSA-60SB	313	69	74 1/2	7	64	75	80 1/2	
66	E6-RSA-66SB	323	E7-RSA-66SB	333	75	80 1/2	7	70	81	86 1/2	
72	E6-RSA-72SB	329	E7-RSA-72SB	342	81	86 1/2	7	76	87	92 1/2	
84	E6-RSA-84SB	361	E7-RSA-84SB	375	93	98 1/2	7	88	99	104 1/2	
96	E6-RSA-96SB	388	E7-RSA-96SB	404	105	110 1/2	7	100	111	116 1/2	

Return Rubber Disc Self-Aligner										
Belt Width	6" Roll Dia		7" Roll Dia		Standard Dimensions				Wide Base	
	Part Number	WT	Part Number	WT	A	C	E	G	Aw	Cw
36	E6-RRDSA-36SB	271	E7-RRDSA-36SB	274	45	50 1/2	7	40	51	56 1/2
42	E6-RRDSA-42SB	292	E7-RRDSA-42SB	293	51	56 1/2	7	46	57	62 1/2
48	E6-RRDSA-48SB	313	E7-RRDSA-48SB	318	57	62 1/2	7	52	63	68 1/2
54	E6-RRDSA-54SB	333	E7-RRDSA-54SB	349	63	68 1/2	7	58	69	74 1/2
60	E6-RRDSA-60SB	355	E7-RRDSA-60SB	370	69	74 1/2	7	64	75	80 1/2
66	E6-RRDSA-66SB	380	E7-RRDSA-66SB	393	75	80 1/2	7	70	81	86 1/2
72	E6-RRDSA-72SB	391	E7-RRDSA-72SB	397	81	86 1/2	7	76	87	92 1/2
84	E6-RRDSA-84SB	433	E7-RRDSA-84SB	438	93	98 1/2	7	88	99	104 1/2
96	E6-RRDSA-96SB	471	E7-RRDSA-96SB	477	105	110 1/2	7	100	111	116 1/2

For Idler Replacement Parts & Special Mounting Brackets, download our Idler Replacement Parts Catalog at <http://www.ppipella.com>

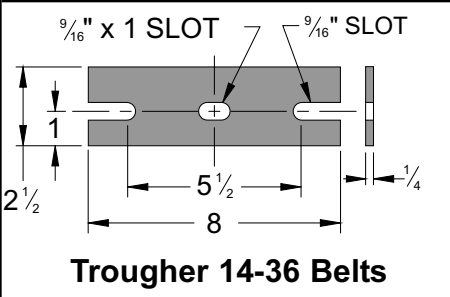
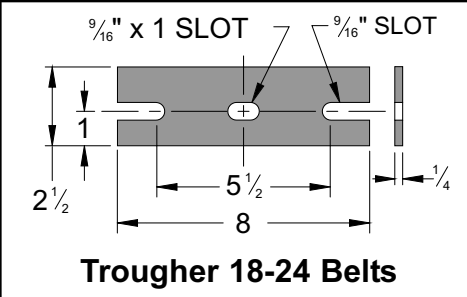
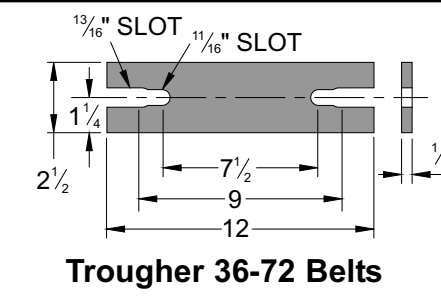
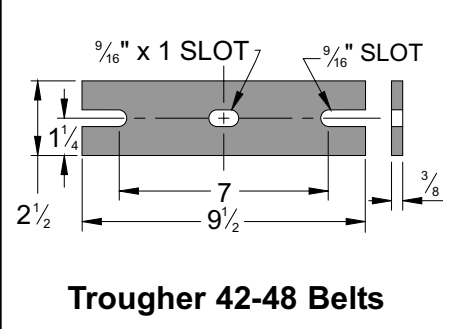
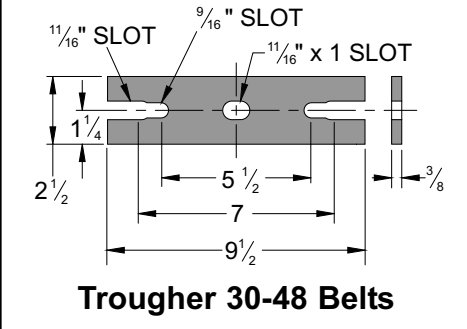
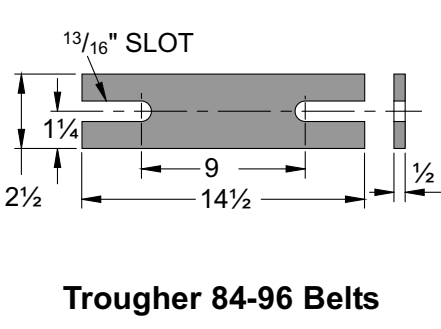
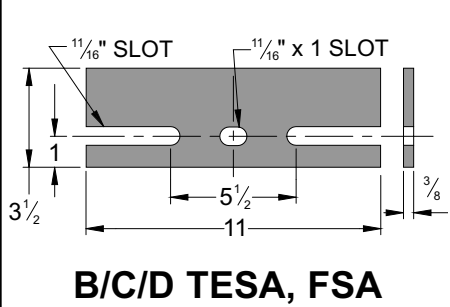
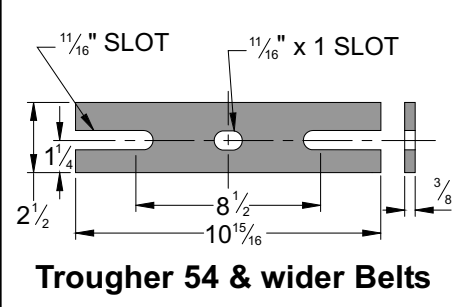
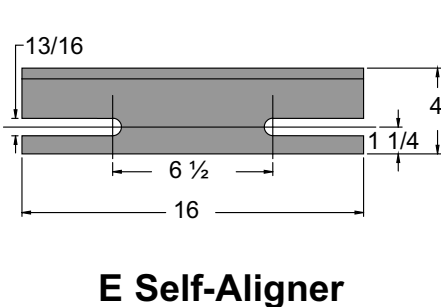
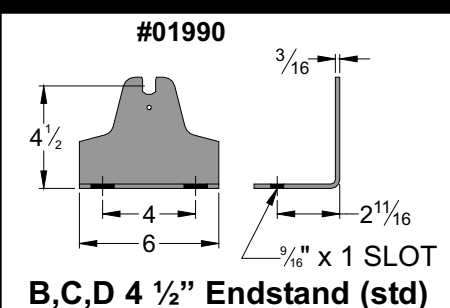
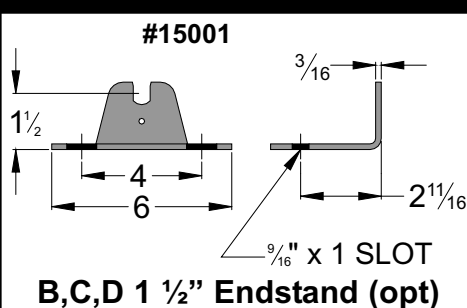
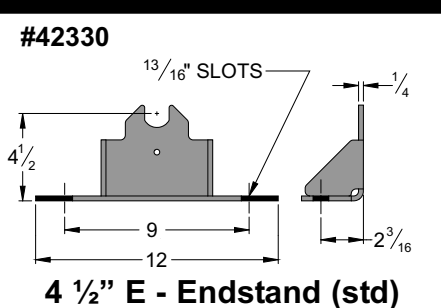
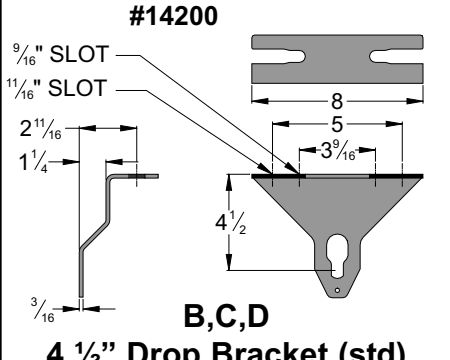
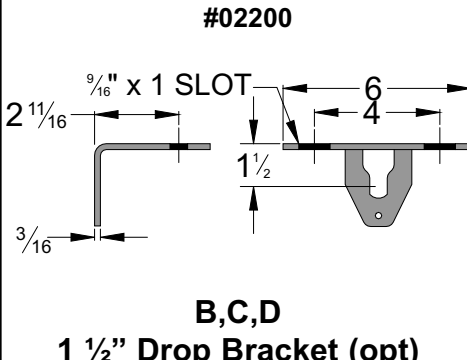
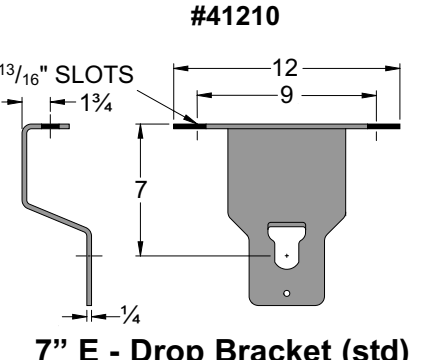
For Wide Base Option, add WB to end of the part number.



Subject to change without notice

E

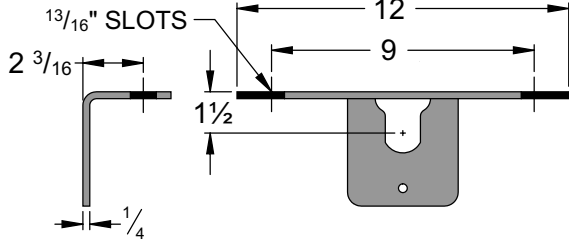
# Mounting Details - Footpads & Brackets

CEMA B Details	CEMA C/D Details	CEMA E Details
 <p><b>Trougher 14-36 Belts</b></p>	 <p><b>Trougher 18-24 Belts</b></p>	 <p><b>Trougher 36-72 Belts</b></p>
 <p><b>Trougher 42-48 Belts</b></p>	 <p><b>Trougher 30-48 Belts</b></p>	 <p><b>Trougher 84-96 Belts</b></p>
 <p><b>B/C/D TESA, FSA</b></p>	 <p><b>Trougher 54 &amp; wider Belts</b></p>	 <p><b>E Self-Aligner</b></p>
 <p><b>#01990 B,C,D 4 1/2" Endstand (std)</b></p>	 <p><b>#15001 B,C,D 1 1/2" Endstand (opt)</b></p>	 <p><b>#42330 4 1/2" E - Endstand (std)</b></p>
 <p><b>#14200 B,C,D 4 1/2" Drop Bracket (std)</b></p>	 <p><b>#02200 B,C,D 1 1/2" Drop Bracket (opt)</b></p>	 <p><b>#41210 7" E - Drop Bracket (std)</b></p>

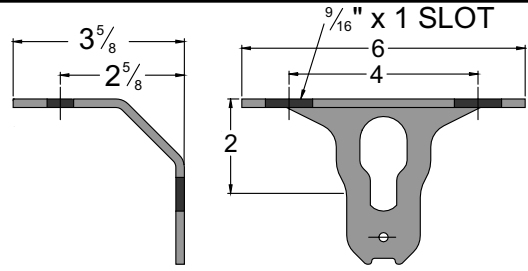
REF.



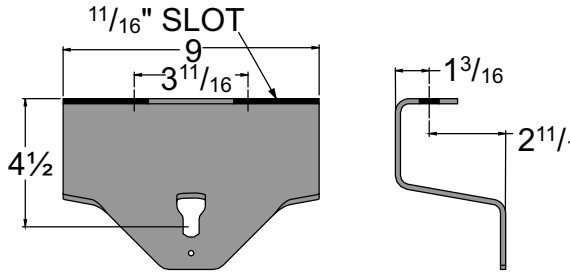
# Mounting Details - Footpads & Brackets



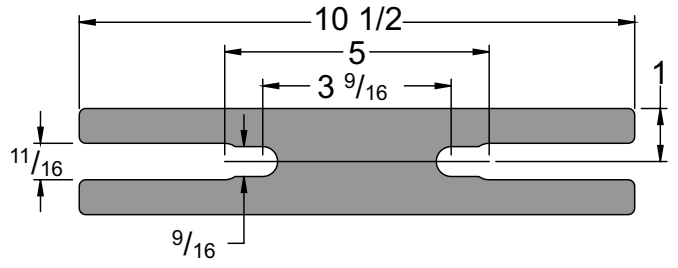
**1 1/2" E - Drop Bracket (opt) - #41211**



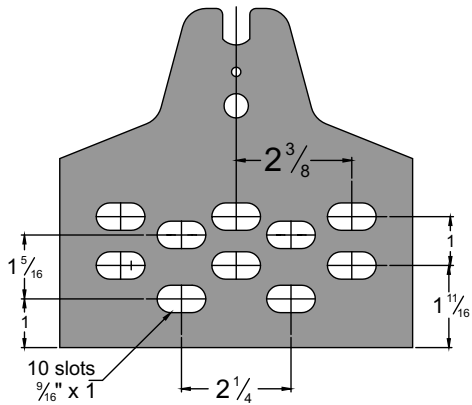
**2" CIT Drop Bracket (std) - #24390**



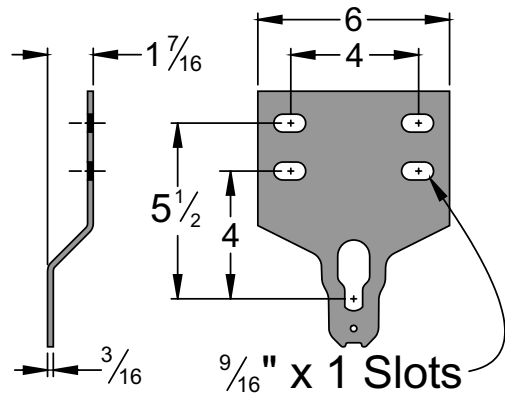
**4 1/2" BeltSaver II Drop Bracket (opt) - #14207**



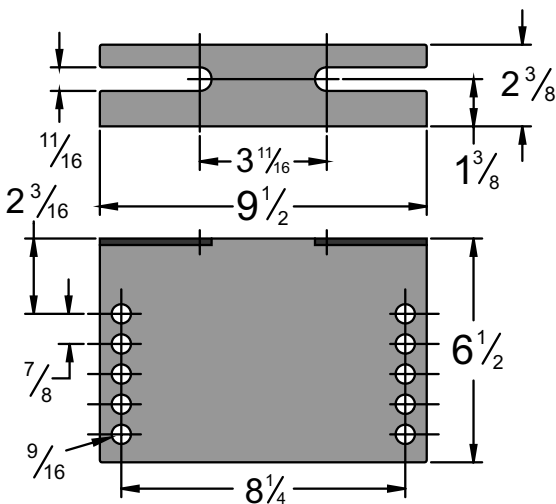
**C/D V-Return FootPad**



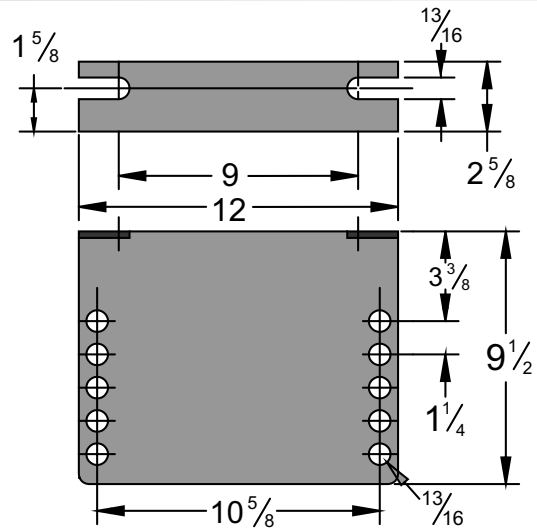
**CEMA C - CIT End Bracket (std)**



**4" CIT Web Drop Bracket (opt) - #30640**



**4 1/2" C/D - IVR Drop Bracket**



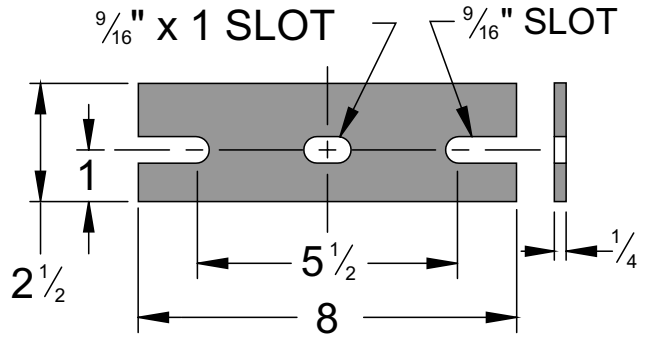
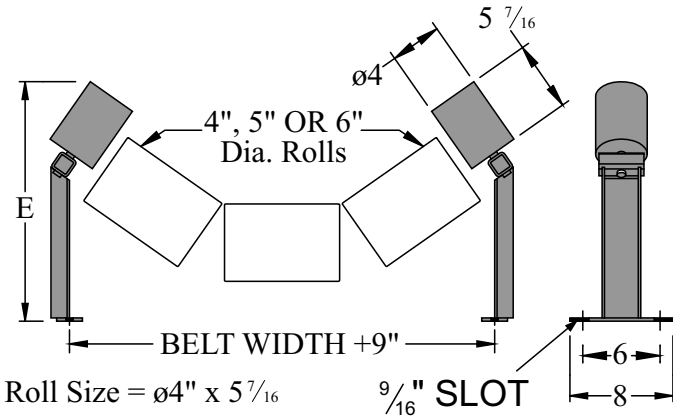
**7" E - IVR Drop Bracket**

For non-standard brackets & replacement parts, check out our Idler Replacement Parts Catalog on our website at <http://www.ppipella.com>

Subject to change without notice

800.247.1228  
www.ppipella.com **PPI**  
Employee Owned

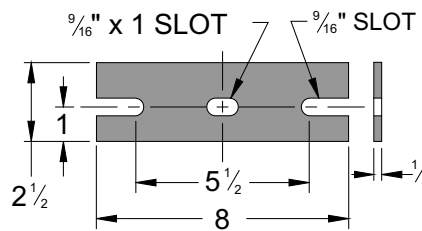
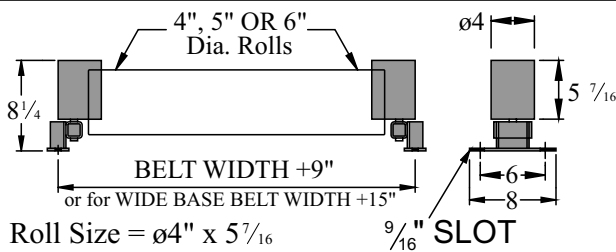
# Guide Rollers



## GRT - Guide Roller Troughed Belt with Mounting Bracket

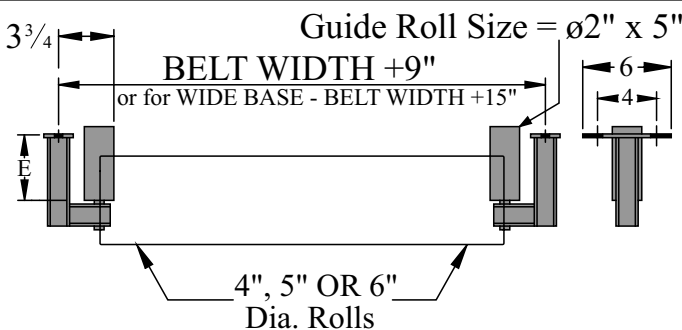
Belt Width	20° Trough				35° Trough				45° Trough			
	Description	Part Number	Height "E"	WT	Description	Part Number	Height "E"	WT	Description	Part Number	Height "E"	WT
14	GRT-20-14	13911	11 13/16	7	GRT-35-14	14161	13 13/16	7	GRT-45-14	23390	14 13/16	8
16	GRT-20-16	13912	11 13/16	7	GRT-35-16	14162	13 13/16	7	GRT-45-16	23391	14 13/16	8
18	GRT-20-18	13900	13 11/16	7	GRT-35-18	14110	16 1/8	8	GRT-45-18	23392	17 1/8	9
20	GRT-20-20	13960	14	7	GRT-35-20	14170	16 5/8	8	GRT-45-20	23393	17 5/16	9
24	GRT-20-24	13910	14 7/16	7	GRT-35-24	14120	17 3/8	9	GRT-45-24	23394	18 11/16	10
30	GRT-20-30	13920	15 3/16	8	GRT-35-30	14130	18 5/8	9	GRT-45-30	23395	20 3/16	10
36	GRT-20-36	13930	15 15/16	8	GRT-35-36	14140	19 3/16	9	GRT-45-36	23396	22 1/16	14
42	GRT-20-42	13940	17 1/16	8	GRT-35-42	14150	21 1/2	10	GRT-45-42	24570	24 5/8	15
48	GRT-20-48	13950	17 13/16	9	GRT-35-48	14160	22 3/4	10	GRT-45-48	23397	25 1/16	16
54	GRT-20-54	28040	18 1/2	9	GRT-35-54	14163	23 15/16	14	GRT-45-54	23398	26 11/16	17
60	GRT-20-60	13913	19 1/8	9	GRT-35-60	14164	25 1/8	15	GRT-45-60	22740	28 1/8	18
72	GRT-20-72	13914	20 11/16	10	GRT-35-72	14165	27 9/16	17	GRT-45-72	23399	31 1/8	20

## GRF - Guide Roller Flat Belt with Mounting Bracket

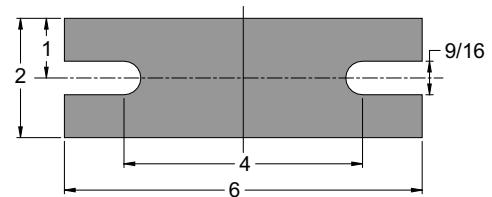


Part Number	WT
GRF	6

## GRR - Guide Roller Return with Mounting Bracket



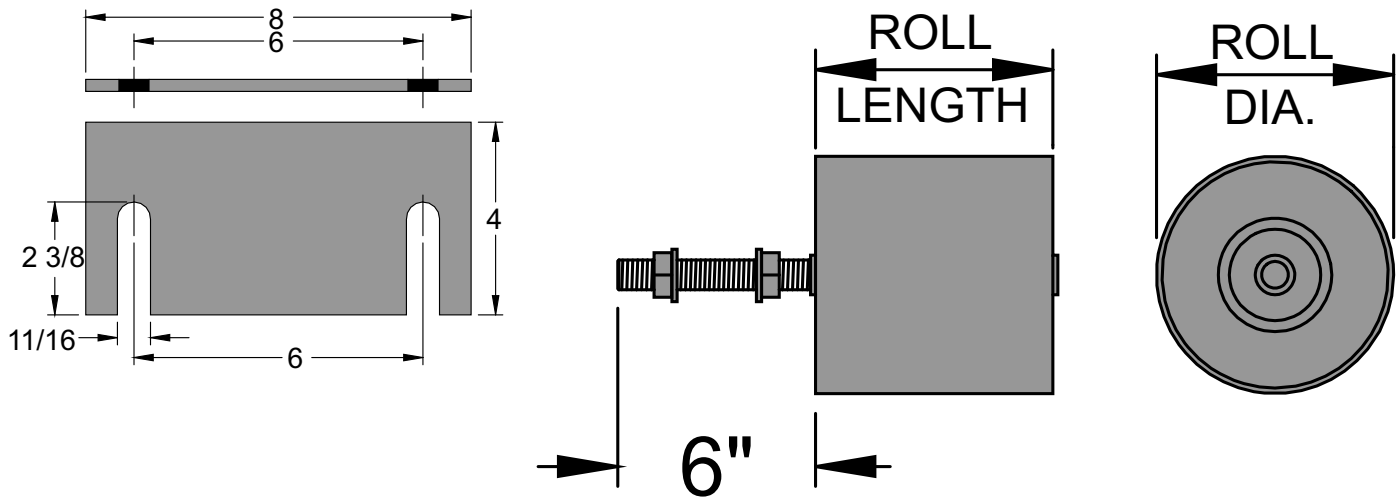
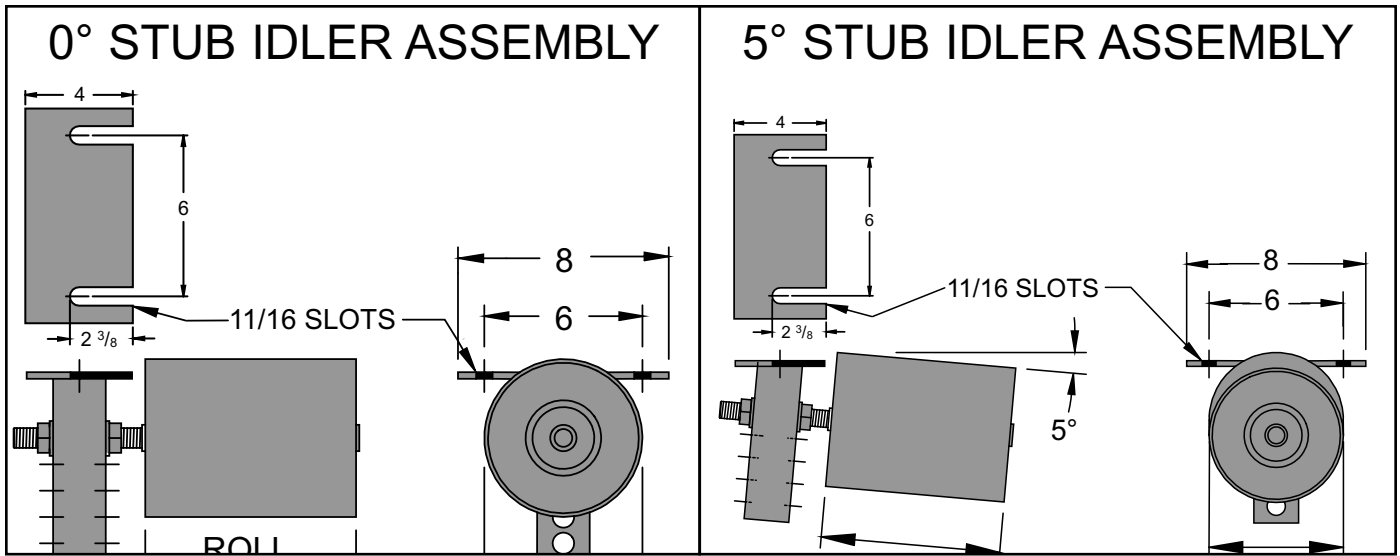
Part Number	Drop "E"	WT
GRR	4 1/2	6
GRR-1	1 1/2	5



Guide rollers above are sold individually, not by the pair. Guide rollers to be set clear of the belt edges so as to restrain the belt only when it strays. Guide rollers are not intended for use as belt training devices. Constant roller contact with the belt could result in belt and roller damage.

REF.

# Stub Idlers

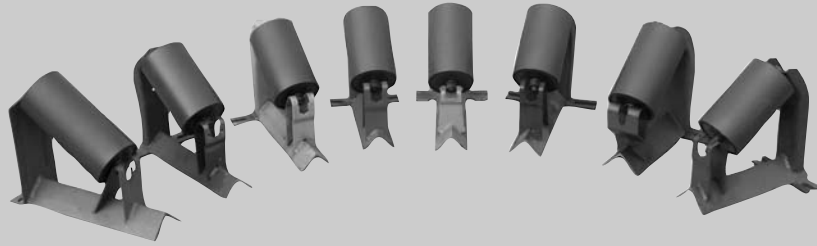


Stub Idler Part Numbers						"Special" Stub Idler Parts			
Diameter	Roll Length	Shaft Dia	Roll #	0° Assembly	5° Assembly	Diameter	Roll Length	Shaft Dia	Roll #
4"	4 1/2"	3/4"	34570	34850	34860	Roll with 5" shaft extension			
	5"		34571	34851	34861	5"	5"	3/4"	29330
5"	4 1/2"	3/4"	34580	34852	34862	Rolls with 1" diameter shaft			
	5"		34581	34853	34863	5"	5"	1"	40891
	6"		34582	34854	34864		6"		40892
	7"		33796	34855	34865		7"		40893
	8"		32970	34856	34866		8"		40894
6"	6"	3/4"	34592	34857	34867	6"	6"	1"	40900
	7"		34593	34858	34868		7"		40901
	8"		34594	34859	34869		8"		40902
Mounting Bracket only				34600	34610		11"		40903

Note: Mounting Brackets for 3/4" diameter shafts have 5 positions on 1 inch centers.

**Roll # includes Roll, Shaft & Nuts**

**REF.**

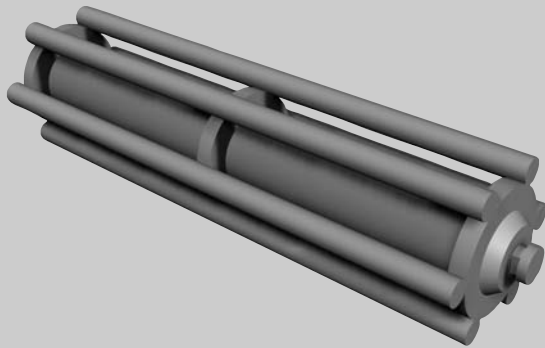
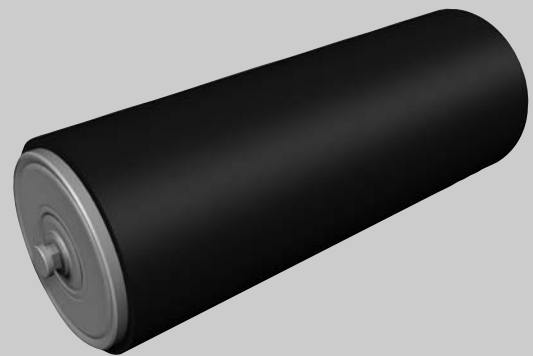


## Retro Rolls®

that fit different brands of CEMA B, C, D & E as well as ISO idlers.

## Roll Coverings

Roll Coverings are available in Poly, SBR, Neoprene to extend the life of a Precision Roll!

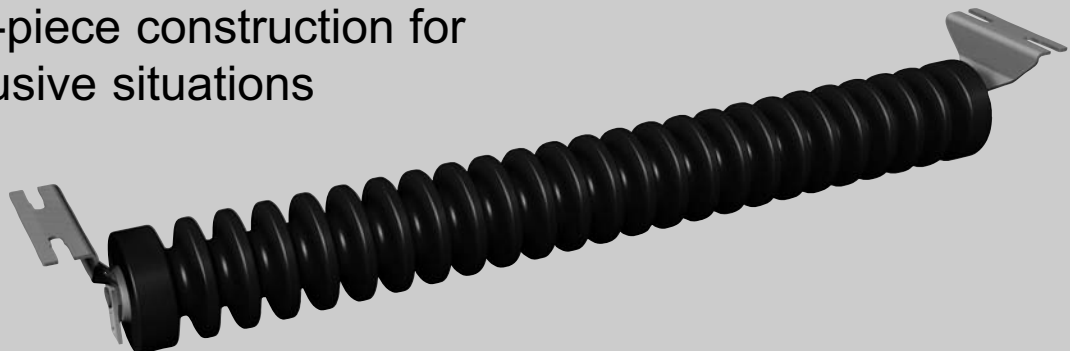


## Beater Bar Return

Precision Problems Solver  
Reduce Buildup

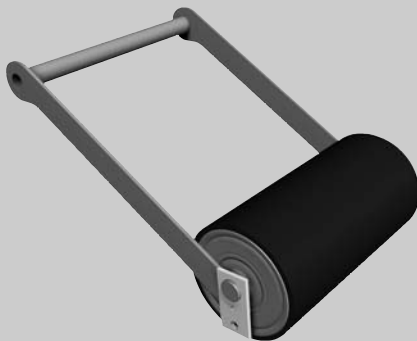
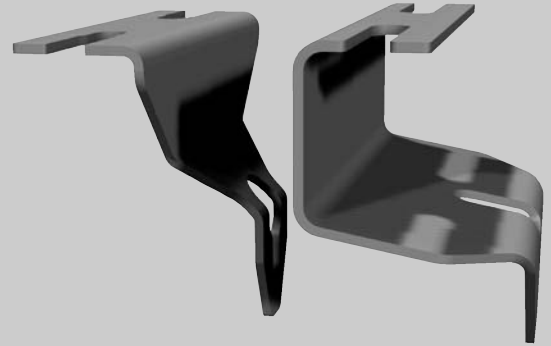
## Return Rubber Grooved

Rugged 1-piece construction for abusive situations



## BeltSaver™ II

Protect your Belt from Rubbing,  
Uses Standard Rolls

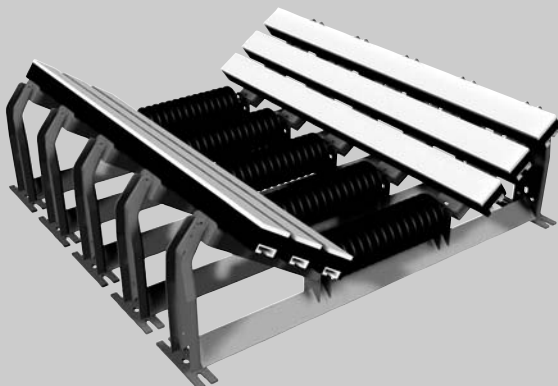
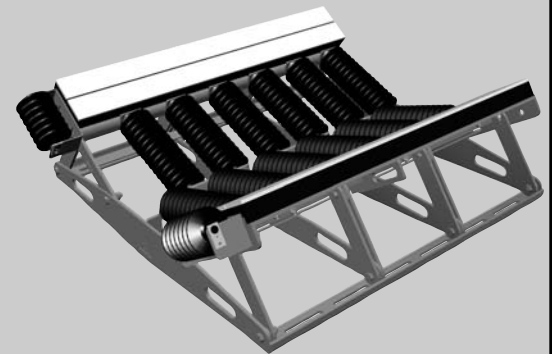


## Smart Roll™

Belt Speed indicator with Sensor  
Protection, Overload Protection,  
Multifunction, Maintenance Free

## Impact System

Rugged multiaction shock  
absorption system that reduces  
impact damage to your belt!



## Slider Beds

Rugged Retro-Fit Sliders that  
fit standard Precision Frames!

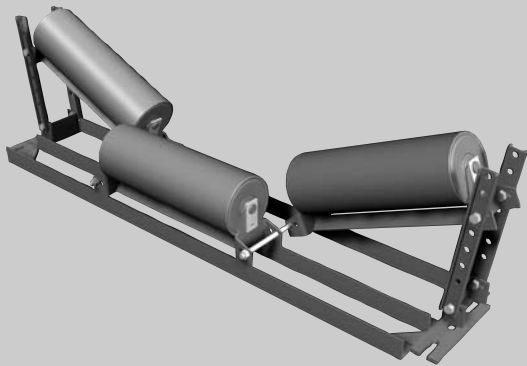


## Return Roll Guard

Available in 1½ & 4½ drop,  
as well as Heavy Duty

## Scale Quality Rolls

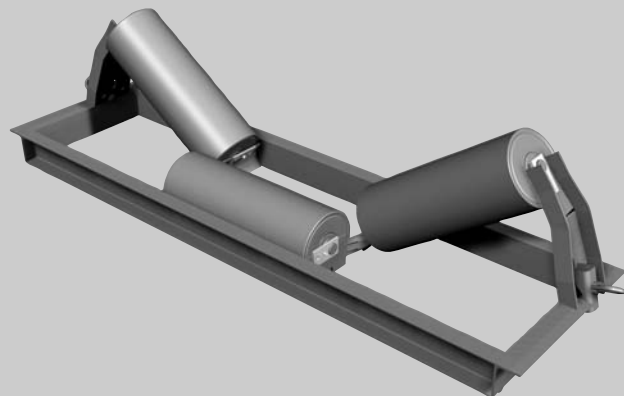
Precision's unique  
manufacturing process produces  
scale quality rolls without  
reducing roll thickness!



## Transition Equal Troughers - TET

Adjustable Troughing Angle for  
Belt Transitions

**Wire Rope Idlers**  
attach to steel cable or rigid  
channel frames.





# TERMS & CONDITIONS

- WARRANTY:** **Standard Product:** Precision warrants, to the original purchaser only, that the standard products it manufactures are free from defects in materials and workmanship, when used under normal load and operating conditions and maintained properly. The duration of this warranty is 12 months from the date of delivery. During this 12 month period, if the Purchaser discovers that the product is defective in materials or workmanship, it must promptly notify Precision in writing. Any such notification must be received no later than 13 months from the date of delivery. Within a reasonable period after timely notification, Precision at its option, will (i) correct any defect in materials or workmanship by repair or replacement of the defective product or (ii) refund the purchase price. These remedies are the Purchaser's EXCLUSIVE remedies for the breach of the foregoing warranty.
- Precision shall have the right to require the Purchaser to deliver the allegedly defective product to it for testing, repair, or replacement. Precision shall not be responsible for any expenses associated with the removal of the product from its application for such delivery. All expenses for in-coming and out-going freight shall be borne by the Purchaser.
- Warranties shall not apply to any Product which has been subject to misuse, misapplication (including, but not limited to loading information as provided in Precision's Catalog(s)), neglect (including, but not limited to improper maintenance and storage), accident, improper installation, modification (including but not limited to use of unauthorized parts or attachments) adjustment, repair, or lubrication. Misuse also includes, but is not limited to, deterioration in the Product or part caused by chemical action or wear caused by the presence of abrasive materials (e.g. contamination), and improper lubrication. Identifiable items manufactured by others but installed in or affixed to our Products are not warranted by us, but bear only those warranties, express or implied, give by the manufacturer of that item, if any. Precision Pulley & Idler cannot be held responsible for performance of lubricants. Lubricant specifications, performance, and lubricant guarantees are the responsibility of the lubricant manufacturer. Responsibility for system design and procedures to insure proper storage, installation, operation, maintenance, and application of products within their published specifications, including but not limited to, analysis of loads created by vibrations within the system regardless of how induced, shall rest solely with the customer.
- DISCLAIMER OF WARRANTIES:** **THE FOREGOING WARRANTIES ARE IN LIEU OF ALL OTHER WARRANTIES, EITHER EXPRESS OR IMPLIED, INCLUDING BUT NOT LIMITED TO THE IMPLIED WARRANTIES OF MERCHANTABILITY AND FITNESS FOR PARTICULAR PURPOSE.**
- LIMITATION OF WARRANTIES:** Precision's liability on any claim of any kind whatsoever shall in no case exceed the purchase price of the product(s) which gave rise to the claim. The Purchaser shall be responsible for any and all expenses, losses, or delays incurred in removing any defective part from the Purchaser's application of that product. **IN NO EVENT SHALL PRECISION BE LIABLE FOR ANY SPECIAL, INCIDENTAL, CONSEQUENTIAL, OR PUNITIVE DAMAGES BASED UPON BREACH OF WARRANTY, BREACH OF CONTRACT, NEGLIGENCE, STRICT TORT OR ANY OTHER LEGAL THEORY.**
- RETURNS:** Precision products may not be returned without written authorization. Any and all expenses incurred in the return of the products shall be borne by the Purchaser.
- LIMITATION OF ACTIONS:** Any claim for breach of warranty must be presented within 13 months following delivery of the products. Any action for breach of warranty must be commenced within 24 months following delivery of the products.
- PRICES:** All prices are subject to change without notice. All prices are exclusive of any local, state, or federal taxes. Where local, state, or federal taxes are applicable, such taxes shall be paid by the Purchaser.
- TERMS:** Except as otherwise provided on the invoice, terms are cash net 30 days from the date of the invoice. Any applicable discount will be so listed on the invoice. A minimum order of \$50.00 is required.
- ACCEPTANCE:** All orders are accepted upon the condition that the Purchaser agrees to be bound by the terms and conditions of sale contained herein. Any terms and conditions in the Purchaser's order which deletes from, alters, or adds to the terms and conditions herein will not be binding upon Precision unless such terms and conditions are expressly agreed to in writing by Precision.
- SHIPPING:** All shipments will be shipped F.O.B. Pella, Iowa, freight collect. Precision's responsibility for damage, breakage, or loss ceases upon delivery of the products to the freight carrier. Any claims due to damage, breakage, or loss in this regard should be made to the freight carrier.
- CANCELLATION:** In the event of cancellation of an order, the Purchaser shall be liable for the reasonable costs and expenses incurred by Precision prior to notice of cancellation of the order.
- SAFETY DEVICES:** Precision products are provided with only those safety devices identified on the invoice. It is the responsibility of the Purchaser to furnish appropriate guards for machinery parts in compliance with the applicable OSHA and state regulations, as well as any other safety devices desired by Purchaser.
- WAIVER:** No representative of ours has any authority to waive, alter, vary, or add to the terms hereof without prior approval in writing to our customer, signed by an officer of our company. It is expressly agreed that the entire warranty given to the customer is embodied in this writing, that this writing constitutes the final expression of the parties agreement with respect to warranties, and that it is a complete and exclusive statement of the terms of the warranty.



Copyright © 2006-2010, Precision Pulley & Idler, All Rights Reserved



**Corporate Office**  
PO Box 287  
Pella, IA 50219  
[www.ppipella.com](http://www.ppipella.com)

800.247.1228  
641.628.3115  
fax 641.628.3658

**West Coast  
Service Center**  
Sacramento, CA  
800.821.9798  
fax 916.386.0545

**Southwest  
Service Center**  
Fort Worth, TX  
800.247.1228  
fax 641.628.3658

**Northeast  
Service Center**  
Lewisberry, PA  
800.247.1228  
fax 641.628.3658

**Southeast  
Service Center**  
Cleveland, TN  
800.247.1228  
fax 641.628.3658